

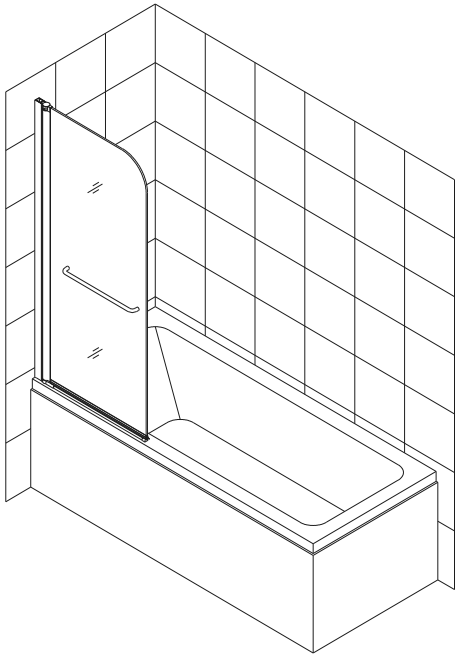


# AQUASWING

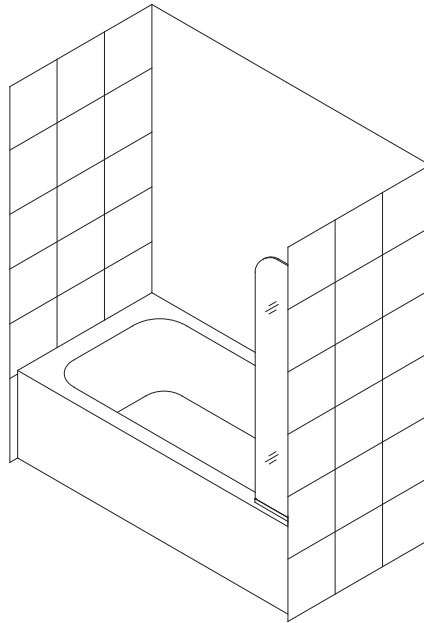
## TUB DOOR AND TUB DOOR GLASS PANEL INSTALLATION INSTRUCTIONS

### IMPORTANT

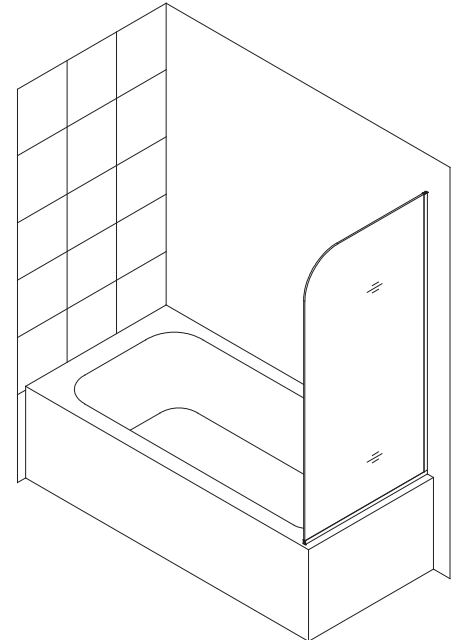
DreamLine® reserves the right to alter, modify or redesign products at any time without prior notice. For the latest up-to-date technical drawings, manuals, warranty information or additional details please refer to your model's web page on [DreamLine.com](http://DreamLine.com)



*Left hand installation shown*



**9" x 58" Extender Panel (EX)**



**30" x 58" Return Panel (RT)**

STEP 1: Install Tub Door

[Tub Door Installation Instructions](#)

STEP 2: Install Tub Door Glass Panel

[Tub Door Glass Panel Installation Instructions](#)

Right hand installation shown

Please read these instructions carefully before installing. If you have any questions regarding installation, please contact our technical support specialists Monday through Friday 8:00 AM – 7:00 PM EST at Phone: 1-866-731-2244, Fax: 1-866-857-3638 or e-mail our technical support group at [Support@DreamLine.com](mailto:Support@DreamLine.com)

For more information about DreamLine® Shower Doors & Tub Doors please visit [DreamLine.com](http://DreamLine.com)

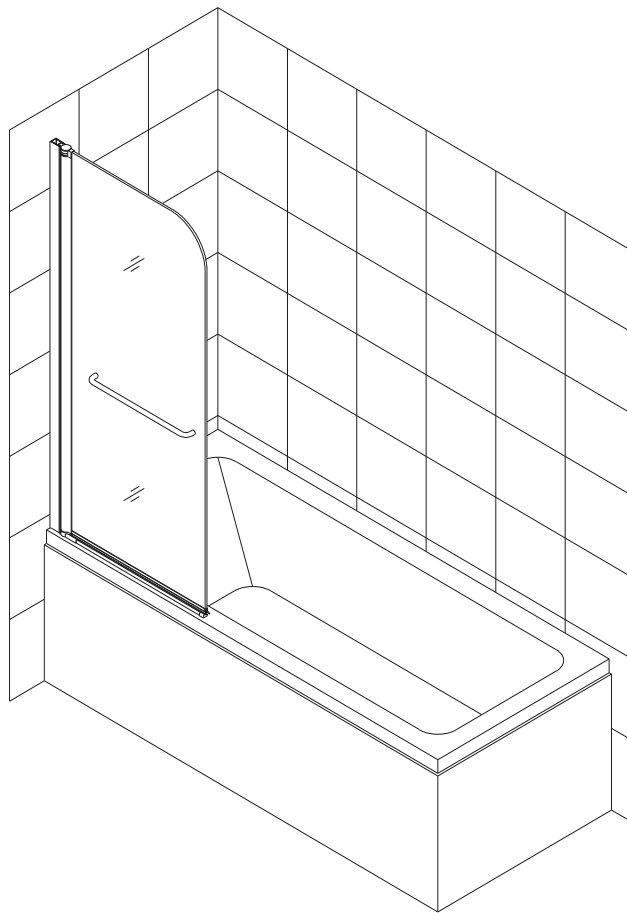


MODEL NAME: **AQUASWING**

## SHOWER DOOR INSTALLATION INSTRUCTIONS

### IMPORTANT

DreamLine™ reserves the right to alter, modify or redesign products at any time without prior notice. For the latest up-to-date technical drawings, manuals or any other details please refer to your model's web page on [BathAuthority.com](http://BathAuthority.com).



*Left hand installation shown*

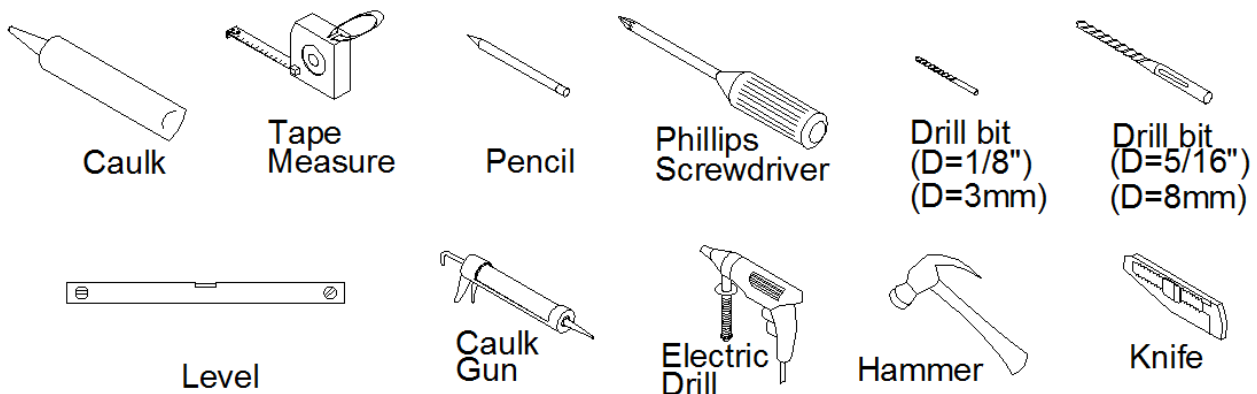
**Please read these instructions carefully before installing. If you have any questions regarding installation, please contact our technical support specialists Monday through Friday 8:00 AM – 7:00 PM EST at Phone: 1-866-731-2244, Fax: 1-866-857-3638 or e-mail our technical support group at [Support@BathAuthority.com](mailto:Support@BathAuthority.com).**

**For more information about DreamLine™ Shower Doors & Tub Doors please visit [www.BathAuthority.com](http://www.BathAuthority.com)**

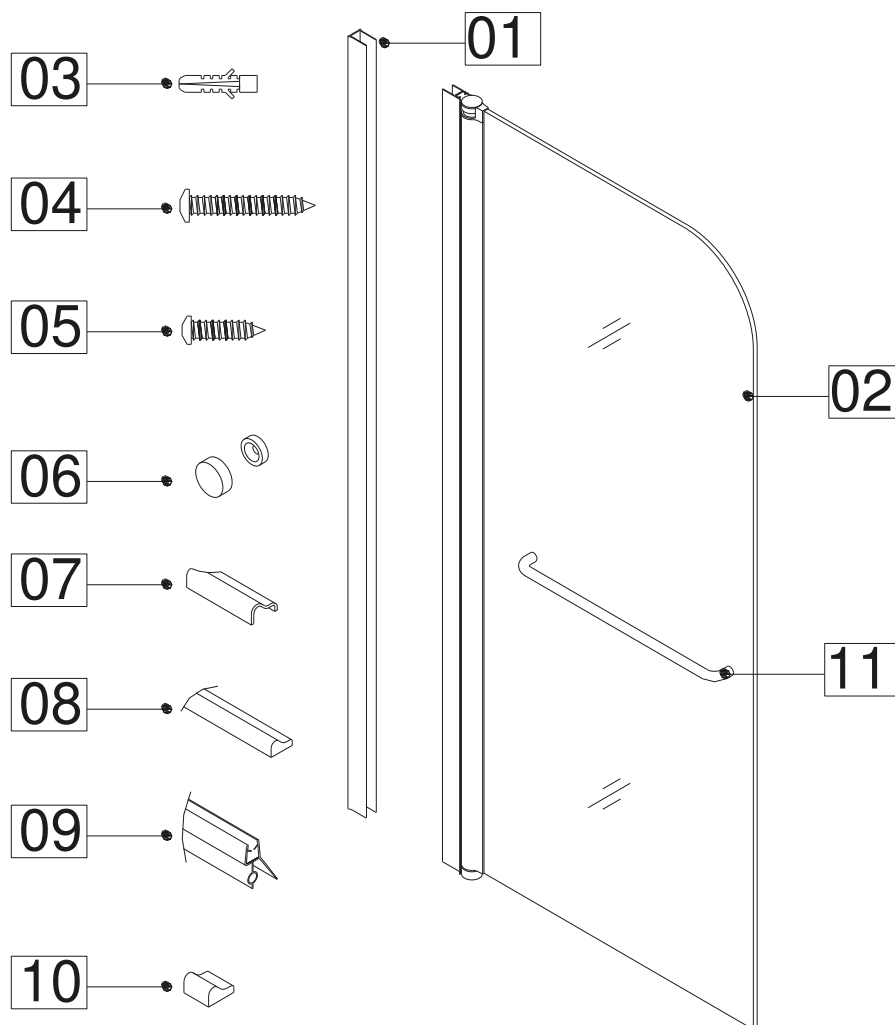
## Preparation

1. Prior to installation, examine all boxes and packages for shipping damage and compare piece count with your packing slip. After opening all boxes and packages, read this introduction carefully. Check that all of the needed parts are included in the package by marking all the components on the "Detailed Diagram of Shower Door Components". If the unit has been damaged, has a finishing defect, or has missing parts, please contact our customer support department within 10 business days of the delivery date. Please note that **DreamLine™ will not replace any damaged products or missing parts free of charge after 10 business days or if the product has been installed.** Feel free to contact DreamLine™ if you have any questions and provide a po#, name or other proof of purchase to help us identify your original order.
2. **Please note that you should consult your local building codes with questions on installation compliance standards. Building and plumbing codes may vary by location, and DreamLine is not responsible for code compliance standards for your project and will not accept any returns.**
3. Please make sure that prior to beginning the installation, the surfaces are leveled and solid and will be able to support the total weight of the unit. Also make sure the walls are at right angles. Irregular installation surface level or improper angle of side walls will result in serious problems for your installation. Please, note that some adjustments and drilling might be necessary during the installation process.
4. **This model has 1/2" of adjustment for out-of-plumb wall conditions within the wall profiles.**

## Tools Required



## Detailed Diagram of Shower door Components



### Packing list

01	Wall profile	1pc	07	Threshold connector (left/right)	1set
02	Glass door with Hinged glass profile	1set	08	Aluminum threshold	1pc
03	Wall anchor	4pcs	09	Bottom anti-water strip	1pc
04	Big head screw ST4.2×55	4pcs	10	Threshold end cover (left/right)	1set
05	Round head screw ST4.2×16	3pcs	11	Handle	1pc
06	Decorative plug and washer	3sets			

**NOTE:** Unpack your unit carefully and inspect it. Lay it out and identify all parts using the detailed diagram and packing list in your manual as a reference. Before discarding the carton, check for small hardware bags that tend to fall to the bottom of the box. If any parts are damaged or missing, please contact DreamLine™ for replacement. The shipping boxes may contain extra parts not used in your model configuration.

**NOTE:** Retain these installation instructions for future reference.

## **Shower door installation**

1. Prepare your finished opening for installation. Clean all surfaces and remove any debris or construction materials. See Fig 1.

**NOTE:** This model is reversible for left or right hand installation. This manual will show the left hand installation. For a right hand installation, simply begin on the opposite wall and reverse the orientation of the parts as necessary.

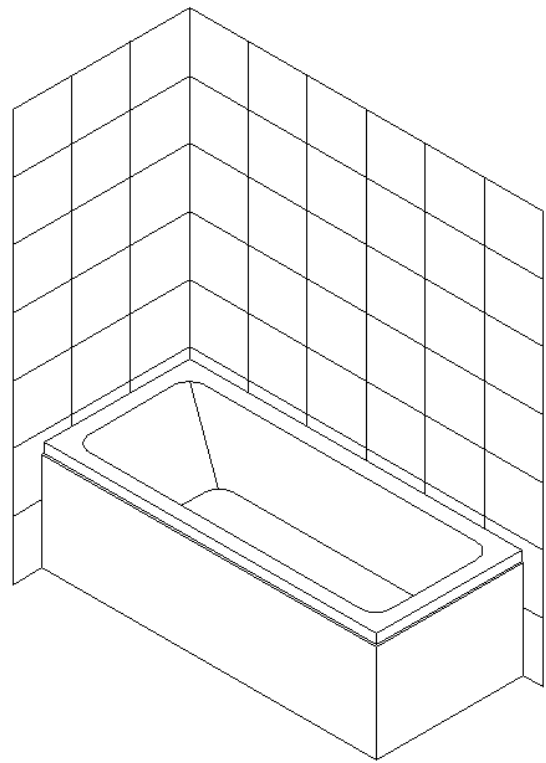


Fig 1

2. Using a level, position the **Wall profile (01)** on the tub deck and against the wall, in line with your threshold/tub deck. This unit requires 1" of flat threshold space for installation  
See Fig 2.

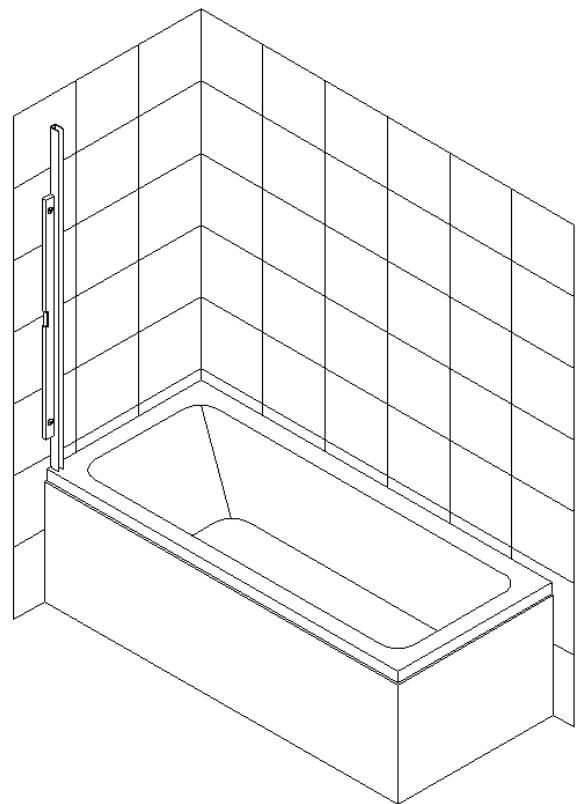


Fig 2

3. Mark the drill holes on the wall through the predrilled holes in the **Wall profile (01)**. Now drill holes in the wall using a **Φ5/16 drill bit** and insert the **Wall anchors (03)**. Apply silicone along the back of the **Wall profile** and into the drill holes. Fasten the **Wall profile** to the wall with the **Big head Screw ST4.2x40 (04)**. See Fig 3

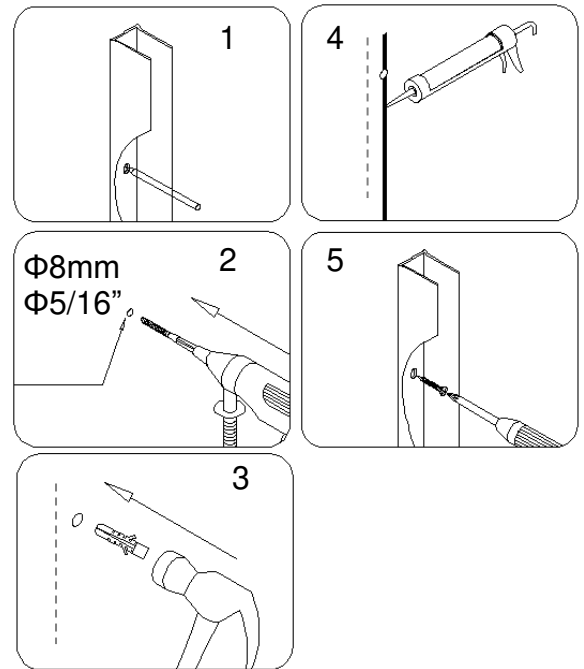


Fig 3

4. Slide the assembled **Glass door with Hinged glass profile (02)** into the groove of the **Wall profile (01)** and level it vertically (Fig 4.3). Make final adjustment (up to 1/2") if required keeping the door glass level. Drill the holes through the first layer of the **Wall profile (01)** and into the **Hinged glass profile** using an **Φ1/8 drill bit**. Secure the **Wall profile** and the **Hinged Glass profile** with the **Round head screws ST4.2x16 (05)** and washers. Cover the screw heads with the **Decorative Covers (06)**. See Fig 4

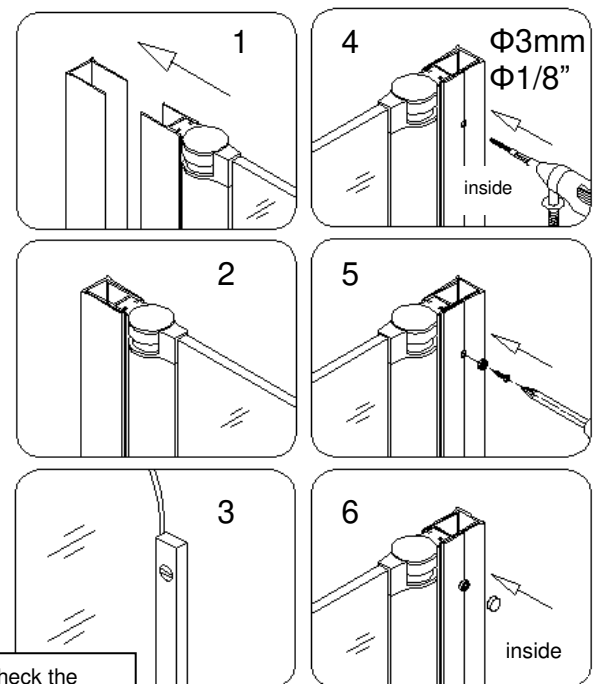


Fig 4

5. Snap the **Aluminum threshold (08)** into the **Threshold connector (07)** and **Threshold end cover (10)**.

*Left hand installation shown*

Run a bead of Waterproof silicone along the bottom of the **Aluminum threshold**. Attach the **Aluminum threshold** onto the tub, parallel to the tub edge with the **Threshold connector** tight to the bottom and even with the outside of the **Hinged glass profile** (Fig. 5.4). Run a bead of Waterproof silicone along the connection of the **Threshold connector** and Hinged glass profile. See Fig 5

**Note:** Allow the silicone to fully cure before operating the door to prevent dislodging the threshold from the tub deck. You may even consider using painter's tape or similar to hold the threshold tightly in place while it sets.

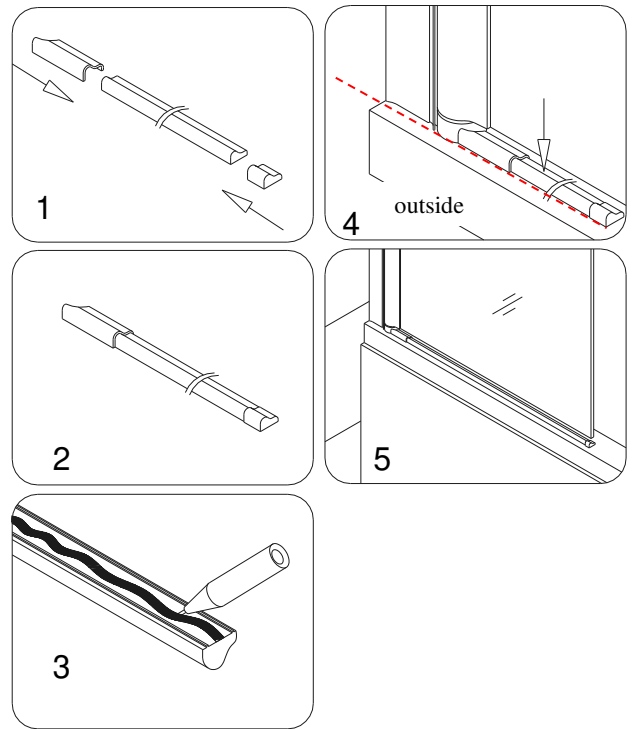


Fig 5

6. After the silicone fully sets, attach the **Bottom anti-water strip (09)** to the bottom edge of the **Glass door**.

See Fig 6

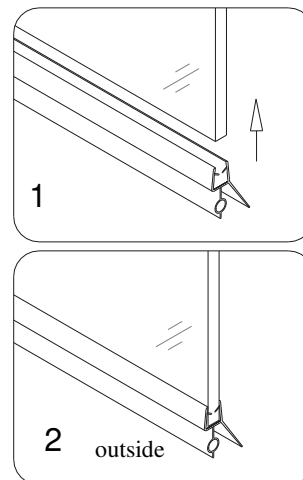


Fig 6

7. Mount the **Handle (11)** onto the outside of the **Glass door (02)**. See Fig 7 and Fig 8

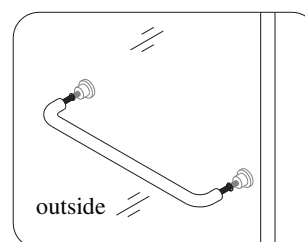


Fig 7

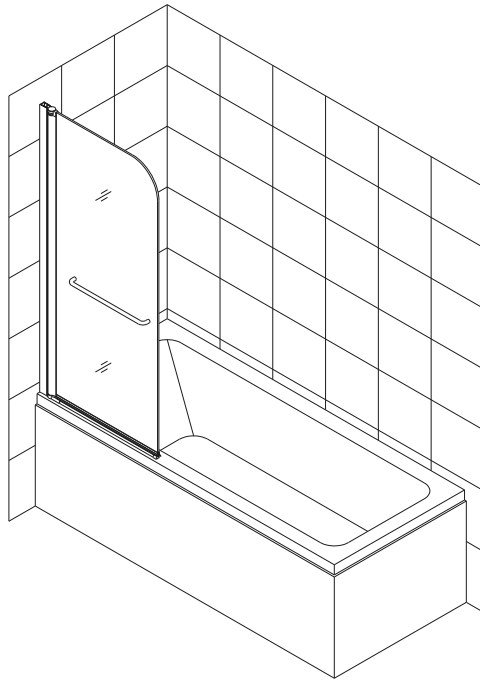


Fig 8

8. Allow 24 hours for the silicone to fully cure before using your new shower  
See Fig 9 and See Fig 10

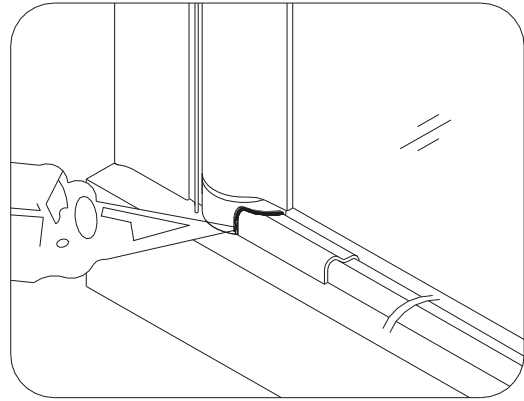


Fig 9

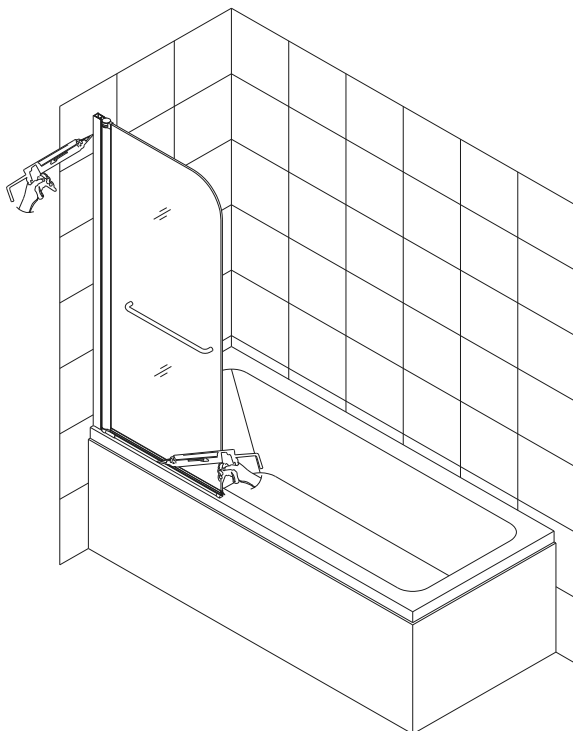
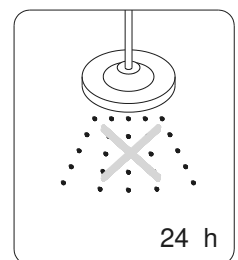
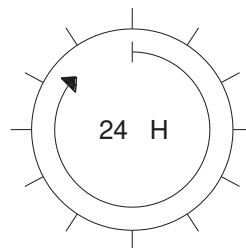


Fig 10



## **Maintenance**

**BASES and BACKWALLS:** To ensure long lasting life for your acrylic back walls: wipe them off after each use with a soft cloth. To clean the acrylic back walls use non-abrasive sprays or cream based cleaners. Never use abrasive cleansers, metal brushes or scrapers that could scratch or dull the surface.

**GLASS:** To ensure long lasting life for your glass shower products: wipe them off after each use with a soft cloth. Rinse and wipe off the glass using either a soft cloth or a squeegee to prevent soap buildup and water spots. Never use abrasive cleaners and cleaning products that contain scouring agents to prevent scratching the surface. Never use bristle brushes or abrasive sponges.

**HARDWARE:** To ensure a long lasting finish: wipe off the metal parts after each use with a soft cloth. Do not use abrasive cleaners or cleaning products containing ammonia, bleach or acid. If accidentally used, rinse the surface as soon as possible to prevent finish peeling or corrosion. After cleaning the shiny finishes, rinse thoroughly and wipe dry with soft cloth. Clean stainless steel surfaces at least once a week. When applying stainless steel cleaner or polish, work with (not across) the grain. Never use abrasive sponge or cloth, steel wool or wired brushes.

## DREAMLINE™ EXCLUSIVE LIMITED WARRANTY AS OF MAY 6, 2013

This warranty extends only to the original owner/end-user for household use only and is not transferable to a subsequent owner. This warranty extends for a designated period of time, so long as it remains in use in its original place of installation. This warranty applies only to DreamLine products purchased from an authorized dealer in United States or Canada. Proof of purchase (original sales receipt) from the original consumer purchase must be provided with all warranty claims.

**IN NO EVENT SHALL THE LIABILITY OF DREAMLINE EXCEED THE PURCHASE PRICE OF THE UNIT.**

DreamLine products must be installed by a fully insured and licensed professional. Installation of DreamLine product by anyone other than fully insured licensed professionals shall **VOID THE WARRANTY**. DreamLine recommends that such licensed professionals have experience in the installation of bathroom products. Installation of certain products, including, without limitation, glass products (i.e., shower and tub doors) by an inexperienced installer may result in glass breakage and, consequently, cause personal injury or death.

### PARTS ONLY WARRANTY

This warranty is extensive in that it covers replacement of all defects. LABOR CHARGES AND/OR DAMAGE INCURRED IN INSTALLATION, REPAIR, OR REPLACEMENT, AS WELL AS ANY OTHER KIND OF LOSS OR DAMAGE ARE EXCLUDED

### COMMERCIAL USE AND OTHER EXCLUSIONS

This warranty excludes all industrial, commercial and business usage, whose purchasers are hereby extended a one (1) year limited warranty from the date of purchase for shower and tub doors; a three (3) month limited warranty from the date of purchase for vanities and sinks, with all other terms of this warranty applying except the duration of the warranty. DREAMLINE JETTED AND STEAM SHOWER CABINS, DREAMLINE SHOWER COLUMNS AND DREAMLINE SHOWER SEATS ARE NOT INTENDED FOR COMMERCIAL USE AND THERE IS NO WARRANTY EXTENDED FOR THESE PRODUCTS FOR COMMERCIAL USE.

DreamLine hereby disclaims all warranties for products sold as dealer or store displays. DreamLine hereby disclaims all warranties for products used outside of the United States or Canada whether expressed or implied, including but not limited to the implied warranties of merchantability and fitness for a particular purpose.

### WARRANTY TERMS

DreamLine will, at its election, repair or replace the product found by DreamLine in its sole judgment, to be defective within the warranty period under normal residential use and maintenance. The replacement of a product is limited to supplying a replacement product or part (same as existing or if not available, comparable product). DreamLine warranty obligation shall be discharged upon tender of parts, replacement or repair of the product. Purchaser's refusal to accept the tender terminates all warranty obligations and **VOIDS THE WARRANTY**. Cost of freight for returning products to DreamLine for repairs or replacement under this limited warranty are the responsibility of the customer. Cost of freight associated with shipping of replacement product or parts to the customer may be charged to customer. Any product replaced or repaired during the warranty period will be covered only for the remaining period of the original warranty. In no event will DreamLine be liable for costs of repair or replacement of any installation material, including but not limited to tiles, marble, etc.

**DREAMLINE IS NOT RESPONSIBLE FOR INSTALLATION, REMOVAL OR REINSTALLATION COSTS OF ANY PRODUCT REQUIRING WARRANTY SERVICES.**

Any modification or alteration of any DreamLine products will void the warranty. DreamLine product installations and repairs must be performed by either a DreamLine authorized agent or a licensed, insured and experienced professional contractor - installation or repairs performed by any other party shall void the warranty. This warranty shall not apply to breakage or damages caused by normal wear and tear, fault, carelessness, abuse, misuse, misapplication, improper maintenance, alteration or modification of the unit, as well as chemical or natural corrosion, accident, fire, flood, act of God or any other casualty. Improper care and cleaning will void the warranty. Use of cleaners containing abrasive cleansers, ammonia, bleach, acids, waxes, alcohol, solvents or other products not recommended for chrome or similar finish, glass or acrylic will void the warranty. For additional product maintenance instructions please refer to product installation manual. DreamLine is not responsible for any issues arising in connection with errors or omissions in information provided on DreamLine's websites. The warranty does not extend to any non-DreamLine plumbing or components installed by installers, end users or by any party other than DreamLine.

**THE FOREGOING WARRANTIES ARE IN LIEU OF ALL OTHER WARRANTIES, EXPRESSED OR IMPLIED, INCLUDING BUT NOT LIMITED TO THE IMPLIED WARRANTIES OF MERCHANTABILITY AND FITNESS FOR A PARTICULAR PURPOSE. BATH AUTHORITY LLC ("DREAMLINE") AND/OR SELLER DISCLAIMS ALL LIABILITY FOR SPECIAL, INCIDENTAL OR CONSEQUENTIAL DAMAGES. DREAMLINE IS NOT LIABLE FOR PERSONAL INJURIES OR DEATH TO ANY PERSON OR FOR ANY DIRECT, SPECIAL, INCIDENTAL OR CONSEQUENTIAL DAMAGE, LOSS OF USE, LOSS OF TIME, LOSS OF PROFITS, INCONVENIENCE, INCIDENTAL EXPENSES, LABOR OR MATERIAL CHARGES, OR ANY OTHER COSTS RESULTING FROM THE USE OF ITS PRODUCTS OR PERTAINING TO THE APPLICATION OF THE PRESENT WARRANTY, OR RESULTING FROM THE REMOVAL OR REPLACEMENT OF ANY PRODUCT OR ELEMENT OR PART COVERED BY THIS WARRANTY.**

### PRODUCT WARRANTY PERIODS

DreamLine is not responsible for product code compliance or for verifying building code restrictions on installation or use and any such compliance is excluded from this warranty. DreamLine reserves the right to modify this warranty at any time - such warranty modifications will not alter the warranty applicable at the time of sale of the products in question. The warranty terms for specific products for consumer (non-industrial, non-commercial, non-business use only) are:

#### SHOWER BACKWALL, SHOWER CABINS (JETTED & STEAM)

DreamLine warrants shower backwalls and shower cabins to be free from defects in workmanship for a period of one (1) year from initial date of purchase by the owner/end-user, contractor or builder from an authorized dealer.

#### SHOWER & TUB DOORS, SHOWER ENCLOSURES

DreamLine warrants shower doors, tub doors and shower enclosures to be free from defects in workmanship and materials under normal residential use for a period of five (5) years from the initial date of purchase by the owner/end-user, contractor or builder from an authorized dealer. Warranty for plastic strips shall be limited to one (1) year. Warranty for any part in Oil Rubbed Bronze finish shall be limited to one (1) year.

#### SHOWER BASES

DreamLine warrants shower bases to be free from defects in workmanship and materials under normal residential use for as long as the original consumer purchaser owns their home in which their product is installed.

#### SHOWER COLUMNS

DreamLine warrants shower columns to be free from defects in workmanship and materials under normal residential use for a period of one (1) year from the initial date of purchase by the owner/end-user, contractor or builder from an authorized dealer.

#### SHOWER SEATS

DreamLine warrants shower seats to be free from defects in workmanship and materials under normal residential use for a period of one (1) year from the initial date of purchase by the owner/end-user, contractor or builder from an authorized dealer. Warranty shall be VOID if the shower seat is not professionally installed on a properly reinforced wall.

#### VANITIES AND VESSEL SINKS

DreamLine warrants bathroom vanities and vessel sinks to be free from defects in workmanship and materials under normal residential use for a period of one (1) year from the initial date of purchase by the owner/end-user, contractor or builder from an authorized dealer.

#### STATE LAWS AND THIS WARRANTY

Some states/provinces do not allow limitations on how long an implied warranty lasts, or the exclusion or limitation of special, incidental or consequential damages, so these limitations and exclusions may not apply to you. This warranty gives you specific legal rights. You may also have other rights, which vary from state/province to state/province.

### WARRANTY SERVICE

The following information will be required for you to file a Warranty claim:

1. Your name, address and telephone number
2. Product model number
3. Brief description of problem (please note that additional information such as photos may be required to fully process your warranty claim)
4. Proof of purchase

You may submit this information by e-mail, mail or fax to:

DreamLine  
Warranty Service Center  
75 Hawk Road  
Warminster, PA 18974  
F: 1 - 866 - 857 - 3638  
T: 1 - 866 - 731 - 2244  
[Warranty@BathAuthority.com](mailto:Warranty@BathAuthority.com)



---

TEL: [866-731-2244](tel:866-731-2244)

FAX: [866-857-3638](tel:866-857-3638)

[WWW.BATHAUTHORITY.COM](http://www.BATHAUTHORITY.COM)

For more information on [DreamLine™ Shower Doors](#) and [Enclosure](#) please visit [www.BathAuthority.com](http://www.BathAuthority.com)

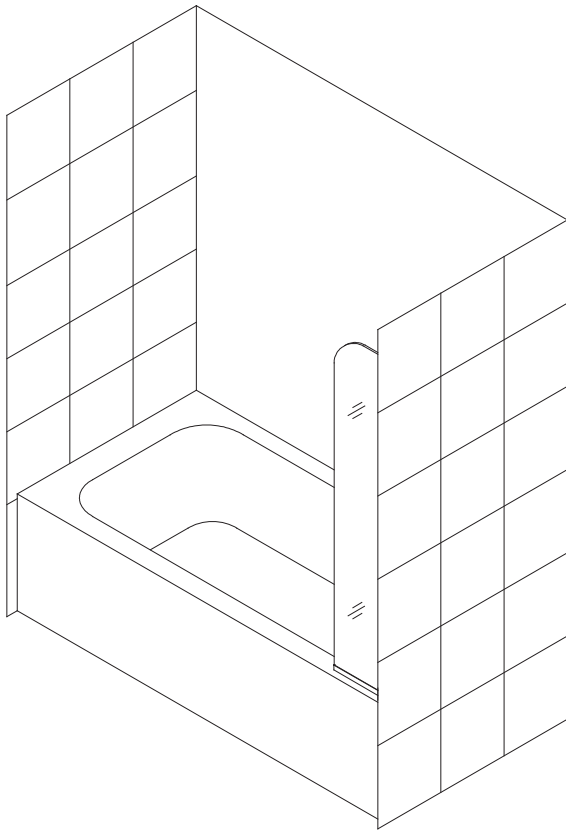


# EXTENDER Panel and RETURN Panel

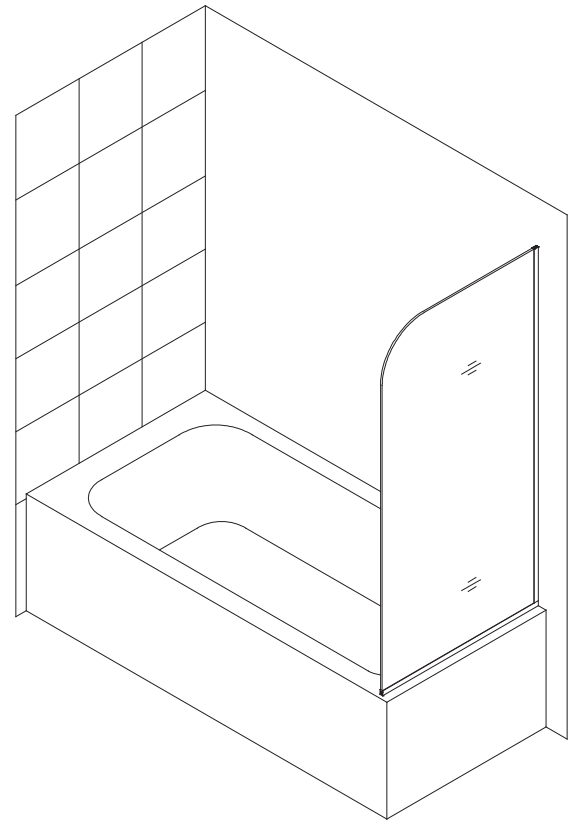
## EX / RT Stationary Panel Installation

### IMPORTANT

DreamLine® reserves the right to alter, modify or redesign products at any time without prior notice. For the latest up-to-date technical drawings, manuals, warranty information or additional details please refer to your model's web page on [DreamLine.com](http://DreamLine.com)



**9" x 58" Extender Panel (EX)**



**30" x 58" Return Panel (RT)**

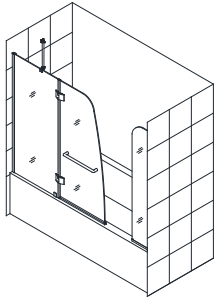
Right hand installation shown

Please read these instructions carefully before installing. If you have any questions regarding installation, please contact our technical support specialists Monday through Friday 8:00 AM – 7:00 PM EST at Phone: 1-866-731-2244, Fax: 1-866-857-3638 or e-mail our technical support group at [Support@DreamLine.com](mailto:Support@DreamLine.com)

For more information about DreamLine® Shower Doors & Tub Doors please visit [DreamLine.com](http://DreamLine.com)

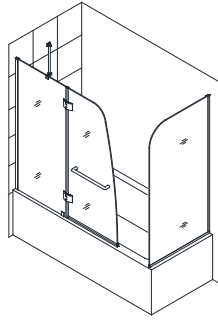
# AQUA series with Extender and Return panel Model #s:

Aqua Tub -EX



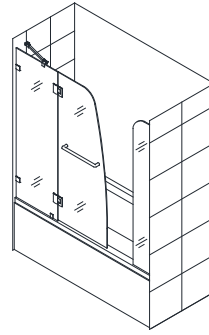
SHDR-3148586-EX-01  
SHDR-3148586-EX-04

Aqua Tub -RT



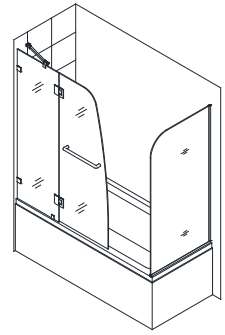
SHDR-3148586-RT-01  
SHDR-3148586-RT-04

AquaLux-Tub -EX



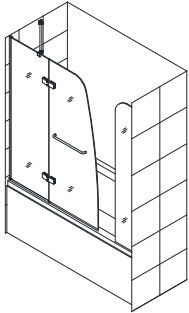
SHDR-3348588-EX-01  
SHDR-3348588-EX-04

AquaLux-Tub -RT



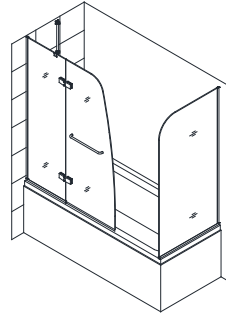
SHDR-3348588-RT-01  
SHDR-3348588-RT-04

Aqua-Ultra Tub-EX



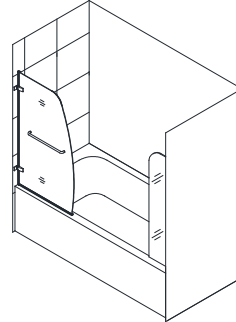
SHDR-3448580-EX-01  
SHDR-3448580-EX-04

Aqua-Ultra Tub-RT



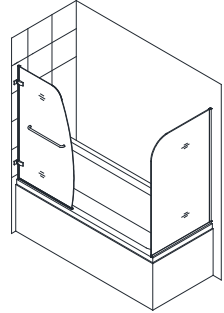
SHDR-3448580-R-01  
SHDR-3448580-R-04

Aqua Uno-Tub-EX



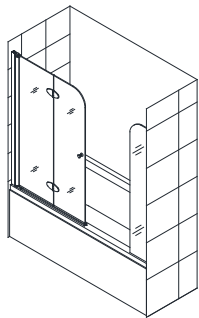
SHDR-3534586-EX-01  
SHDR-3534586-EX-04

Aqua Uno-Tub-RT



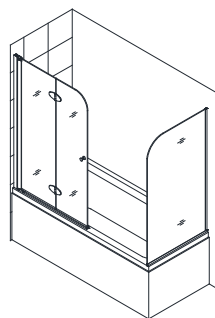
SHDR-3534586-RT-01  
SHDR-3534586-RT-04

Aqua Fold-Tub -EX



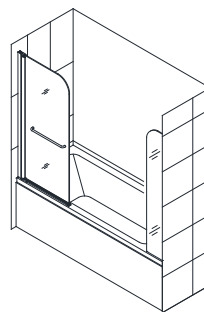
SHDR-3636580-EX-01

Aqua Fold-Tub -RT



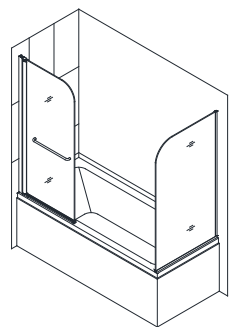
SHDR-3636580-RT-01

Aqua Swing-Tub-EX



SHDR-3734580-EX-01

Aqua Swing-Tub-RT



SHDR-3734580-RT-01

## Finish:

01- Chrome

04- Brushed Nickel

# Preparation

1. Prior to installation, examine all boxes and packages for shipping damage and compare the piece count with your packing slip. After opening all boxes and packages read this introduction carefully. Check that all of the needed parts are included in the package by checking off the components on the "Detailed Diagram of Shower Door Components". If the unit has been damaged, has a finishing defect, or has missing parts, please contact our customer support department within **3 business days** of the delivery date. **Please note that DreamLine® will not replace any damaged products or missing parts free of charge after 3 business days or if the product has been installed.** Feel free to contact DreamLine® if you have any questions and please provide an order number, job name or other proof of purchase to help us identify your original order.

2. **Please note that you should consult your local building codes with questions on installation compliance standards. Building and plumbing codes may vary by location, and DreamLine® is not responsible for code compliance standards for your project and will not accept any returns.**

3. If this unit is going to be installed in a new construction, please install all of the required plumbing and drainage before installing the shower. Use a competent and licensed (if required by local code) plumber for all plumbing installation.

4. Please make sure that prior to beginning the installation, the surfaces are leveled and solid and will be able to support the total weight of the unit. Also make sure the walls are at right angles. Irregular installation surface level, radius corners or improper angle of side walls will result in serious problems for your installation. Please, note that some adjustments and drilling might be necessary during the installation process.

5. Please protect all primary surfaces of the product during installation. Never set your glass down directly onto a tile floor. Leave corner protectors in place until necessary to remove them. Always use a piece of wood or cardboard to protect the bottom edge and corners of the glass prior to and during installation.

6. This unit must be installed upon a finished threshold and against finished walls.

7. This model allows for a maximum of 1/2" of adjustment for out-of-plumb wall conditions and 1/4" of adjustment for out-of-level conditions within the u-channel. Always use a level to verify the condition of your opening before proceeding with the installation.

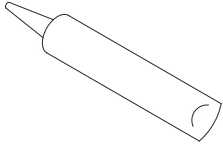
8. **This model requires that you drill into the threshold for proper installation.**

9. These panels require 5/8" of flat threshold space for installation.

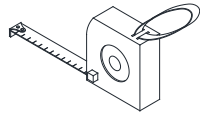
**This manual assumes that the Aqua Series tub door has already been installed.**

**NOTE:** These panels are reversible for left or right hand installation. This manual will show the right hand installation. For a lefthand installation, simply begin on the opposite wall and reverse the orientation of the parts as necessary.

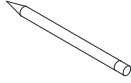
## Tools



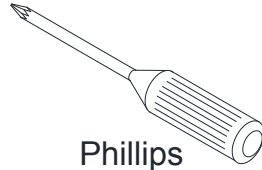
Caulk



Tape Measure



Pencil



Phillips Screwdriver



Drill bit (Ø=5/16")



Drill bit (Ø=1/8")



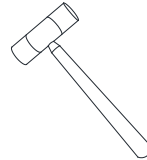
Level



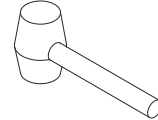
Caulk Gun



Power Drill



Hammer



Mallet



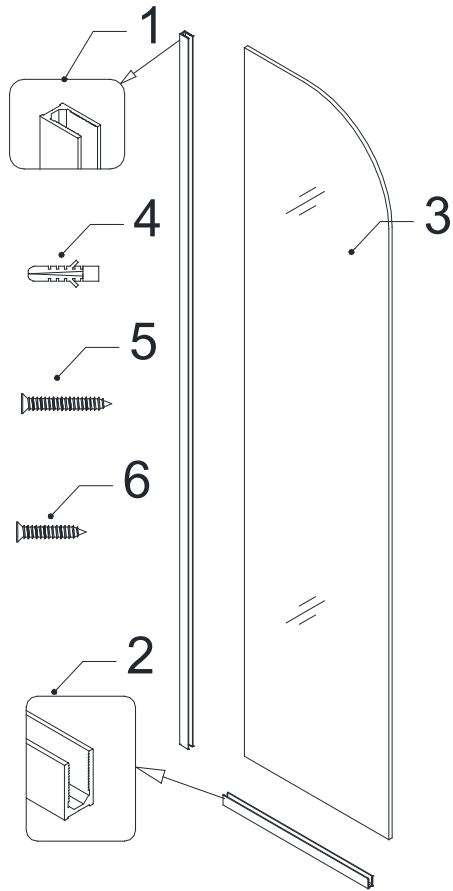
Wood

**NOTE:** Unpack your unit carefully and inspect it. Lay it out and identify all parts using the detailed diagram and packing list in this manual as a reference. Before discarding the carton, check for small hardware bags that may have fallen to the bottom of the box. If any parts are damaged or missing, please contact DreamLine® for replacement. The shipping boxes may contain extra parts not used in your model configuration.

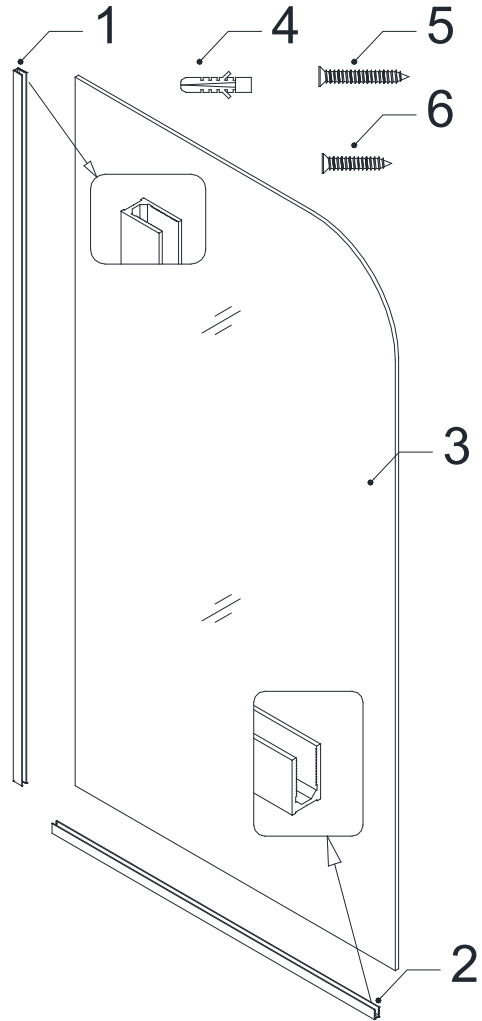
**NOTE:** Retain these installation instructions for future reference.

# Parts diagram

**Parts Diagram A**  
9" x 58" Extender Panel (EX)



**Parts Diagram B**  
30" x 58" Return Panel (RT)



## Packing List

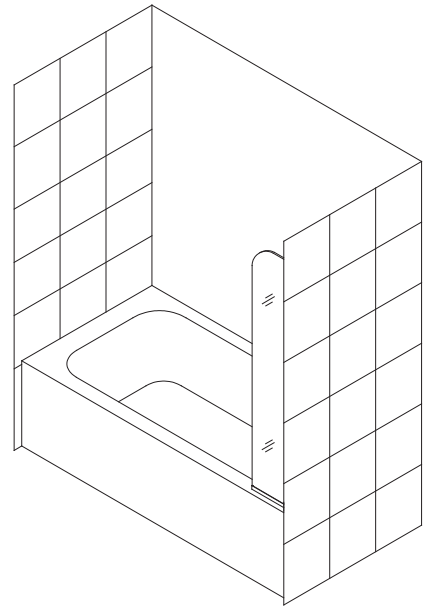
Diagram A					
01	U-channel 1 (58" wall profile)	1pc	04	Ø5/16" Wall anchor	4pcs
02	U-channel 2 (9" bottom profile)	1pc	05	Countersunk screw ST4.2x40	4pcs
03	Extender panel glass	1pc	06	Countersunk screw ST4.2x25	2pcs
Diagram B					
01	U-channel 1 (58" wall profile)	1pc	04	Ø5/16" Wall anchor	4pcs
02	U-channel 2 (30" bottom profile)	1pc	05	Countersunk screw ST4.2x40	4pcs
03	Return panel glass	1pc	06	Countersunk screw ST4.2x25	2pcs

# Installation steps

## 9" In-Line Extender Panel Installation

**NOTE:** The following panel installation instructions apply to all of the Aqua series tub doors. Please install whichever Aqua model you purchased prior to proceeding with the following Stationary Glass installation instructions. Please see the Shower / Tub Door Installation manual included in the door packaging for complete tub door installation instructions.

**NOTE:** Use parts from **Parts Diagram "A"** for the glass panel assembly and installation.



**1.** Slip the **U-channel 2 (bottom profile) (02)** and **U-channel 1 (wall profile) (01)** onto the **Extender panel glass (03)**.

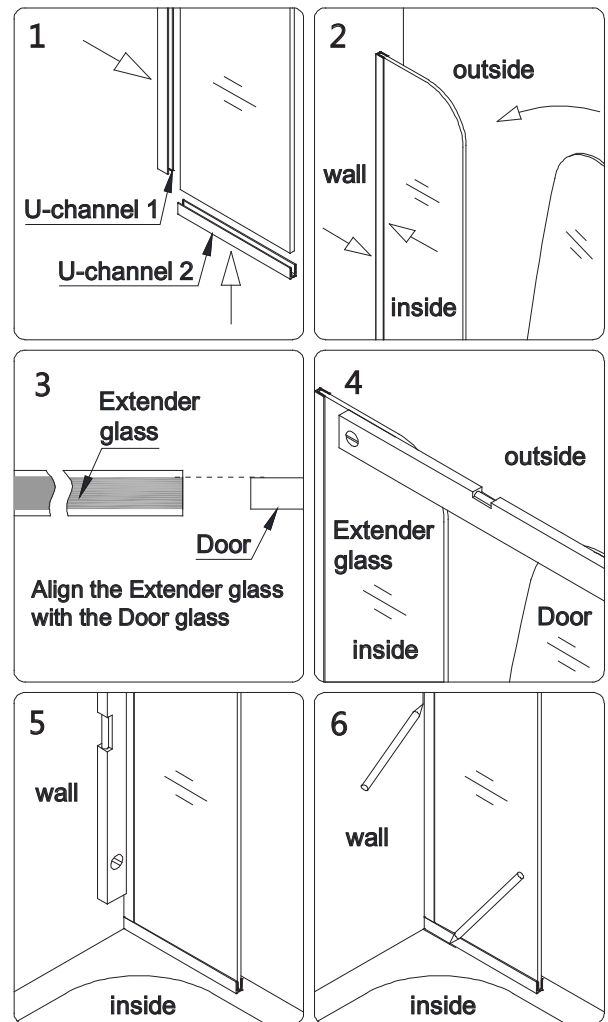
With the door open, place the **Extender panel glass (16)** and **U-channel** onto the tub surface ensuring that the **U-channel 1 (wall profile) (01)** is flush with the wall.

Close the Glass Door and align the **Extender panel glass (03)** (Fig 1.3).

Ensure that the **Extender panel glass (03)** is precisely in-line with the Door and level it vertically.

Mark the position of both **U-channels** along the inside edge on the wall and tub surface. (Fig 1.6)

**See Fig 1 for details**



**Fig 1**

**2.** Remove the **U-channel 1 (wall profile) (01)** and **U-channel 2 (bottom profile) (02)** from the **Extender panel glass (03)** and carefully set the **Extender glass** aside. Place the **U-Channel 2 (bottom profile) (02)** back onto the tub surface in-line with the inside U-channel mark. Mark the drill holes on the tub surface through the pre-drilled holes in the **U-Channel 2 (bottom profile) (02)** and drill the holes using an **Ø1/8"** drill bit. Apply waterproof silicone along the bottom surface and around the holes of the **U-Channel 2 (bottom profile) (02)** and fasten it to the tub surface with the **Countersunk screws ST4.2×25 (06)**.

**NOTE:** The surface needs to be clean and free of debris before applying silicone.

See Fig 2 for details

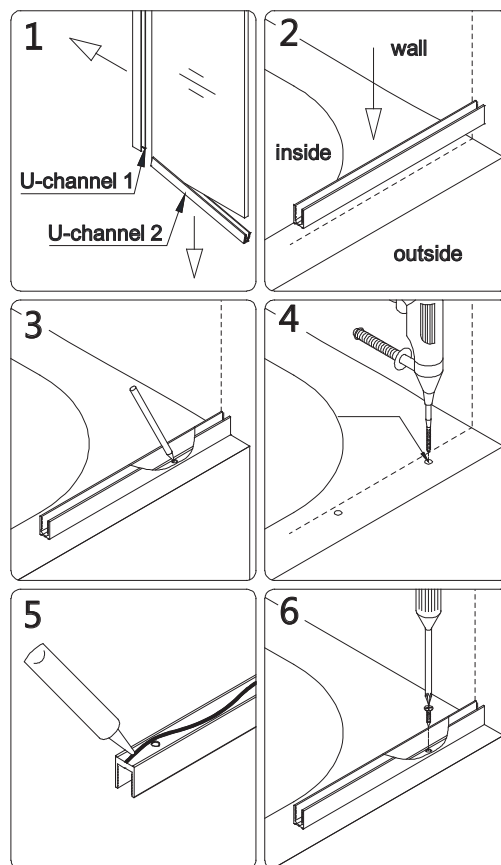


Fig 2

**3.** Place the **U-Channel 1 (wall profile) (01)** onto the **U-Channel 2 (bottom profile) (02)** and align vertically with the inside U-channel wall mark. (Fig 3.1) Mark the drill holes on the wall through the predrilled holes in the **U-Channel 1 (wall profile) (01)**. Now drill holes in the wall using a **Ø5/16"** drill bit and insert the **Ø5/16"** **Wall anchors (04)**. Apply waterproof silicone along the bottom surface and around the holes of the **U-Channel 1 (wall profile) (01)** and fasten it to the wall with the **Countersunk screws ST4.2×40 (05)**.

See Fig 3 for details

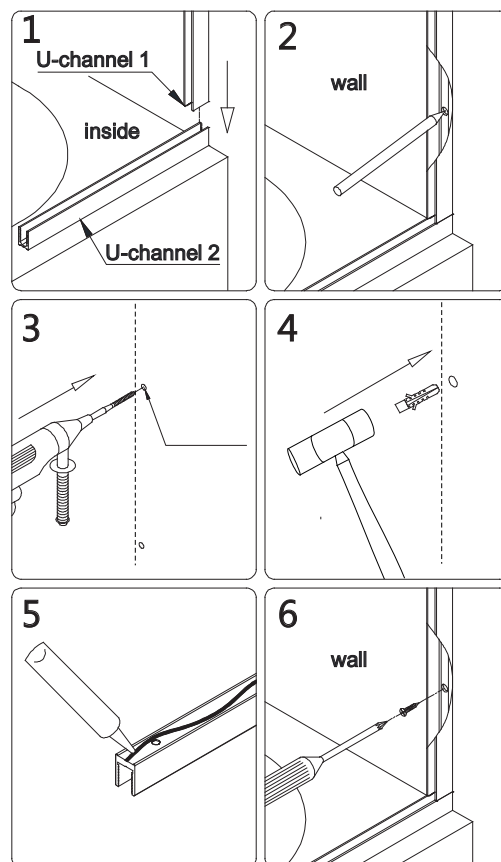
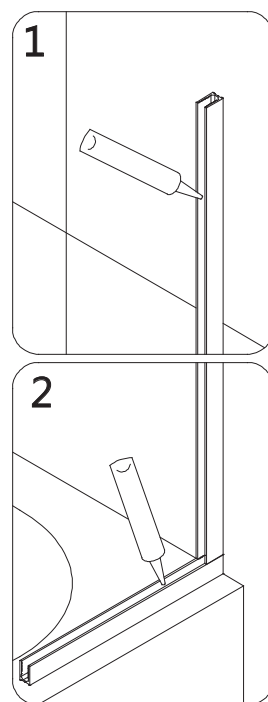


Fig 3

**4.** Apply waterproof silicone into both U-Channels.

**NOTE:** The surface needs to be clean and free of debris before applying silicone.

**See Fig 4 for details**



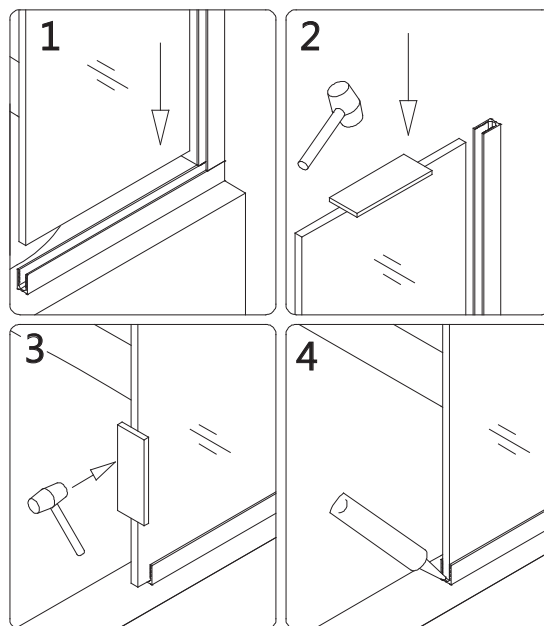
**Fig 4**

**5.** Slide the **Extender panel glass (03)** into the installed U-Channels.

**NOTE:** If you have difficulty sliding the Extender panel glass into the U-Channels, you can slightly tap on the Extender glass with a rubber mallet and a piece of wood.

Apply a dab of silicone to both open ends of the U-Channels.

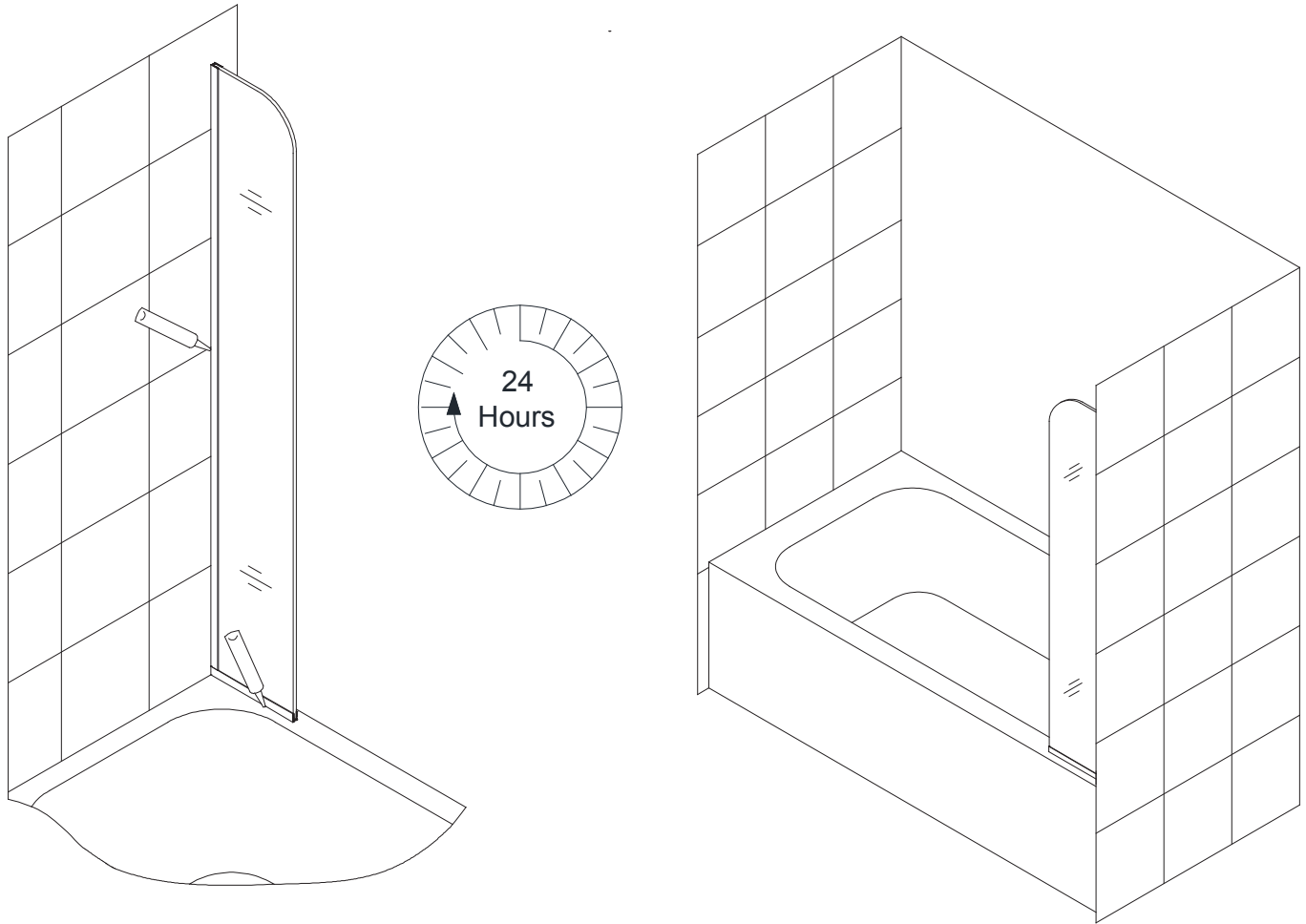
**See Fig 5 for details**



**Fig 5**

**6.** Apply a good quality mildew-resistant waterproof silicone along the connection of both U-Channels to the wall and tub surface from the inside of the shower.  
**Allow 24 hours for the silicone to fully cure before using the shower.**

**See Fig 6 for details**

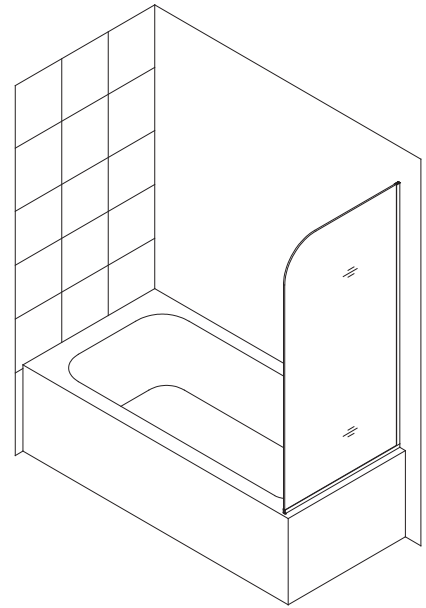


**Fig 6**

## 30" Return Panel Installation

**NOTE:** The following panel installation instructions apply to all of the Aqua series tub doors. Please install whichever Aqua model you purchased prior to proceeding with the following Return Glass installation instructions. Please see the Shower / Tub Door Installation manual included in the door packaging for complete tub door installation instructions.

**NOTE:** Use parts from **Parts Diagram "B"** for the glass panel assembly and installation.



**7.** Slip the **U-channel 2 (bottom profile) (02)** and **U-channel 1 (wall profile) (01)** onto the **Return panel glass (03)**.

With the door open, place the **Return panel glass (03)** onto the middle of the tub ledge adjacent to the door ensuring that the **U-channel 1 (wall profile) (01)** is flush with the wall.

Adjust the **Return panel glass (03)** vertically using a level.

Mark the position of both **U-channels** along the inside edge on the wall and tub surface. (Fig 7.4)

Remove the **U-channel 1 (wall profile) (01)** and **U-channel 2 (bottom profile) (02)** from the **Return panel glass (03)** and carefully set the Return glass aside.

See Fig 7 for details

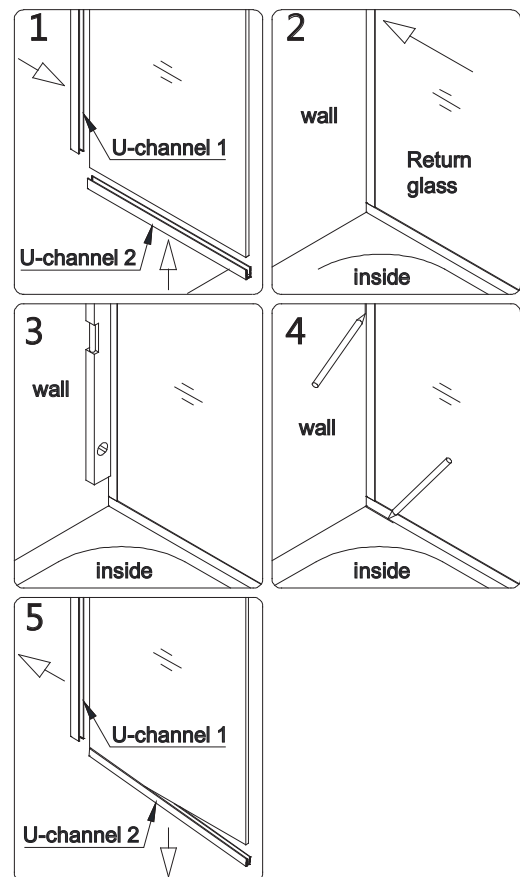


Fig 7

**8.** Place the **U-Channel 2 (bottom profile) (02)** onto the tub ledge in line with the inside **U-channel** mark.

Mark the drill holes on the tub ledge through the predrilled holes in the **U-Channel 2 (bottom profile) (02)** and drill the holes using an  $\text{Ø}1/8''$  drill bit.

Apply waterproof silicone along the bottom surface and around the holes of the **U-Channel 2 (bottom profile) (02)** and fasten it to the tub ledge with the **Countersunk screws ST4.2×25 (06)**.

**NOTE:** The surface needs to be clean and free of debris before applying silicone.

See Fig 8 for details

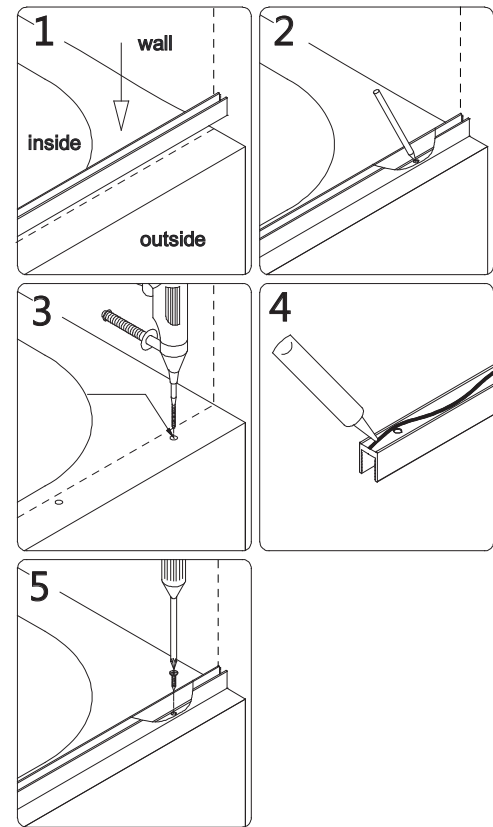


Fig 8

**9.** Place the **U-Channel 1 (wall profile) (01)** on the **U-Channel 2 (bottom profile) (02)** and align vertically with the inside U-channel wall mark.

Mark the drill holes on the wall through the predrilled holes in the **U-Channel 1 (wall profile) (01)**.

Now drill holes in the wall using a  $\text{Ø}5/16''$  drill bit and insert the  $\text{Ø}5/16''$  **Wall anchors (04)**.

Apply waterproof silicone along the bottom surface and around the holes of the **U-Channel 1 (wall profile) (01)** and fasten it to the wall with the **Countersunk screws ST4.2×40 (05)**.

**NOTE:** The surface needs to be clean and free of debris before applying silicone.

See Fig 9 for details

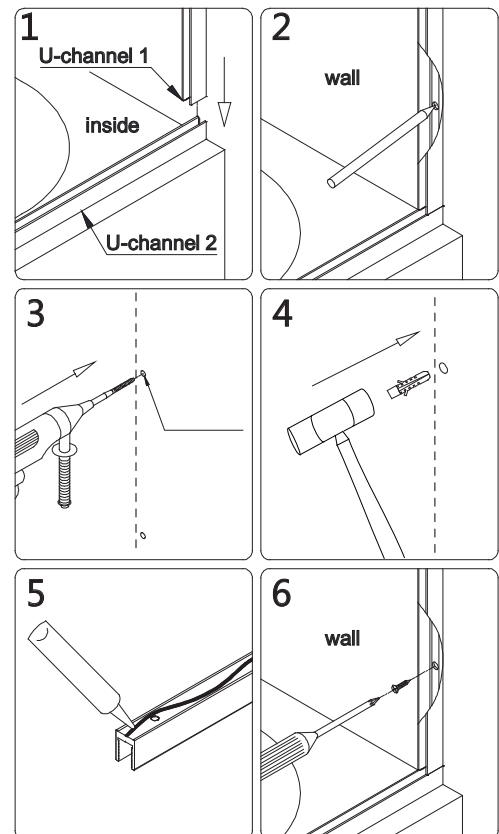
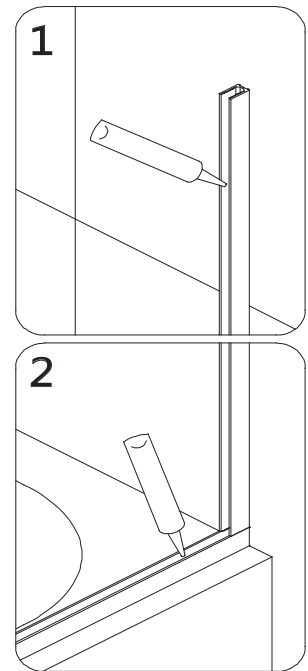


Fig 9

**10.** Apply waterproof silicone into both U-Channels.

**NOTE:** The surface needs to be clean and free of debris before applying silicone.

See Fig 10 for details



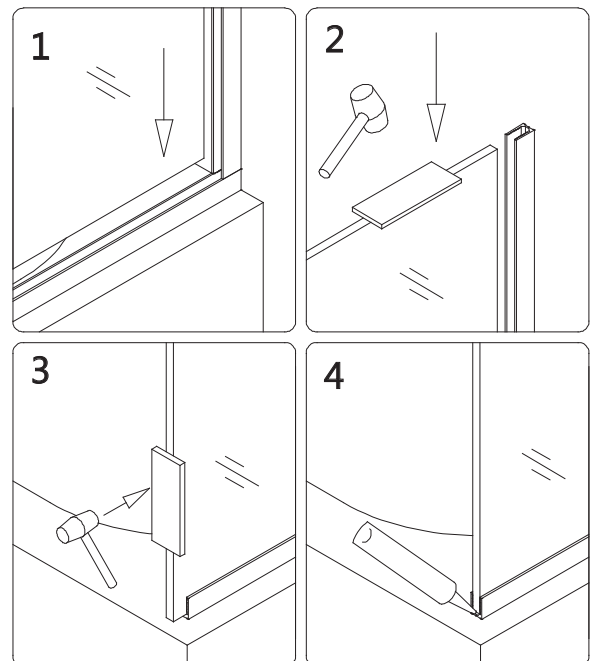
**Fig 10**

**11.** Slide the **Return panel glass (17)** into the groove of the installed U-Channels.

**NOTE:** If you have difficulty sliding the Return panel glass into the U-Channels, you can slightly tap on the Return glass with a rubber mallet and a piece of wood.

Apply a dab of silicone to both open ends of the U-Channels.

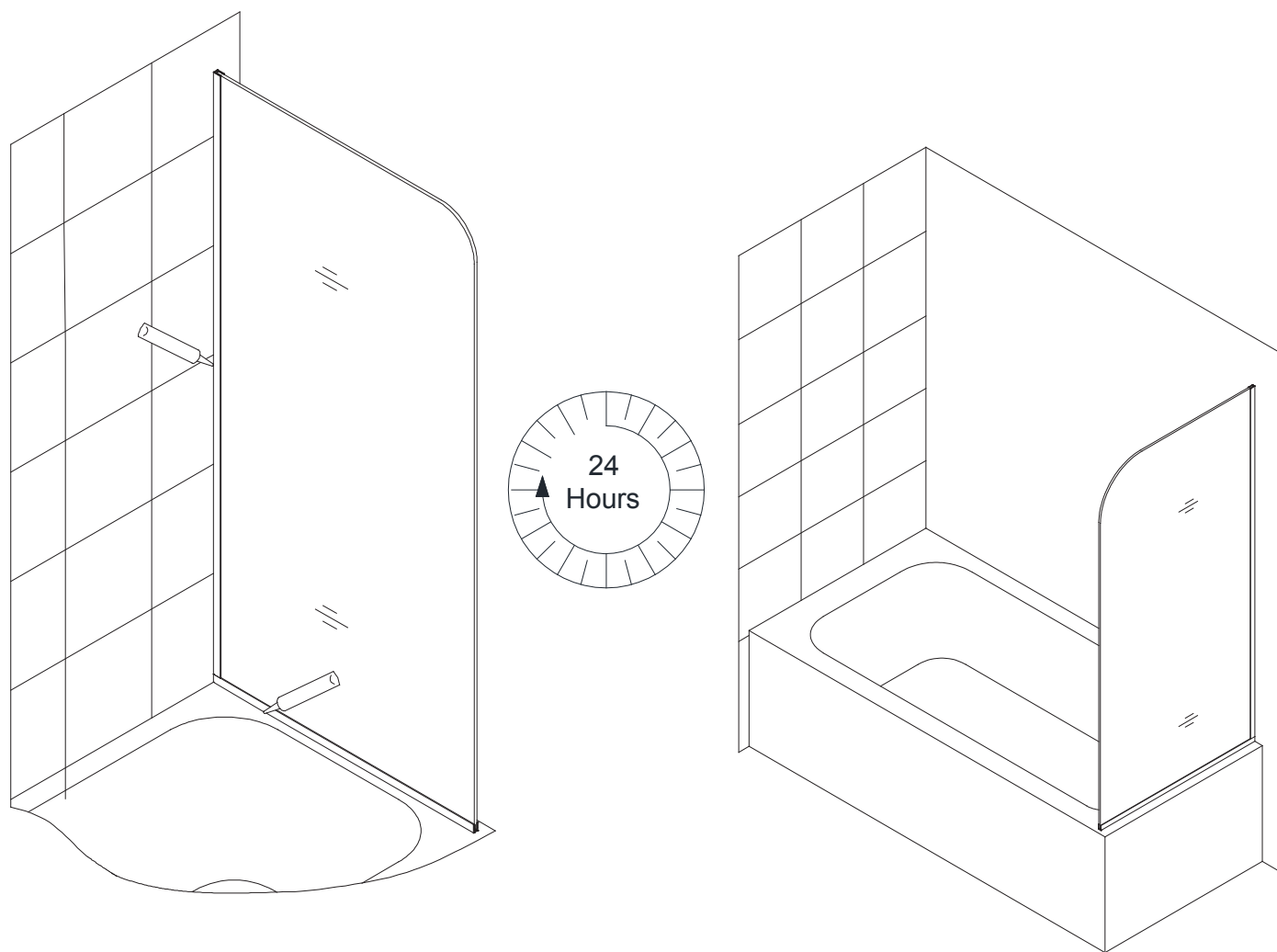
See Fig 11 for details



**Fig 11**

**12.** Apply a good quality mildew-resistant waterproof silicone along the connection of both U-Channels to the wall and tub surface from the inside of the shower.  
**Allow 24 hours for the silicone to fully cure before using the shower.**

**See Fig 12 for details**



**Fig 12**

## Product Maintenance

**BASES and BACKWALLS:** To ensure a long life for your acrylic back walls: wipe them off after each use with a soft cloth. To clean the acrylic back walls use non-abrasive sprays or cream based cleaners. Never use abrasive cleansers, metal brushes or scrapers that could scratch or dull the surface.

**GLASS:** To ensure long lasting life for your glass shower products: wipe them off after each use with a soft cloth. Rinse and wipe off the glass using either a soft cloth or a squeegee to prevent soap buildup and water spots. To prevent scratching the surface: never use abrasive cleaners and cleaning products that contain scouring agents. Never use bristle brushes or abrasive sponges.

**HARDWARE:** To ensure a long lasting finish: wipe off the metal parts after each use with a soft cloth. Do not use abrasive cleaners or cleaning products containing ammonia, bleach or acid. If accidentally used, rinse the surface as soon as possible to prevent finish peeling or corrosion. After cleaning the shiny finishes, rinse thoroughly and wipe dry with soft cloth. Never use an abrasive sponge or cloth, steel wool or wired brush as these may permanently scratch the glass.



TEL: 866-731-2244  
FAX: 866-857-3638  
DREAMLINE.COM

For more information on DreamLine® Shower Doors and Enclosure please visit **DreamLine.com**