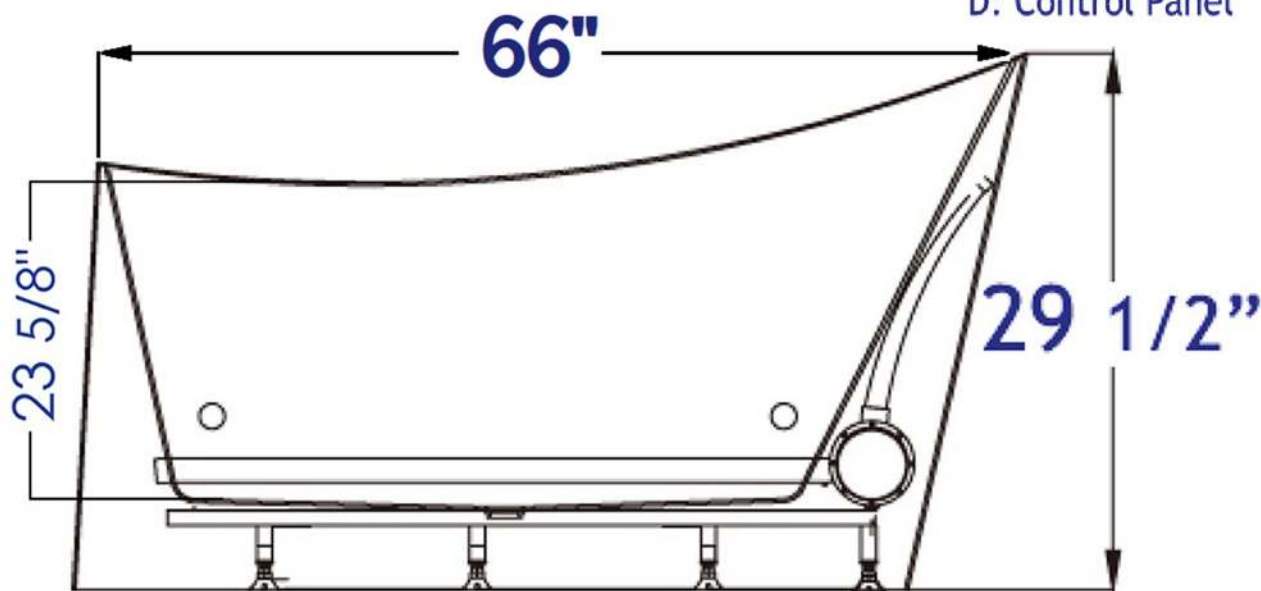


- A: Drain
- B: Air Holes
- C: LED Light
- D: Control Panel



**Note:** All product dimensions are approximate and should be verified on site prior to installation.  
 Visit [www.EAGOUSA.com](http://www.EAGOUSA.com) for more information.