

EAGO

EAGO Sanitary Ware Co., Ltd.

Factory Add: Shiling Development Zone, Xiaotang Town, Nanhai District, Foshan City, Guangdong, China

E-mail: sales@eago.com.cn Http://www.eago.com.cn

National Service Hotline : +86 800-8301359



EAGO

AM214\AM212\GFK1900-1 Installation Introduction

Safety Information

1. Please read carefully and follows all instruction when operating.
2. An earth leakage circuit-breaker must be installed in the power box and please check it carefully before use.
3. To avoid electric shock, the wires replacement must be done by the electrical engineer or the retailer. Please do not change the wires by yourself. The wire shall be 3×1.5mm²
4. The earth wire of the water pump and air pump surface must be connected well. The minimum of the copper must be 1.5mm²
5. Please do not modify, append or eliminated the product.
6. Please do not use the product after alcohol or drug.
7. The children user shall be closely supervised by parents.
8. All the electrical spare parts except the remote controller must be stable to avoid slip into the bathtub.
9. Warning: the water temperature shall never exceed 60 degree centigrade.
10. Please do not use the strong causticity chemical liquid to clean the product, such as vitriol, hydrochloric acid and lye.
11. Please do not touch the surface of the surface of the power generator when it is running.
12. The water level must be higher than the jets before turning the product on.
13. Please do not drop anything into the pump or power generator connection.
14. Warning: to avoid electrical shock, the GFCI/RCD (Earth leakage circuit Breaker) must be installed.
15. Warning: to avoid electrical shock, please do not use extended wire. The socket must be installed near the product.
16. Bathtub working conditions: water pressure is 0.5-0.40MPa, and the ground must have the ability to support the expected loading.

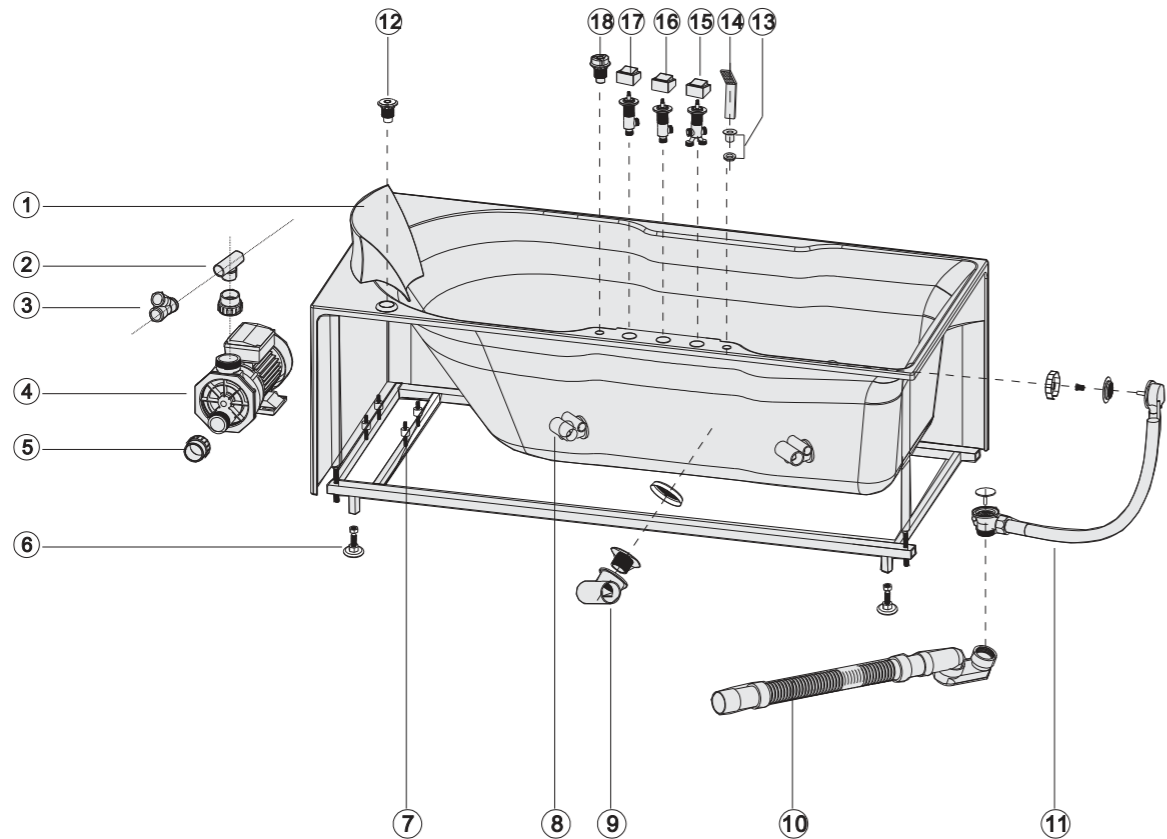
Maintenance Instruction

1. The cleaning of the acrylic surface :
The sponge and water could be used for the daily maintenance. If there are scratches appear in the surface, please use the 1500 waterproof abrasive paper to polish the surface. Then use toothpaste to polish again. Also some dirt cleaning machine could be used. However, the strong causticity chemical liquid could not be used fo the cleaning, such as vitriol, hydrochloric acid and lye.
2. Electroplate cleaning :
Please use the soft cloth for the cleaning. Please do not use the rough cloth.
3. Suction net cleaning :
Turn the screw out and take the suction net out, clean it to keep the water going through smoothly. Please do not use strong the strong causticity chemical liquid could not be used fo the cleaning, such as vitriol, hydrochloric acid and lye.

CONTENTS

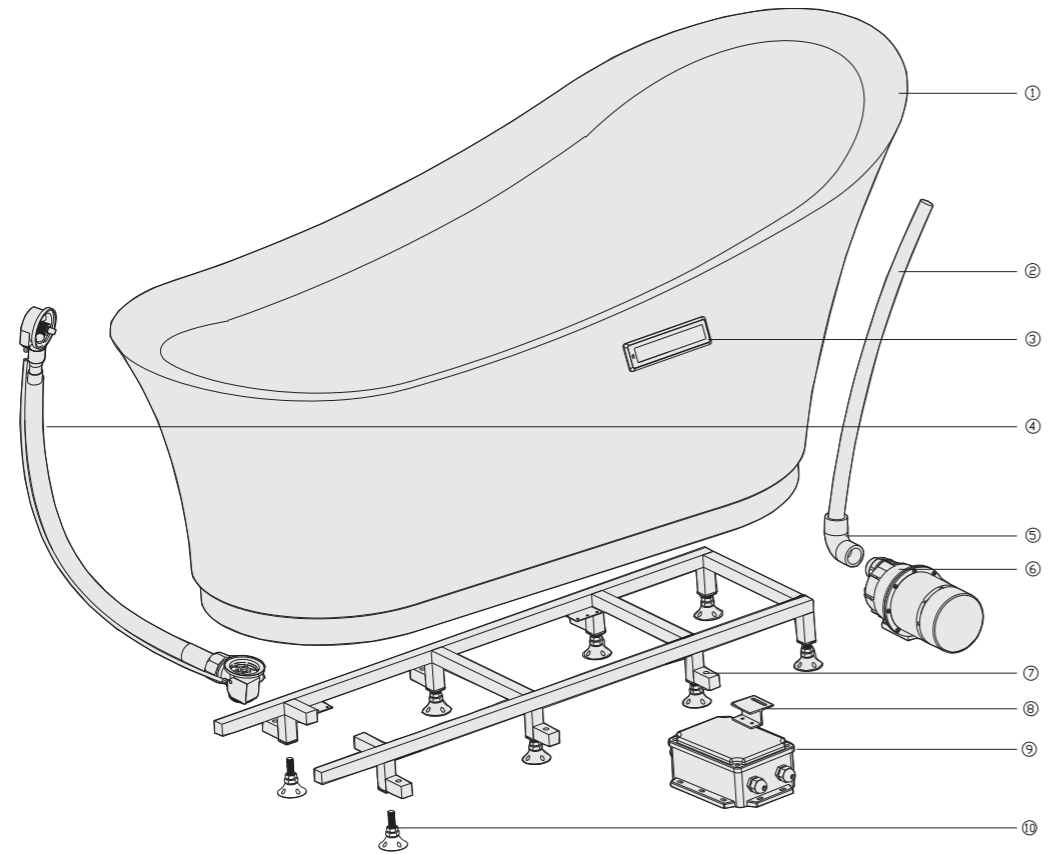
01-02	AM212 component instruction
03-04	AM214 component instruction
05	AM212 Wire and water connection diagram
06	AM214 Wire and water connection diagram
07	GKF1900-1 Wire and water connection diagram
08	Water pipe of faucet connection diagram
09	Installation steps
10-11	Whirlpool bathtub installation and wire connection diagram
12	Faucet instruction
13	Control panel instruction
14-15	Maintenance card
16	Troubleshooting Instructions






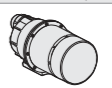




AM 212 Components instruction



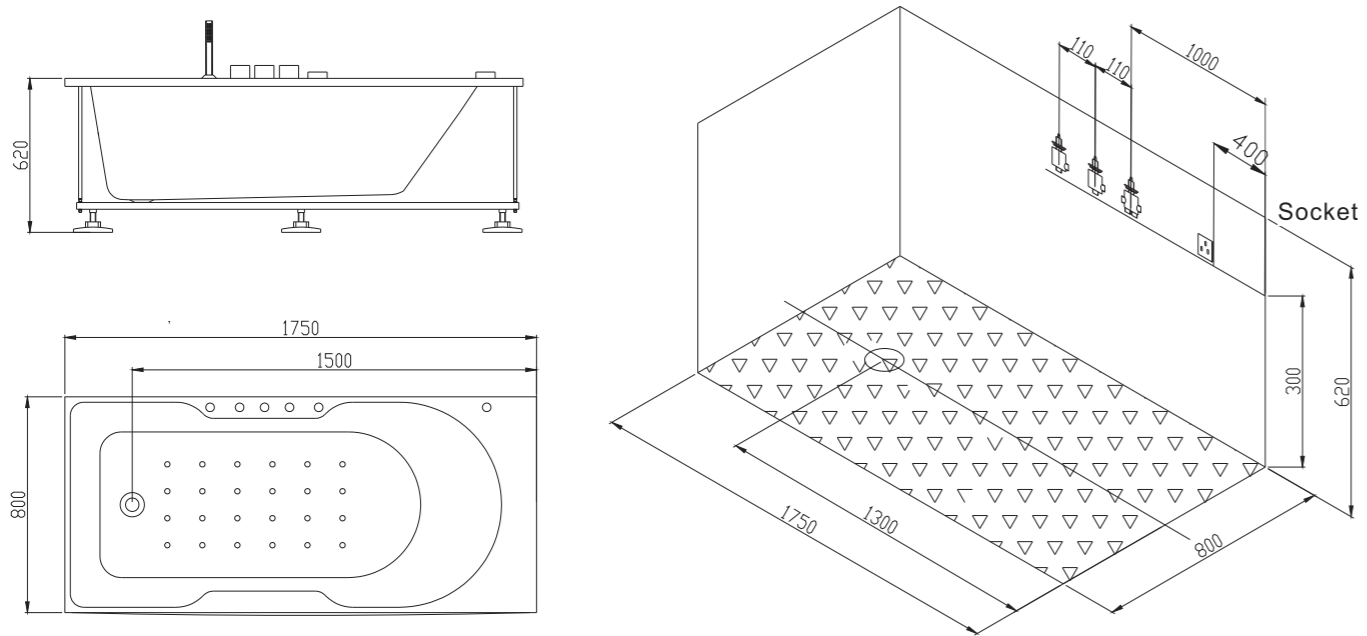
AM 212 Components instruction

1.H46B pillow	2.A07 lengthen plastic	3.1 inch skew T-cock	4. Water pump	5. Water pump joint	6. Bathtub leg	7. Shockproof plastic pellet
8.AK-065D nozzle	9. Plastic backwater	10. Deodorant drain	11.3628A-2 plastic drain	12. Water pump switch	13. Water proof shower socket	14.HC1560CP hand shower
15.7080B/D15 valve	16. Chrome plated plastic adjustment switch					

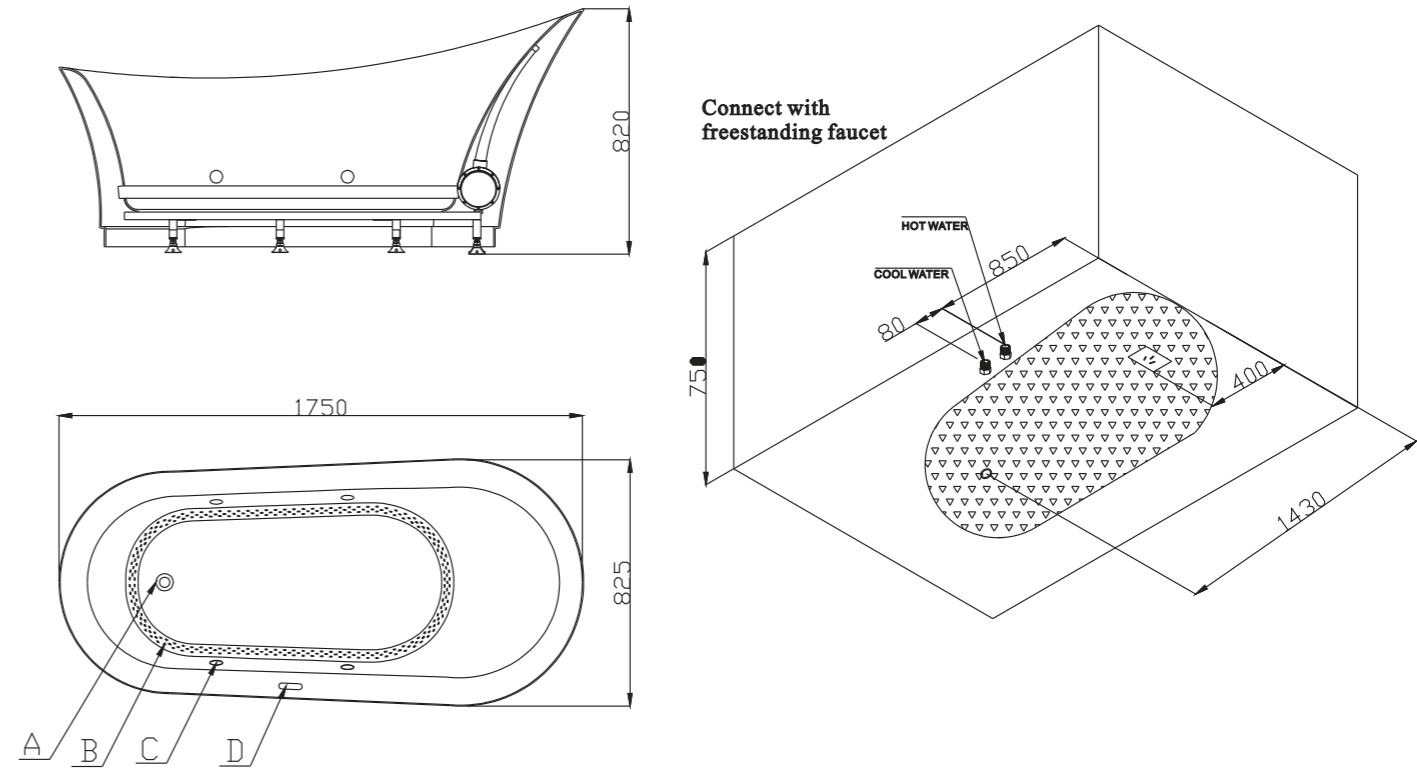


1. Bathtub	2. Connect air tube	3.PR0105-B401 control board	4.306C drain	5.90 degree elbow	6. AP400 air pump	7. Stainless steel bracket
						
8.fixed clip of computer board	9.PR0105-B401 computer board	10. Bathtub leg				
						

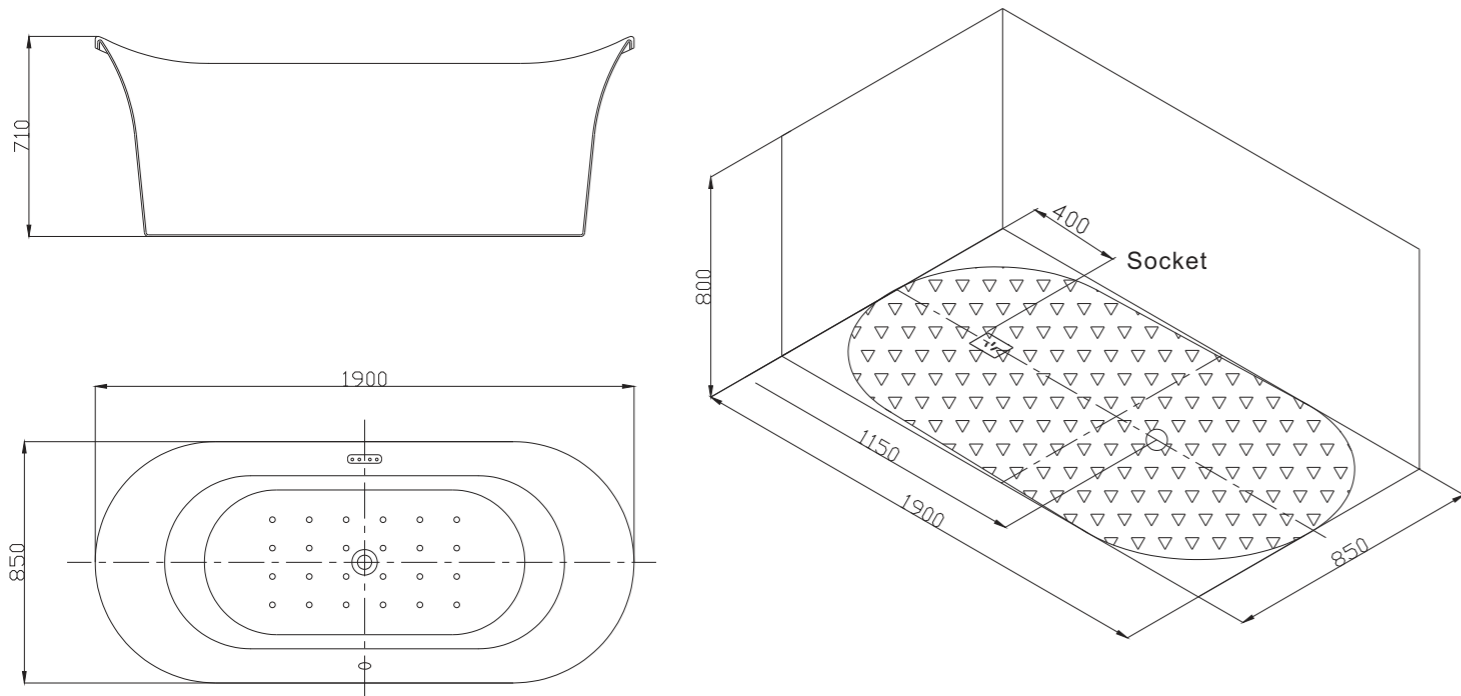
AM212 Wire and water connection diagram



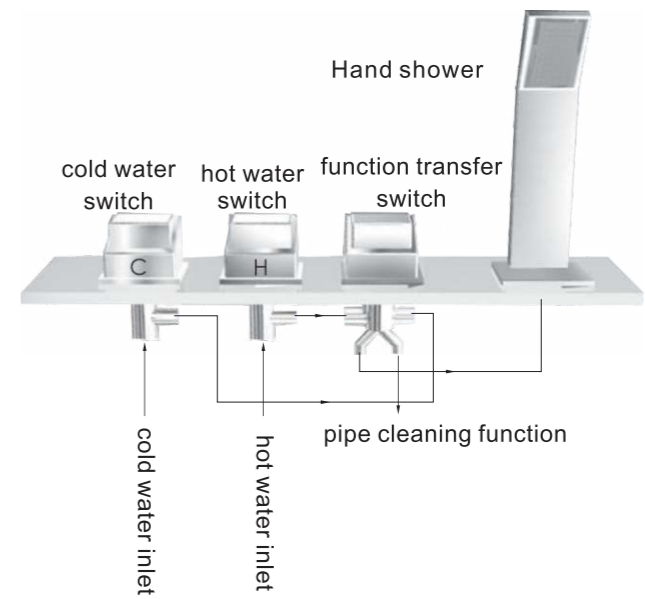
AM214 Wire and water connection diagram



GKF1900-1 Wire and water connection diagram



Water pipe of AM212 faucet connection diagram



Installation steps

The product adopts standard accessories. Please refer to production tech parameter and follow the below steps for installation:

1. Confirm the product installation position → 2. Adjust the product to horizontal → 3. Connect the water inlet and drain → 4. Connect the power → 5. Check and clean → 6. Reposition → 7. Pouring water and test

1. Confirm the product installation position

Please see to the product technique diagram and related tech parameter to connect the water pipe, socket and water inlet pipe. Confirm if there is enough space for the connecting.

2. Adjust the product to horizontal

Adjust the adjustable leg of the product to adjust it to horizontal level.

3. Connect the water inlet and drain

The water outlet pipe is at the bottom of the bathtub with diameter 38 mm, the pipe could be elbow in whatever way you like. Please put the bathtub water outlet pipe elbow into the drainpipe and seal it well. Please keep the pipe running through to avoid water exhausted.

4. Connect the power

This item is suitable for the required power when purchased; please install the stock according to the direction of the technique parameter and connect the connector plugs into the socket. (Noted: the yellow-green color wire from the water pump is the ground line, the diameter is 8 mm).

5. Check and clean

After the above steps, please check the joints are sealed well or not. Clean the dirt in the bathtub and open the drain. to clean the bathtub by water. In order not to stuff the pipeline and jets, please do clean the dirt before washing.

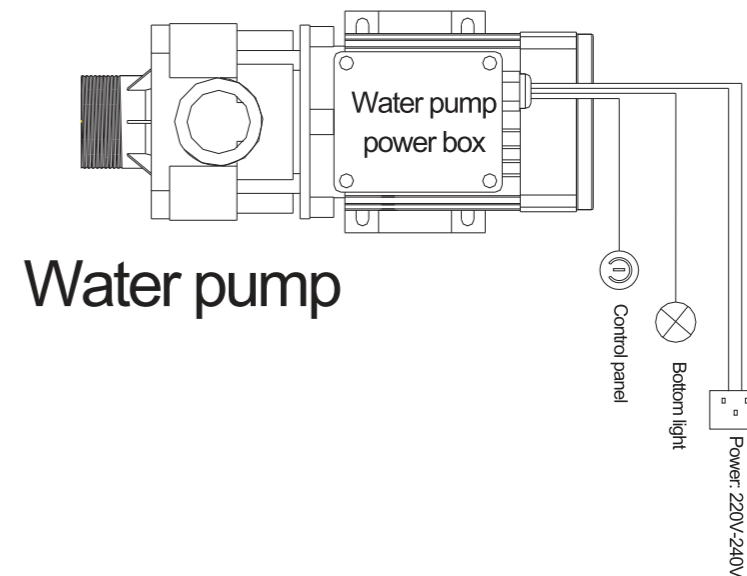
6. Reposition

Reposit the product to where you want.

7. Pouring water and test

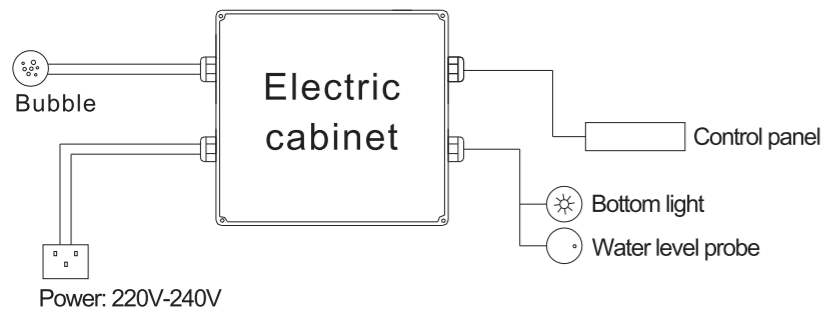
Confirm the bathtub is clean. Close the drain and start storing water. When the water level is higher than the probe, turn on the bathtub and try the functions according to the control panel instruction.

AM212 installation and wire connection diagram



Electrical parameters

Configuration Parameter	Water pump	Ozone	Bottom light	Thermostat	Solenoid Valve	Computer controller	Speaker	Note
Rated operational voltage	AC220-240V/50HZ							
Rated operational voltage	AC110-120V/60HZ							
Rated power	750W							

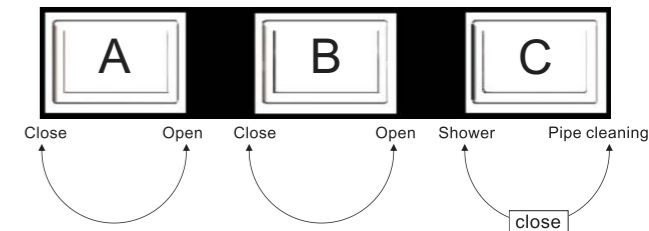


Electrical parameters

Configuration	Air pump	Ozone	Bottom light	Thermostat	Solenoid Valve	Computer controller	Speaker	Note
Rated operational voltage	AC220-240V/50HZ		DC12V			AC220V/50HZ		
Rated operational voltage	AC110-120V/60HZ		DC12V			AC120V/60HZ		
Rated power	400W		12W					

**1. Bathtub faucet
Three-pieces faucet:**

- A. The water inlet pipe with red label is hot water, and the faucet handle with label H is also hot water. Turning left could alternate the volume of the hot water. The maximum is 90° to the left.
- B. The water inlet pipe where with blue label is cool water, and the faucet handle with label C is also cool water. Turning left could alternate the volume of the cool water. The maximum is 90° to the left.
- C. is function transfer value, Turn 90° left is the shower while 90° right is pipe cleaning function.

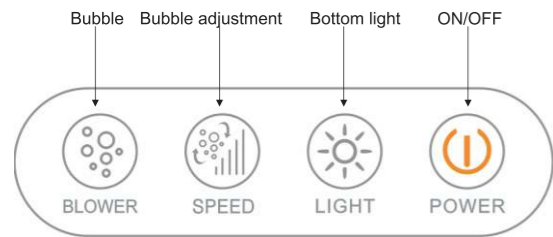


2. Hydro-massage

The effect of hydro-massage is controlled by water and air circulation, the power of water is controlled by the control panel. The operation method please refer to the air inlet key operation in the control panel function key instruction 2 .

Control panel instruction (AM214\GFK1900-1)

Control panel




Basic function:


1. Inductive button, when you press the button and it is valid operation, each time you press it you can hear the beep. The operating system does not have any reaction when it is invalid operation

Keys operation

1. On/off

Press the key for 1 second to turn on or turn off the system. The system would turn off automatically when it is turned on for 60 minutes. When the system is turned on the bottom light will turn on, too. Press the ON/OFF key and the red back light of the bottom light key will turn on. Press  again to turn off all the function.


2. Bottom light Key

Turn on the system and press  to turn on or turn off the bottom light and the red back light of bottom light key.


Bubble function :

1、 There are three levels of bubble power : weak, middle and strong.

3. Bubble

Turn on the system and press  to turn on or turn off the bubble function and the red back light of the bubble key.

3. Bubble adjustment

Press  to adjust the bubble power after turning on the system and the bubble key

Cleaning function :

Turn off the system and the system is unwatered (means the water level probe test for ten seconds that there is no water in the bathtub), the air pump turn on automatically to dry the bathtub pipe line, and it will turn off automatically after 90 seconds.

Maintenance Card

Model No.			
Manufacturing Code		Purchasing Date	
Tel			
Add			
Maintenance item:			
1. Every purchase of the series products, get 1 year guarantee by the maintenance service card and purchasing receipt since the purchasing date. The following cases are not covered by the warranty.			
A. Any damage caused by the misuse, improper maintenance.			
B. Installation damage by neither the EAGO agent nor appointed installation service organization.			
C. Without 3 packets "proof, valid bill or proof of purchase.			
D. Valid card, maintenance card do not match or alternation.			
E. Damage by the irresistibility and irresistible natural calamities.			
2. If it is the product quality problem, it will be free maintenance or change the spare parts.			
3. If the problem is not caused by the products itself or over-exceed the one-year guarantee, it will charge the repairing fees and spare parts costs.			

The first page is kept for the customer.

Maintenance Card

Model No.	
Manufacturing Code	
Customer Name	
Tel.	
Add.	
Agent Shop	
Tel.	
Purchase Date	

The second page is sent back to EAGO head office.

