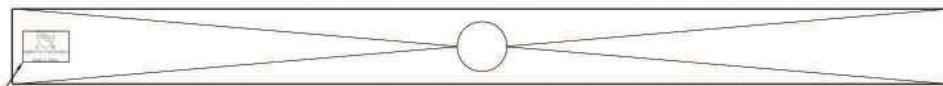
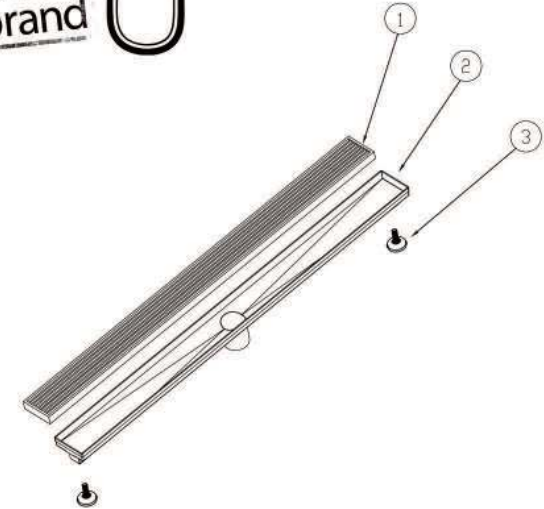
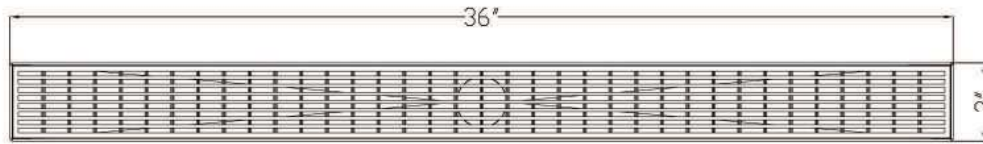
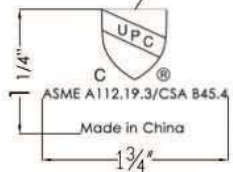


# alpi

brand



SECTION A-A



NO	DESCRIPTION	QTY	MATERIAL	SIZE
1	Linear drain cover	1	SUS304	35 3/4" X 2 3/4" X 3/4"
2	Linear drain stand	1	SUS304	36" X 3" X 3 3/8" (18G)
3	mounting brackets	2	composite material	Ø 1 3/8 X 1 3/4