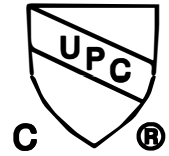




INSTALLATION MANUAL

SLIDING RAIL(WITH HANDSHOWER, HOSE)

ITEM NO: AB7606

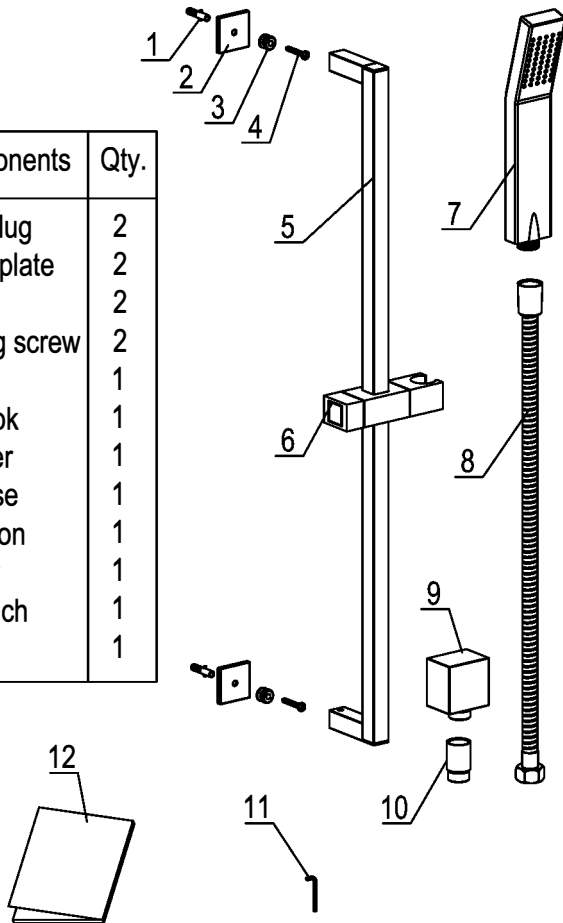


✳️ Components Checking

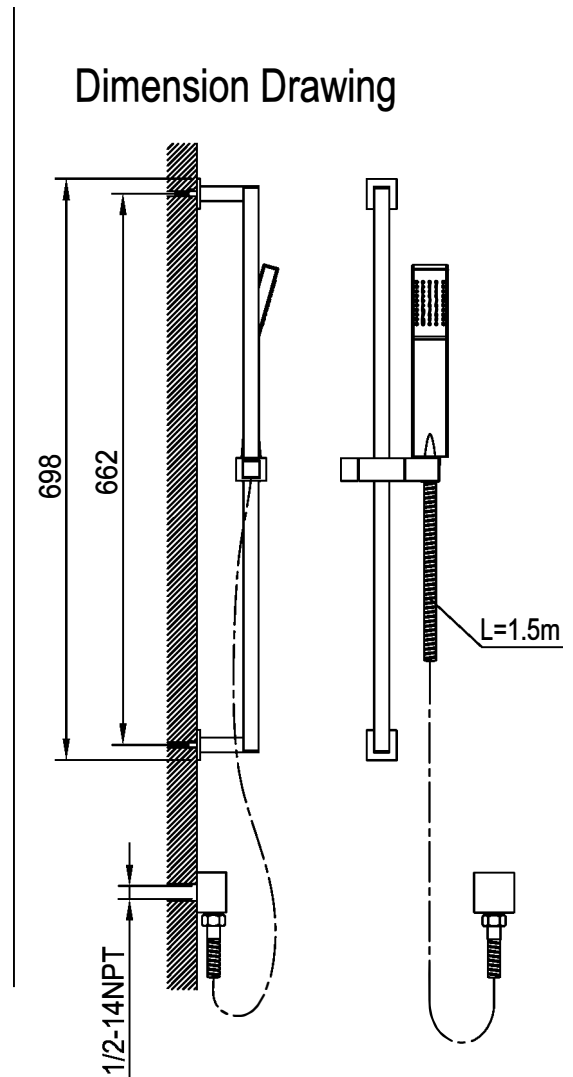
LIST OF THE STANDARD COMPONENTS:

Please double-check the components list hereinafter and contact our company or our distributor for any unconformity.
 Remark: 1.Without affecting their performing, components may be changed without further notice.
 2.Drawing for reference only. Product size & shape refer to actual faucet.

List of Components	Qty.
1.Explosive plug	2
2.Decorative plate	2
3.Fixing seat	2
4.Self-tapping screw	2
5.Sliding rail	1
6.Shower hook	1
7.Handshower	1
8.Shower hose	1
9.Shower union	1
10.Connector	1
11.Allen wrench	1
12.Manual	1



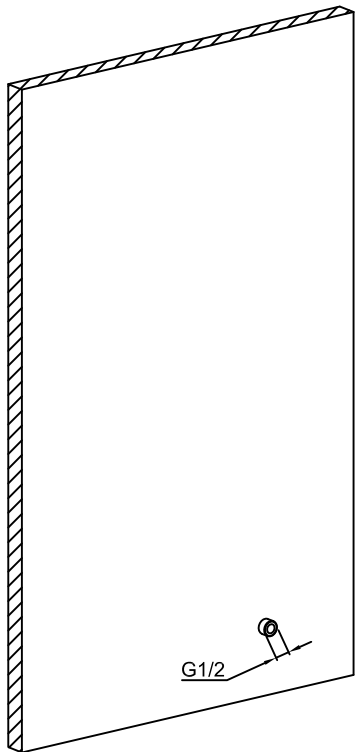
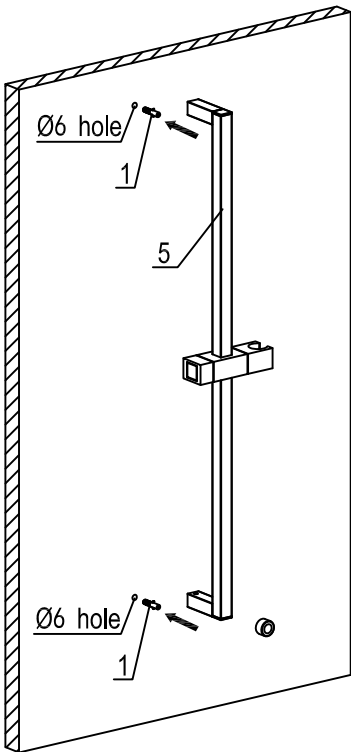
Dimension Drawing

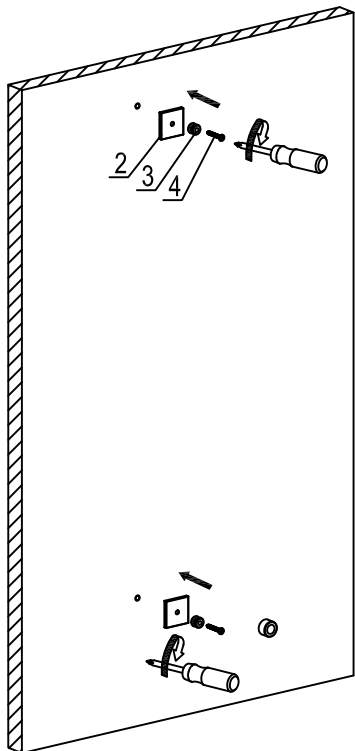
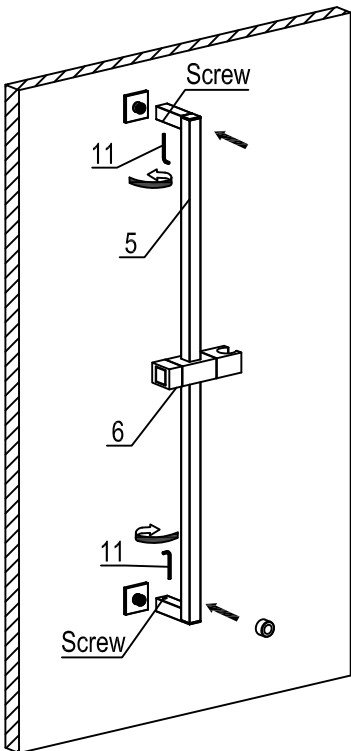


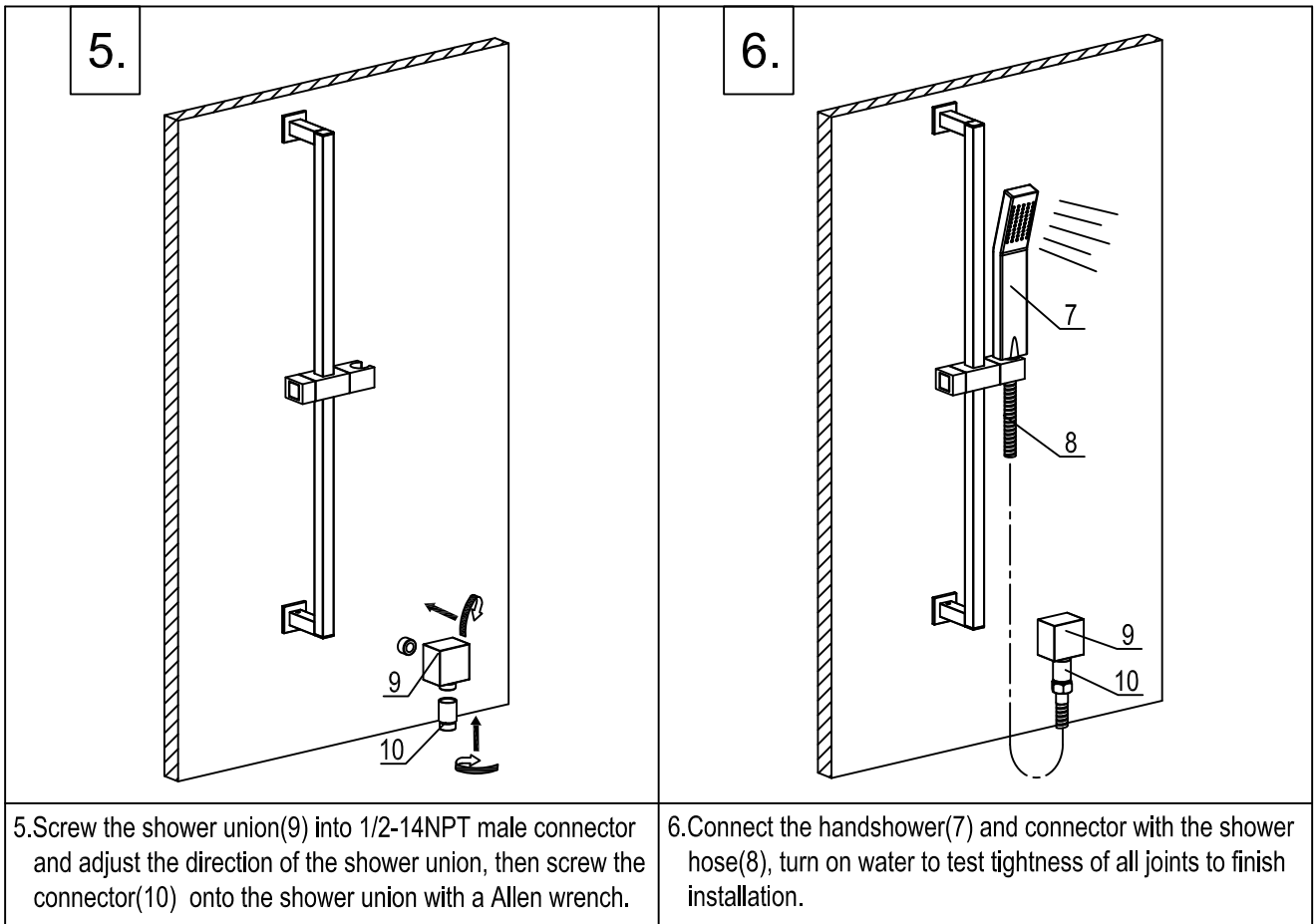
✳️ Installation Instructions

- ☆ As chrome plated, this product must be carefully protected to avoid any scratch.
- ☆ Assemble the product mildly to avoid any damage.
- ☆ Do not disassemble the shower hook.
- ☆ Dig holes in suitable distance for perfect accessing to the wall.

✳️ Installation Procedures

<p>1.</p> 	<p>2.</p> 
<p>1.Pre-install supply pipe and a G1/2 male connector into the wall.</p>	<p>2.Dig 2 holes on the wall according to the sliding rail(5), with diameter at 6mm and depth at 35mm, and knock the explosive plugs(1) into the holes.</p>

<p>3.</p> 	<p>4.</p> 
<p>3.fix the decorative plate(2) and fixing seat(3) onto the wall with the self-tapping screws(4) with a Phillips screwdriver, and adjust the direction of the decorative plate.</p>	<p>4.Put the sliding rail(5) with shower hook(6) into the fixing seat, tighten the screws of the sliding rail with Allen wrench(11) to fix the sliding rail(5).</p>



※ Cleaning & Maintenance

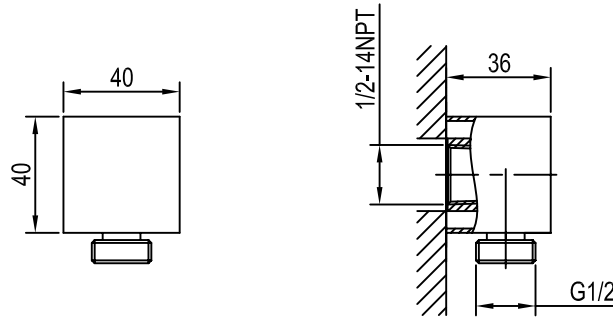
☆ To keep the product clean & shining, follow the steps as below:

1. Flush with clean water & dry with soft cloth only.
2. If any dirt, clean with soft liquid or transparent glass detergent.
3. Do not use any scrubbing detergent, polisher, sand-cloth, paper tissue or scraper.
4. Do not use acid detergent, indissolvable grain-like detergent or soap.



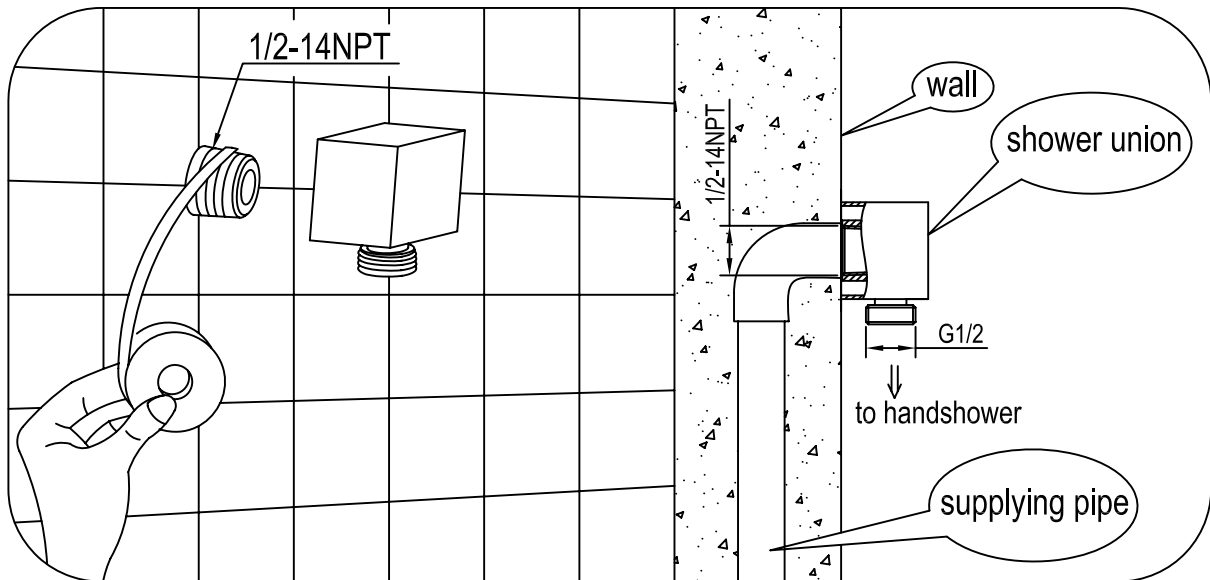
※ This installation instruction is only for your reference, the final right to explain & to revise it belongs to us.

※ Dimension Drawing



※ Installation Instructions

- ☆ As chrome plated, this product must be carefully protected to avoid any scratch.
- ☆ Assemble the product mildly to avoid any damage.

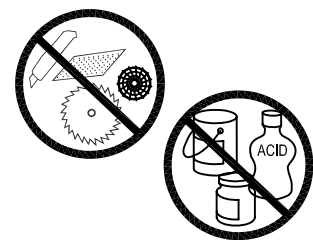


※ Installation Procedures

1. Before installation, make sure the joint of the water supplying pipes is 1/2 NPT male thread.
2. Twist PTFE tape on the thread of the joint, then screw the shower unions into the joint.
3. Tightening the shower union with a spanner with soft cloth.

※ Cleaning & Maintenance

- ☆ To keep the product clean & shining, follow the steps as below:
 1. Flush with clean water & dry with soft cloth only;
 2. If any dirt, clean with soft liquid or transparent glass detergent.
 3. Do not use any scrubbing detergent, polisher, sand-cloth, paper tissue or scraper.
 4. Do not use acid detergent, indissolvable grain-like detergent or soap.
 5. Circumrotate the aerator off and clean it when necessary.



※ This installation instruction is only for your reference,
 the final right to explain & to revise it belongs to us.