

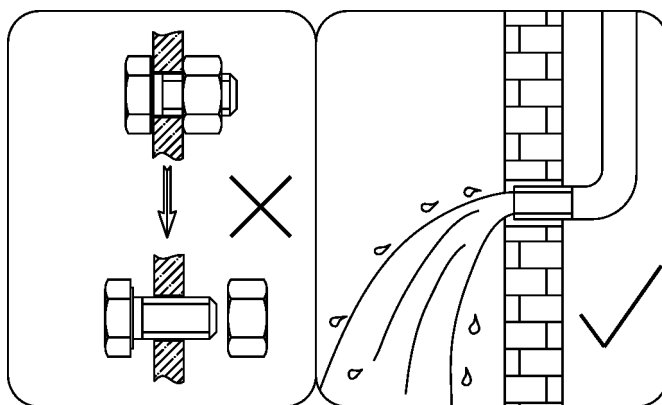
Thank you for choosing our company. Please make sure you have all necessary parts by checking the diagram and component list. Please make sure of proper installation and maintenance for long-term performance.

Notice:

1. Improper installation may cause severe failure, please make sure that this must be carried out by qualified or well-experienced plumbers.
2. This diagram is for reference only. The installation procedures may slightly differ from one to other type of single-lever 3-hole mixer, single-lever 3-hole (pressure balanced) mixer and double-handle 4-hole mixer.

✳Warnings:

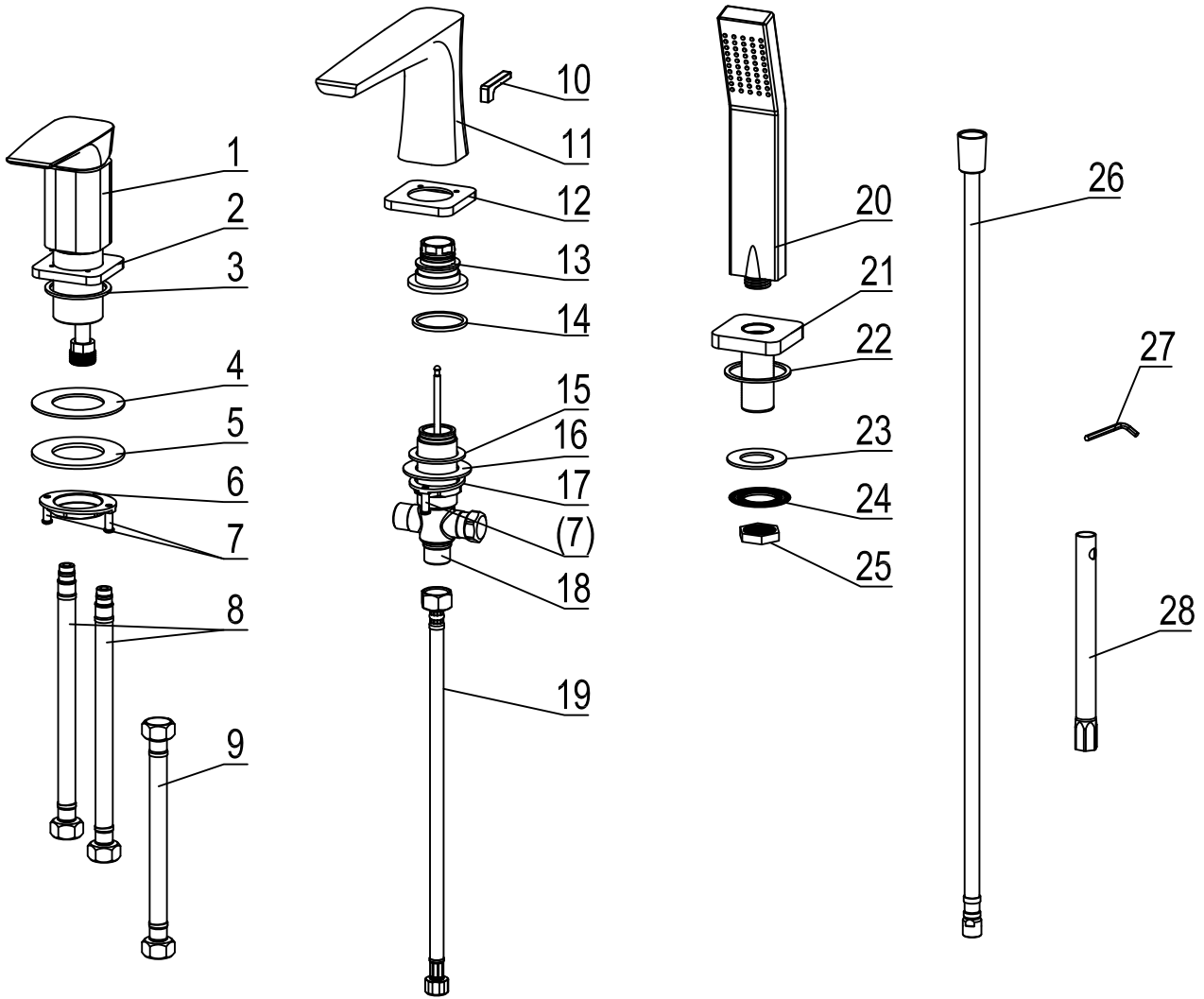
- ☆ Disassembling of the faucet is prohibited, as it has been assembled & commissioned to the best using condition.
- ☆ Before installing, flush the water supplying pipes.
- ☆ Do not over-forcing when installing.
- ☆ Corrosive materials such as plastic cement or glue is prohibited when installing valves, angle valves or connecting flexible hoses.
- ☆ Make sure to connect hot and cold supplying water pipes correctly, left to hot and right to cold facing from front of the faucet.
- ☆ Technical parameters:
 Nominal working pressure: 0.05MPa-1.0MPa (7.26psi-145psi).
 Water temperature: 4°C-90°C



Single-lever 3-hole mixer :

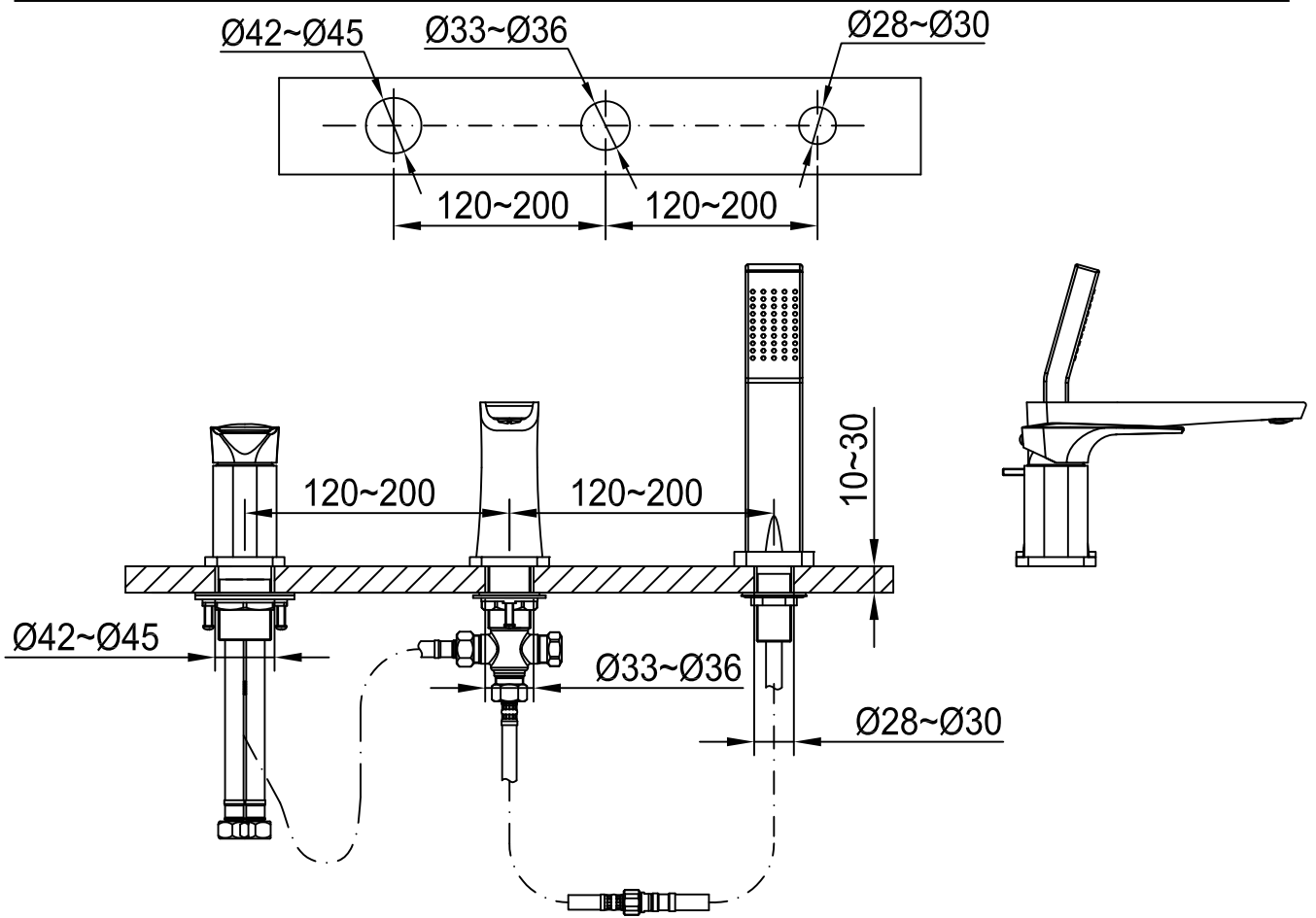
Single-lever 3-hole (pressure balanced) mixer :

※Component List



Component list	Qty.	Component list	Qty.	Component list	Qty.	Component list	Qty.
1.Main body	1	8.Inlet hose	2	15.Washer D	1	22.Washer E	1
2.Base A	1	9.Dicephalous hose	1	16.Metal gasket B	2	23.Washer F	1
3.Washer A	1	10.Diverter tip	1	17.Edged nut B	1	24.Metal gasket C	1
4.Washer B	1	11.Spout	1	18.Diverter unit	1	25.Hex nut	1
5.Metal gasket A	1	12.Base B	1	19.Connecting hose	1	26.Shower hose	1
6.Edged nut A	1	13.Installation nut	1	20.Handshower	1	27.Allen wrench	1
7.Bolt	4	14.Washer C	1	21.Shower hook	1	28.Sleeve wrench	1

SINGLE-LEVER 3-HOLE SHOWER / BATH MIXER
 SINGLE-LEVER 3-HOLE (PRESSURE BALANCED) SHOWER / BATH MIXER
 DOUBLE-HANDLE 4-HOLE SHOWER / BATH MIXER



※Installation Procedures

<p>1.</p>	<p>2.</p>
<p>1.Prepare the installation plate and dig holes as per above dimension. The distance between two holes :120~200mm.</p>	<p>2.Remove edged nut A(6), metal gasket A(5), washer B(4) from main body(1), remain base A(2) and washer A(3) on main body.</p>

SINGLE-LEVER 3-HOLE SHOWER / BATH MIXER
 SINGLE-LEVER 3-HOLE (PRESSURE BALANCED) SHOWER / BATH MIXER
 DOUBLE-HANDLE 4-HOLE SHOWER / BATH MIXER

<p>3. Screw inlet hoses(8) and dicephalous hose (9) onto main body(1), put main body with base A(2) and washer A(3) into installation hole, refix washer B(4), metal gasket A(5) and edged nut A(6) from the bottom.</p>	<p>4. After adjusting the direction of main body and base A, tighten the edged nut A with hands, and tighten bolts(7) with a Philips-screwdriver.</p>

<p>5. Loosen screws on the back of spout(11) with allen wrench(27), remove diverter tip(10), spout(11), base B(12), installation nut(13) and washer C(14) from diverter unit(18).</p>	<p>6. Put diverter unit with washer D(15), metal gasket B(16), edged nut B(17) and bolts(7) into installation hole from the bottom, refix washer C and installation nut from the top.</p>

SINGLE-LEVER 3-HOLE SHOWER / BATH MIXER
 SINGLE-LEVER 3-HOLE (PRESSURE BALANCED) SHOWER / BATH MIXER
 DOUBLE-HANDLE 4-HOLE SHOWER / BATH MIXER

<p>7.</p>	<p>8.</p>
<p>7. After adjusting the direction of diverter unit, tighten edge nut B(17) with hands and tighten bolts(7) with a Philips-screwdriver.</p>	<p>8. Re-fix base B(12) and spout(11), after adjusting the direction of base B and spout, tighten screws on the back of spout with allen wrench.</p>

<p>9.</p>	<p>10.</p>
<p>9. Re-fix diverter tip(10) and tighten screw on diverter tip with allen wrench(27).</p>	<p>10. Remove hex nut(25), metal gasket C(24) and washer F(23) from shower hook(21), put shower hook with washer E(22) into hole, re-fix washer F, metal gasket C and hex nut from the bottom.</p>

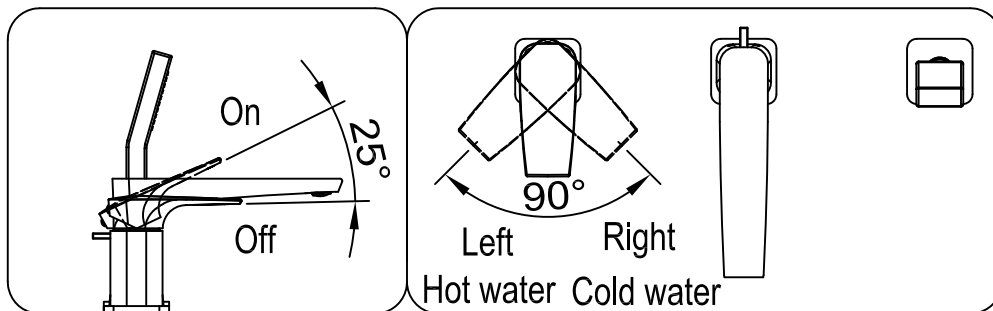
SINGLE-LEVER 3-HOLE SHOWER / BATH MIXER
 SINGLE-LEVER 3-HOLE (PRESSURE BALANCED) SHOWER / BATH MIXER
 DOUBLE-HANDLE 4-HOLE SHOWER / BATH MIXER

<p>11.</p>	<p>12.</p>
<p>11. After adjusting the direction of shower hook, tighten hex nut(25) with a wrench.</p>	<p>12. Connect correctly the cold & hot water inlet hoses, dicephalous hose(9), connecting hose (19) & shower hose(26) as per above drawing. Turn on water supplies and check for leaks to finish installation.</p>

✳Usage:

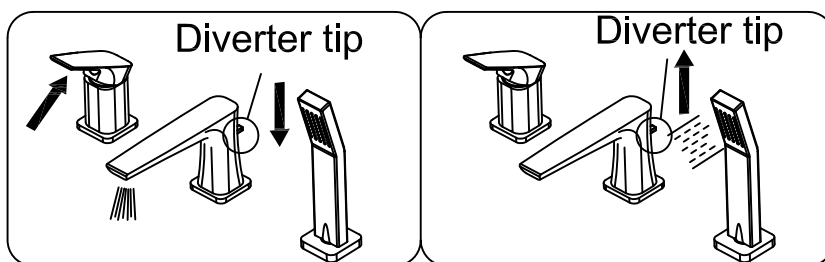
☆ How to use the handle:

- 1) Raise the handle up to turn on faucet, put down to turn off.
- 2) Turn the handle lever to the left to increase hot water flow, turn to the right for cooler water.



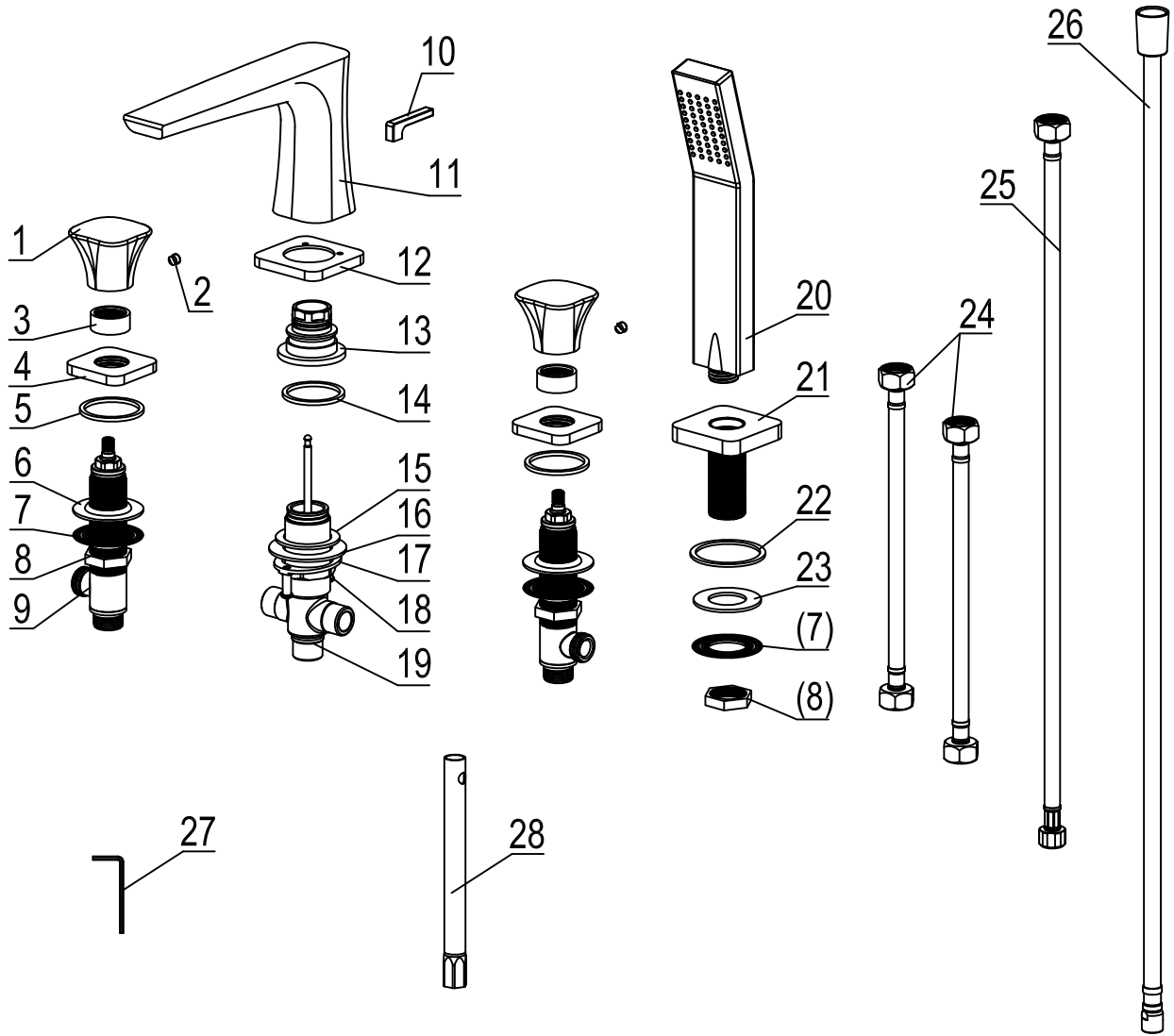
☆ How to use the diverter:

- 1) Turn on spout water by opening the handle.
- 2) Pull-up the diverter tip to switch water from spout to handshower.
- 3) Push down the diverter tip to switch water from handshower to spout.



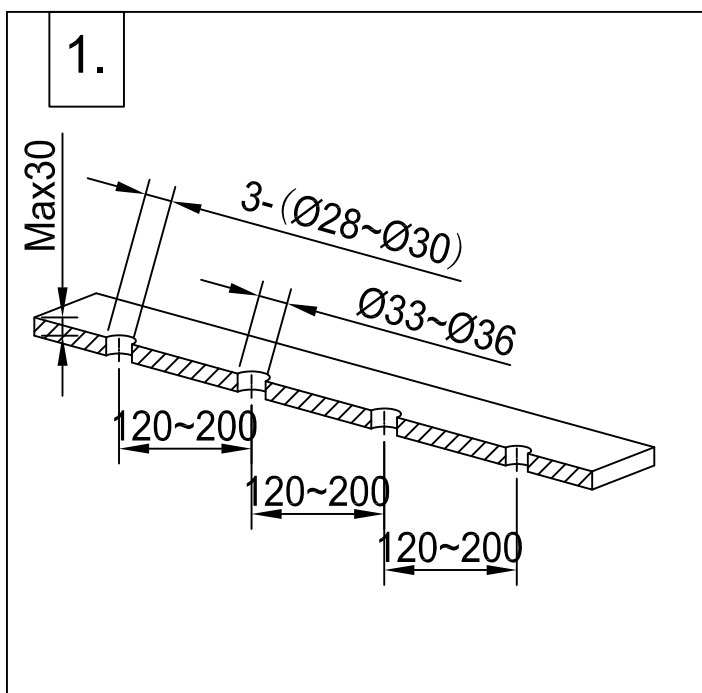
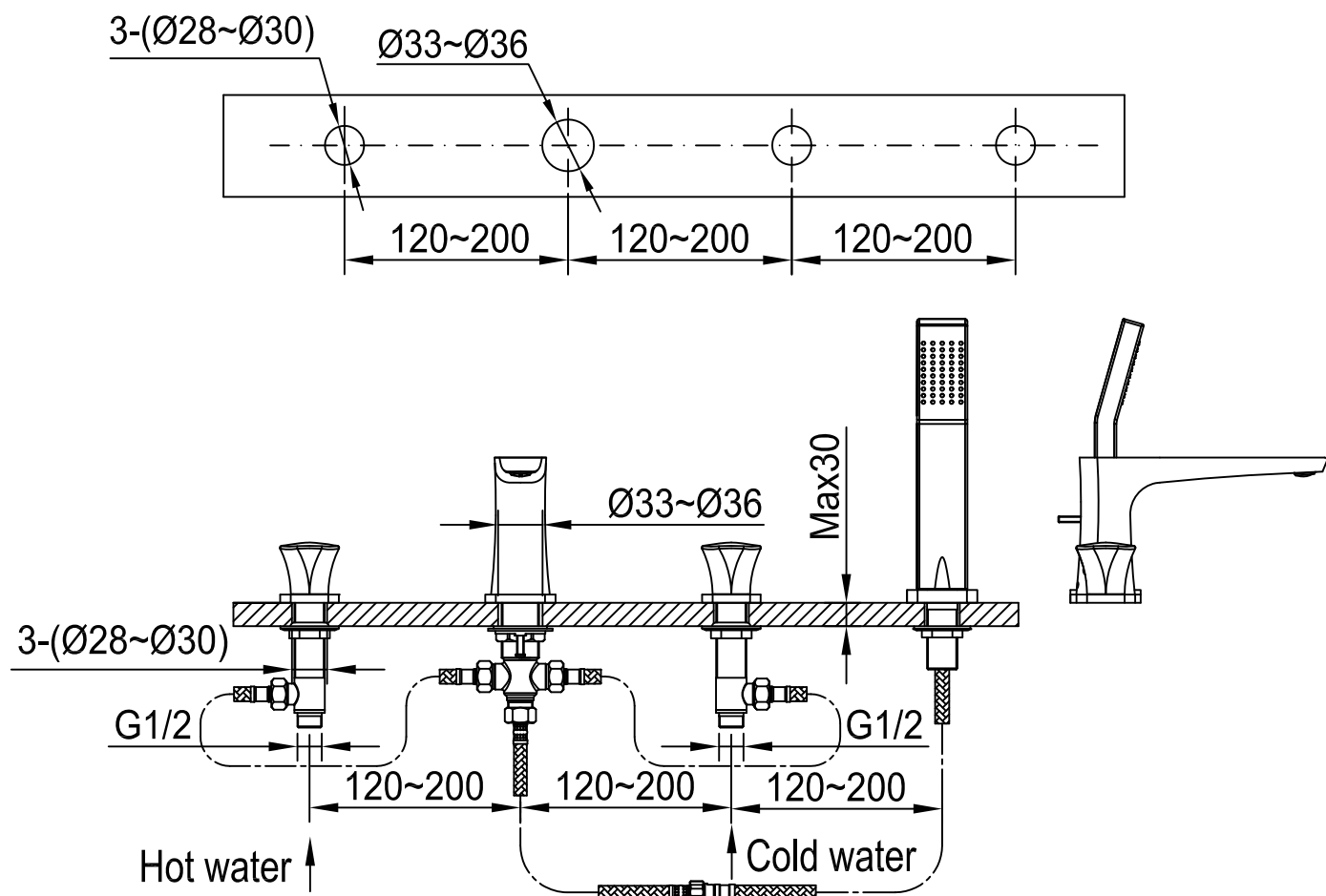
Double-handle 4-hole mixer :

※Component List

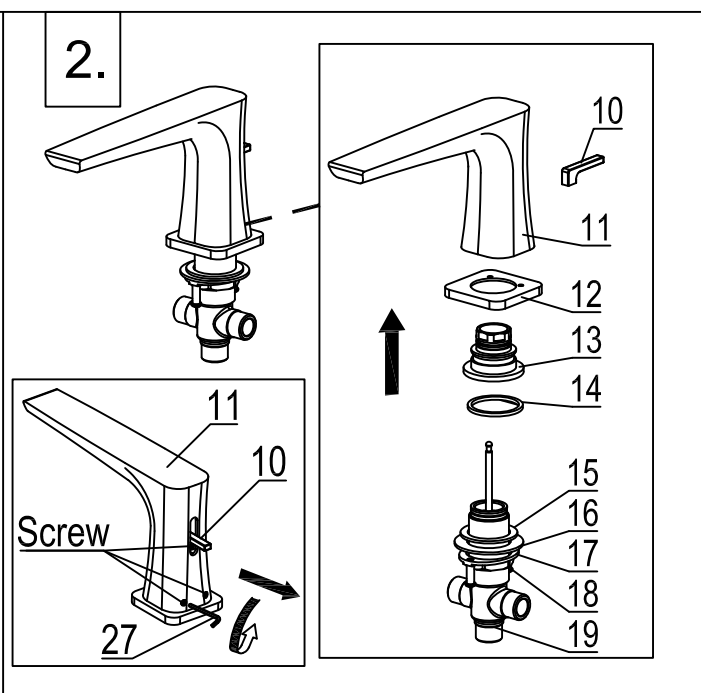


Component list	Qty.	Component list	Qty.	Component list	Qty.	Component list	Qty.
1.Handle	2	8.Hex nut	3	15.Washer C	1	22.Washer D	1
2.Decorative plug	2	9.Control valve unit	2	16.Metal gasket B	1	23.Washer E	1
3.Cartridge cover	2	10.Diverter tip	1	17.Edged nut	1	24.Dicephalous hose	2
4.Base A	2	11.Spout	1	18.Bolt	2	25.Connecting hose	1
5.Washer A	2	12.Base B	1	19.Diverter unit	1	26.Shower hose	1
6.Taper washer	2	13.Installation nut	1	20.Handshower	1	27.Allen wrench	1
7.Metal gasket A	3	14.Washer B	1	21.Shower hook	1	28.Sleeve wrench	1

SINGLE-LEVER 3-HOLE SHOWER / BATH MIXER
 SINGLE-LEVER 3-HOLE (PRESSURE BALANCED) SHOWER / BATH MIXER
 DOUBLE-HANDLE 4-HOLE SHOWER / BATH MIXER

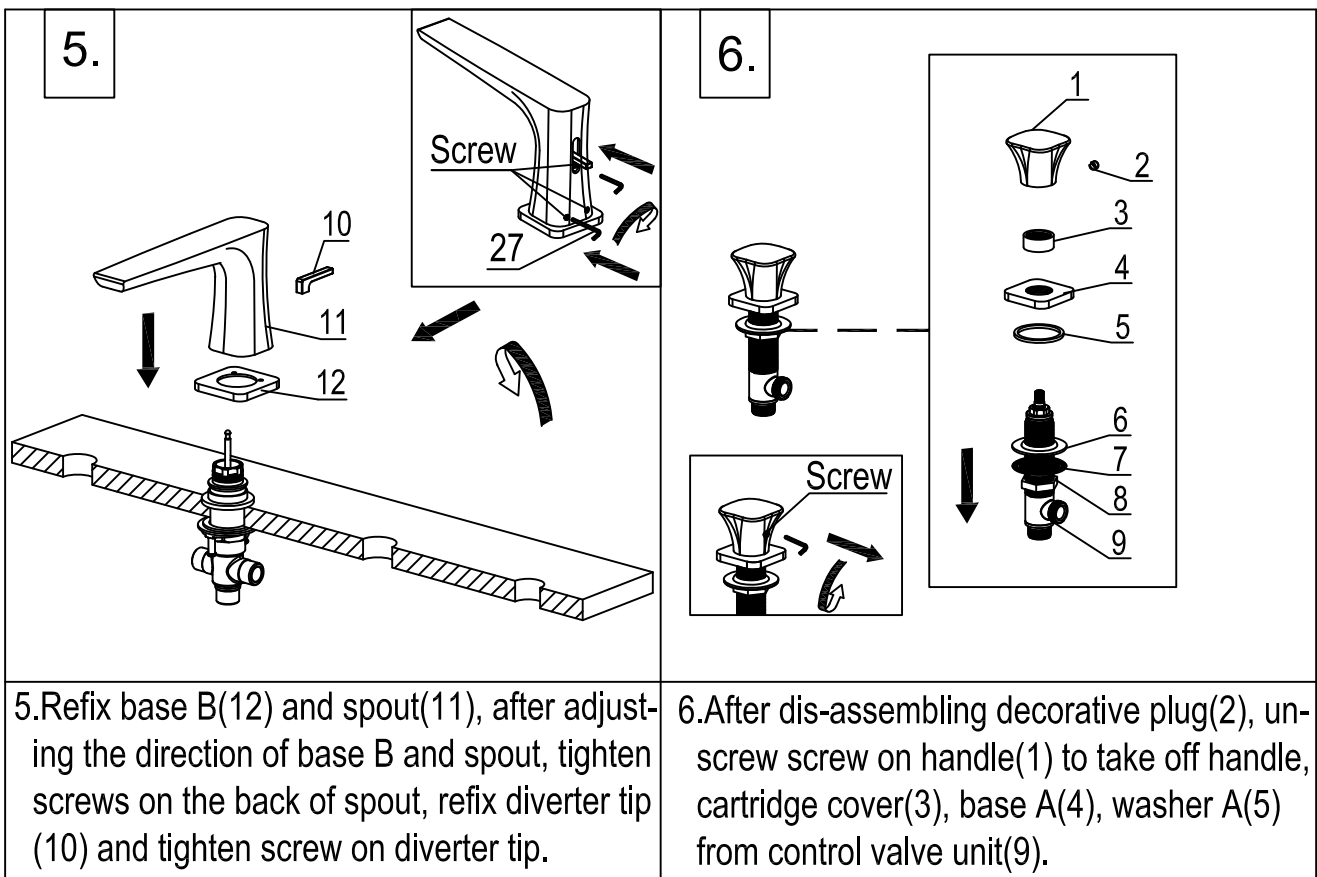
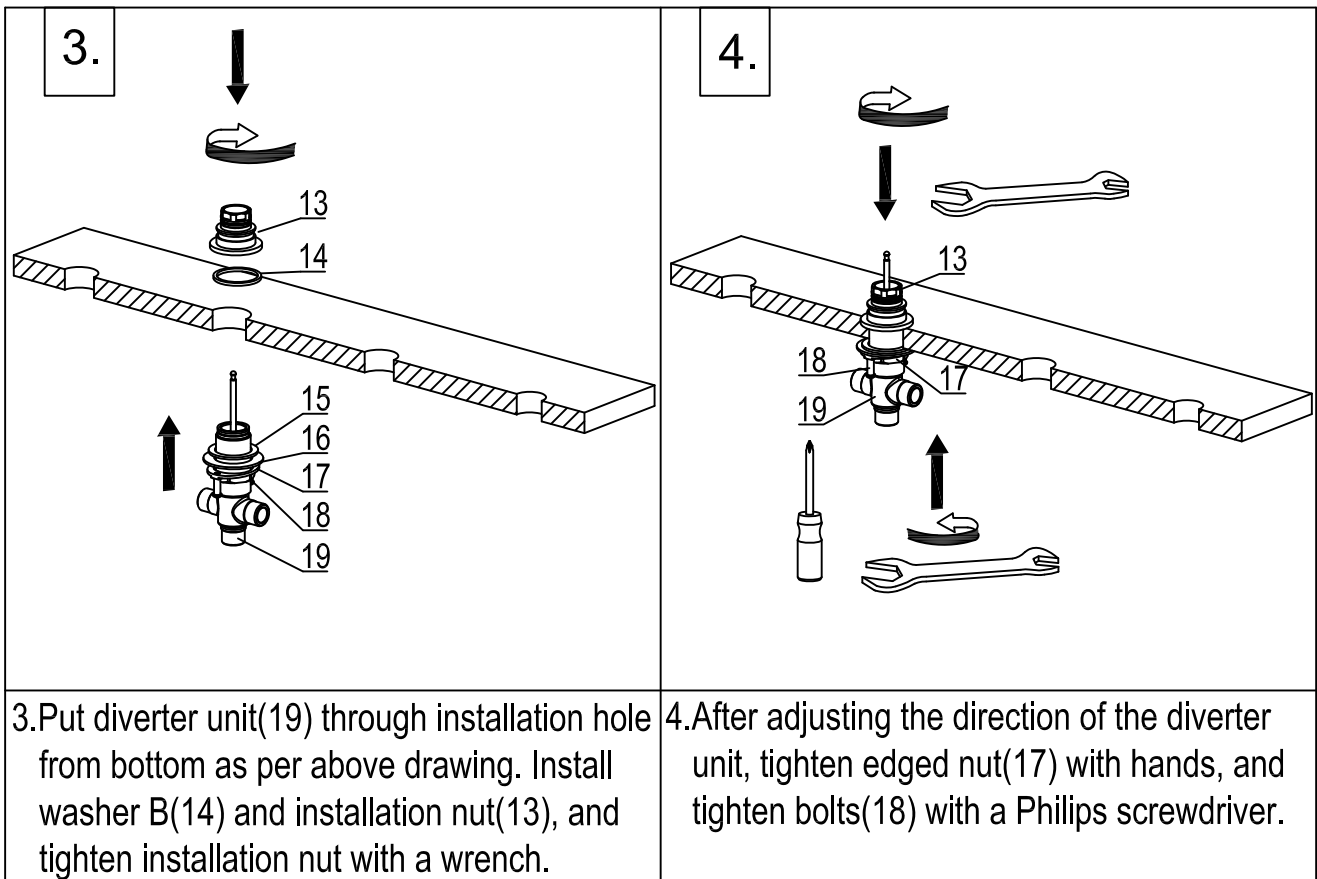


1. Prepare the installation plate and dig holes as per above dimension. The distance between two holes :120~200mm.

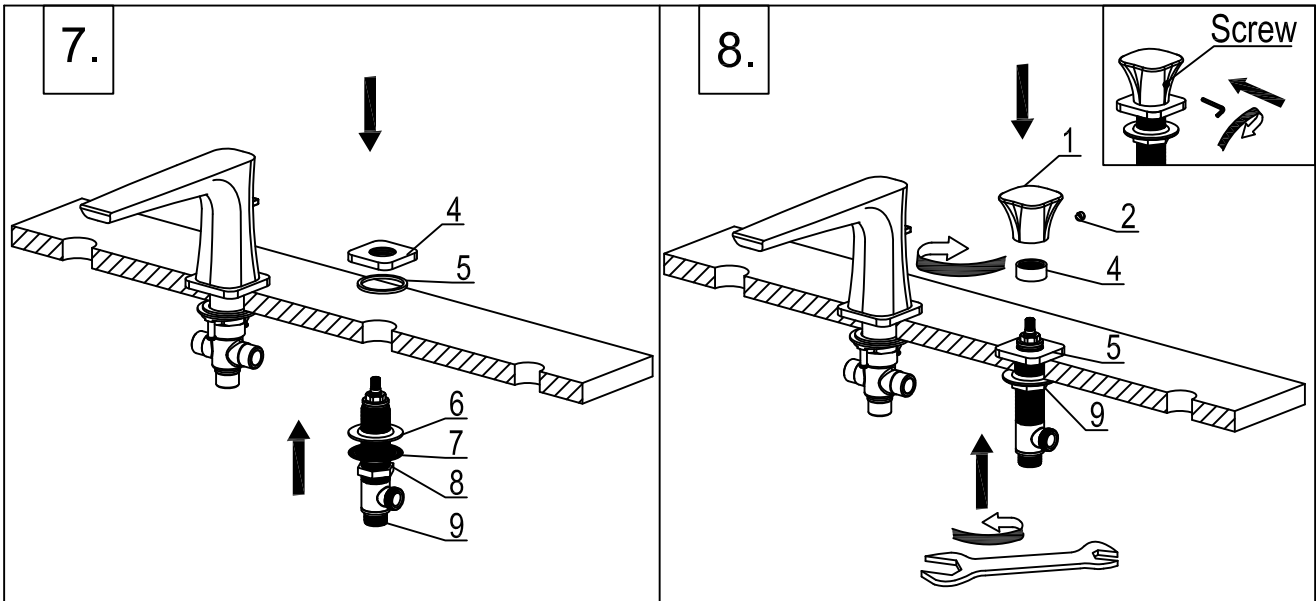


2. Loosen screws on the back of spout(11) with allen wrench(27), remove diverter tip(10), spout(11), base B(12), installation nut(13) and washer C(14) from diverter unit(19).

SINGLE-LEVER 3-HOLE SHOWER / BATH MIXER
 SINGLE-LEVER 3-HOLE (PRESSURE BALANCED) SHOWER / BATH MIXER
 DOUBLE-HANDLE 4-HOLE SHOWER / BATH MIXER

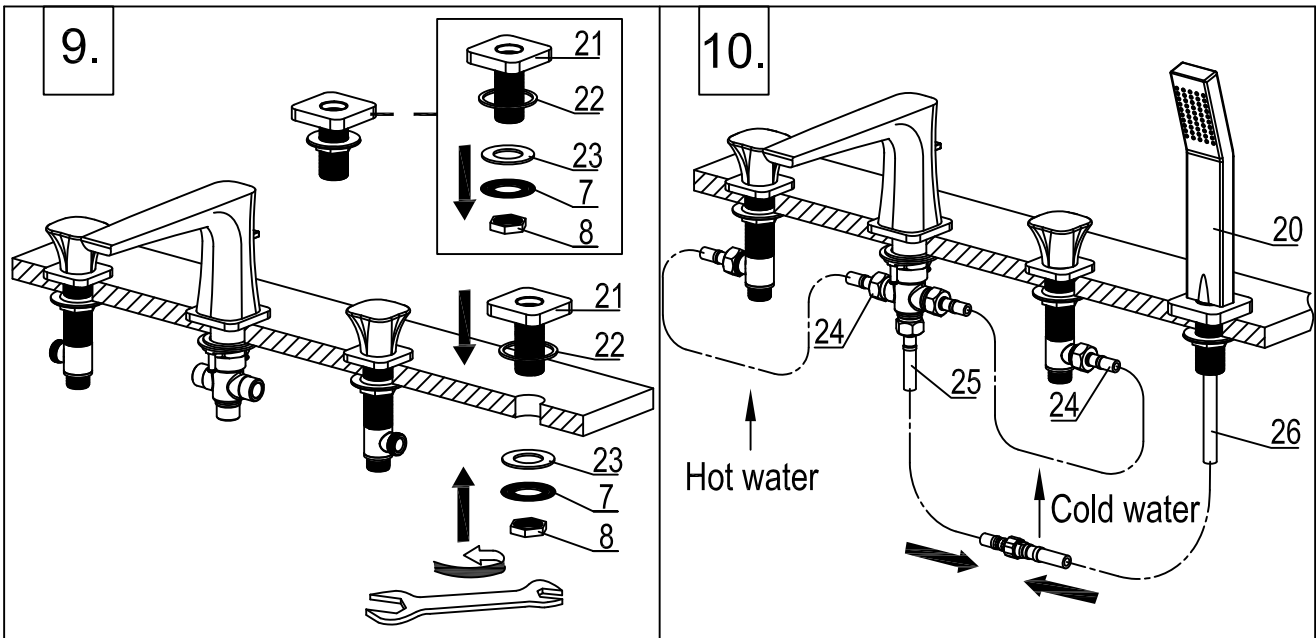


SINGLE-LEVER 3-HOLE SHOWER / BATH MIXER
 SINGLE-LEVER 3-HOLE (PRESSURE BALANCED) SHOWER / BATH MIXER
 DOUBLE-HANDLE 4-HOLE SHOWER / BATH MIXER



7. put control valve unit with taper washer(6), metal gasket A(7) and hex nut(8) into installation hole from bottom, then install washer A(5) and base A(4).

8. After adjusting control valve unit and base A position, tighten hex nut with a wrench to fix on control valve. Then refix cartridge cover, handle and decorative plug. The installation procedures of the left & right control valve unit is the same.



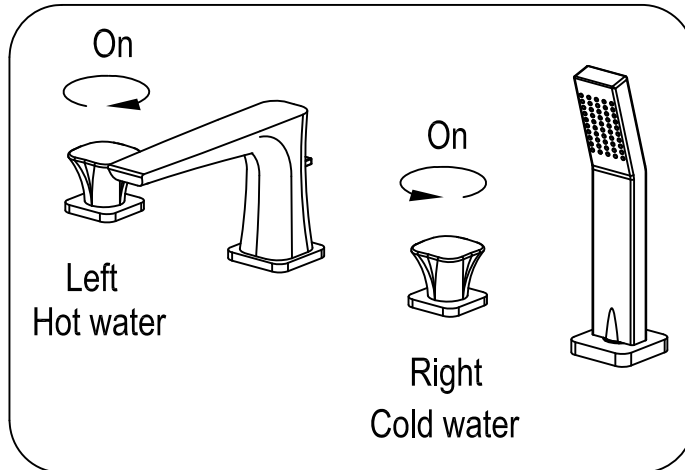
9. Remove hex nut(8), metal gasket A(7) and washer E(23) from shower hook(21). Put shower hook with washer D(22) into installation hole. Then refix washer E, metal gasket A and hex nut from the bottom.

10. Connect correctly supply hoses, dicephalous hoses(24), connecting hose(25), shower hose (26) and handshower as per above drawing. Turn on water supplies and check for leaks to finish installation.

✳️ Usage

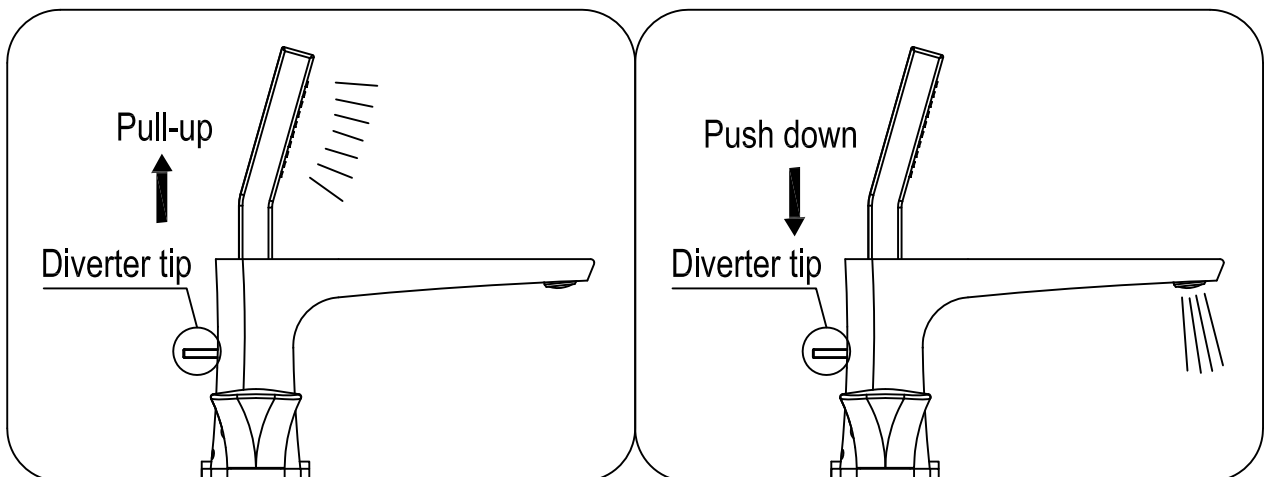
☆ Handle:

- 1) Control hot water with the left handle, and cold water with the right hand.
- 2) Turn the left handle clockwise to open left valve, the more you turn, the large flow rate you will get. To close or reduce the flow rate, just turn opposite way. To open the right valve, just operate in reverse.



☆ Diverter:

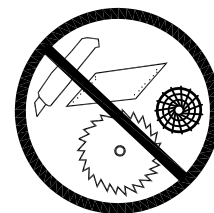
- 1) Pull-up the diverter tip to switch water from spout to handshower.
- 2) Push down the diverter tip to switch water from handshower to spout.



✂️ Cleaning and Maintenance

☆ To keep the product looking new, please follow the steps as below:

1. Simple rinse the product clean with clear water and dry the product with a soft cotton cloth.
2. Use mild liquid detergents, clear ammonia free liquid glass cleaners or non-abrasive liquid polishers to remove surface dirt and film.
3. Do not use any scrubbing detergent, abrasive liquid polishers, a cloth with coarse surface, tissue or scraper.
4. Do not use acid detergent, indissolvable grain-like detergent or soap.
5. Aerator may accumulate dirt causing distorted and reduced water flow. Unscrew aerator and rinse clean, and then screw onto spout.



✂️ Important notices:

☆ In order to protect environment and reduce pollution, used product to be discarded should following local waste materials handling codes:

1. Used copper pieces, stainless steel material recycle could be recycled, which saving resources.
2. Used batteries and circuit board which contains hazardous substance to be handled by professional institution, DO NOT discarded, or it will cause accident or pollution.

✂️ This installation manual is only for your reference. All rights reserved.