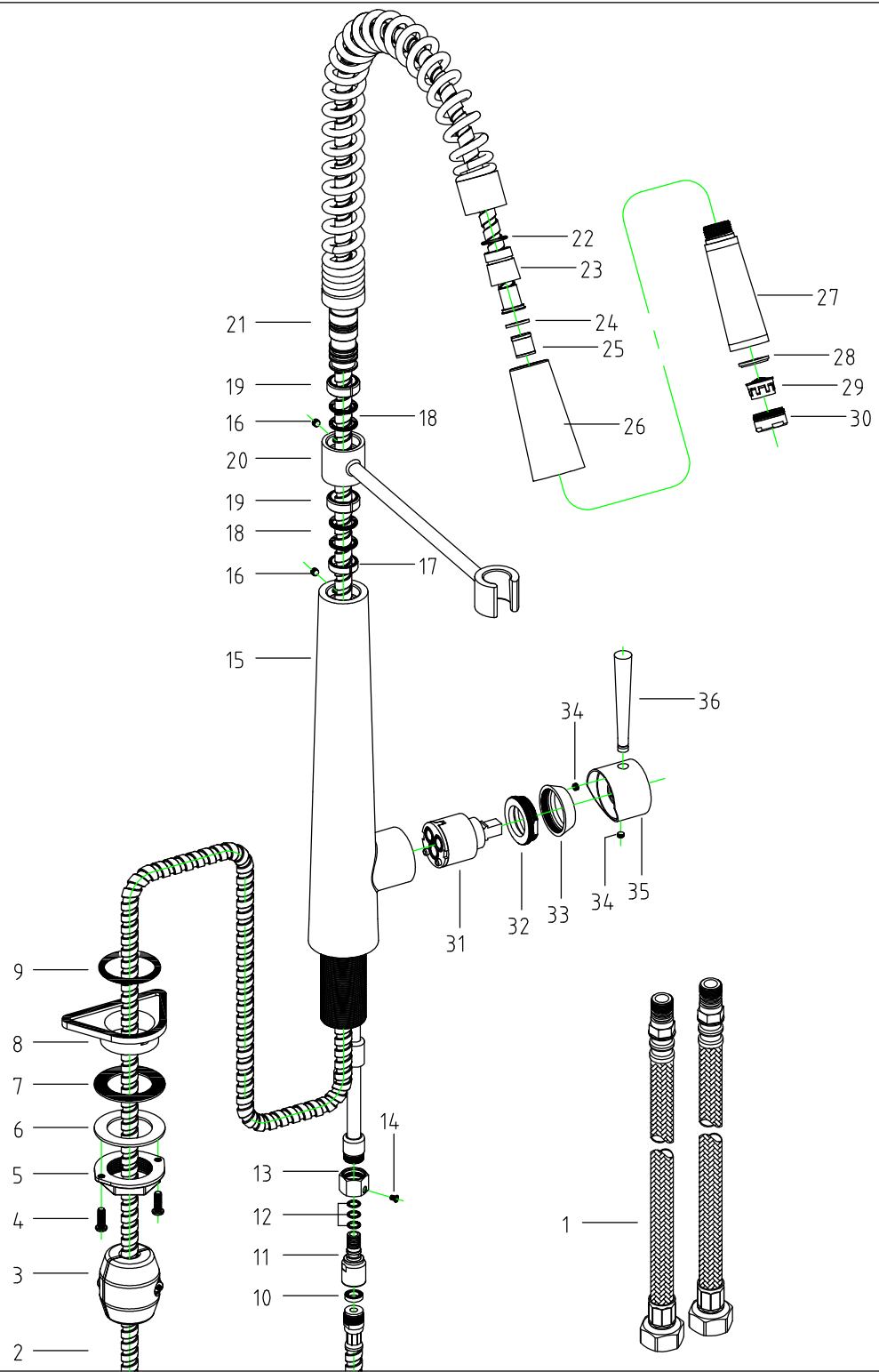


Scale 1:0.195



36	GT2039-05	handle lever	1	φ13 L82	304	brushed
35	V458	handle cover	1	M5	304	brushed
34	SCW-50040U-A	screw	2	M5 L4	304	
33	V459	fixed cover	1	M34×1	304	brushed
32	V460	screw nut	1	M37×1 M34×1	304	
31	KS-35LA-KEROX	cartridge	1	35#	ceramix	KEROX
30	V140	aerator cover	1	M24×1	304	brushed
29	CASCADE A OR B	aerator	1	M24×1	plastic	DVGW
28	WSR-230146300-R	gasket	1	φ23×φ14.6×3	silicone	KTW
27	DLT001-02	shower core	1	M24×1 G1/2	POM	white
26	DLT001-01	hand shower	1	φ34	304	brushed
25	DW15/DN10	check valve	1	φ15	plastic	DVGW
24	WSR-190110220-R	rubber ring	1	φ19×φ11×2.2	rubber	NFS
23	V818	hose connector	1	G1/2	304	brushed
22	OR-200200	O ring	1	φ20×2	dingqing	KTW
21	GT2039-02	spring	1	φ32	304	brushed
20	GT2039-03	shower holder	1	φ32	304	brushed
19	V811	plastic sleeve	2	φ24.4	PA6	white
18	OR-213265	O ring	4	φ21.3×2.65	dingqing	black
17	V812	plastic sleeve	1	φ21.8	PA6	white
16	SCW-50050U-A	screw	2	M5 L5	304	
15	GT2039-01	body	1	M37×1	304	brushed
14	SCW-30050X-S	fixed screw	1	M3 L5	304	
13	V144	screw	1	M3	304	
12	OR-100150	O ring	3	φ10×1.5	dingqing	KTW
11	V143	check valve	1	M15×1	304	
10	WSR-135080300-R	rubber ring	1	φ13.5×φ8×3	rubber	NFS
9	OR-464420	O ring	1	φ46.4×4.2	rubber	black
8	V814	plastic base	1	φ37.5	plastic	white
7	WSR-530340200-R	rubber ring	1	φ53×φ34×2	rubber	black
6	V125	gasket	1	φ53×φ34.3×1.5	304	
5	V122	screw nut	1	M34×1.5	304	
4	V657	screw	2	M5	304	
3	ZC-600G	weight ball	1	600g	lead alloy	black
2	DLG-M1517500-1	shower hose	1	M15×1 L1750	304	NSF
1	FHS-G1/2M10500-1	flexible hose	2	M10×1 L500	304	NFS

NO	Parts models	Name of parts	QTY	Specifications	Material	Remarks
Series name		Drawing people		Stronge Zeng	inspector	Norman Yang
Customer number		Factory number		GT2039	date	2012-12-18
Product name		Sink mixer with pull-out hand spray			Editions	A

Gettai Sanitary Products Co.,Ltd