

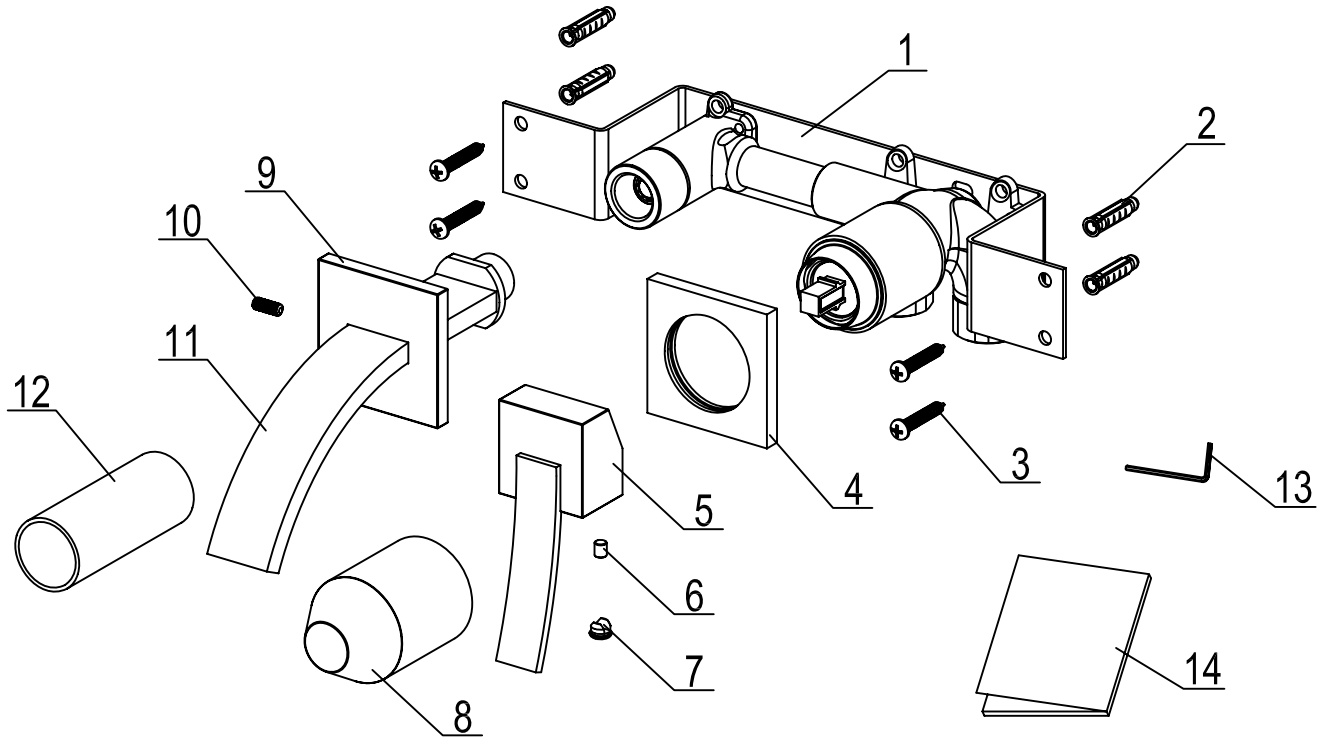
※ ACCESSORIES CHECKING

LIST OF THE STANDARD ACCESSORIES:

Please double-check the accessory list hereinafter and contact our company or our distributor for any unconformity.

Remarks:

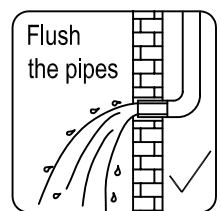
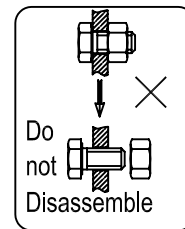
- 1, Without affecting their performing, accessories may be changed without further notice.
- 2, Drawings for reference only. Product size & shape refer to actual faucet.



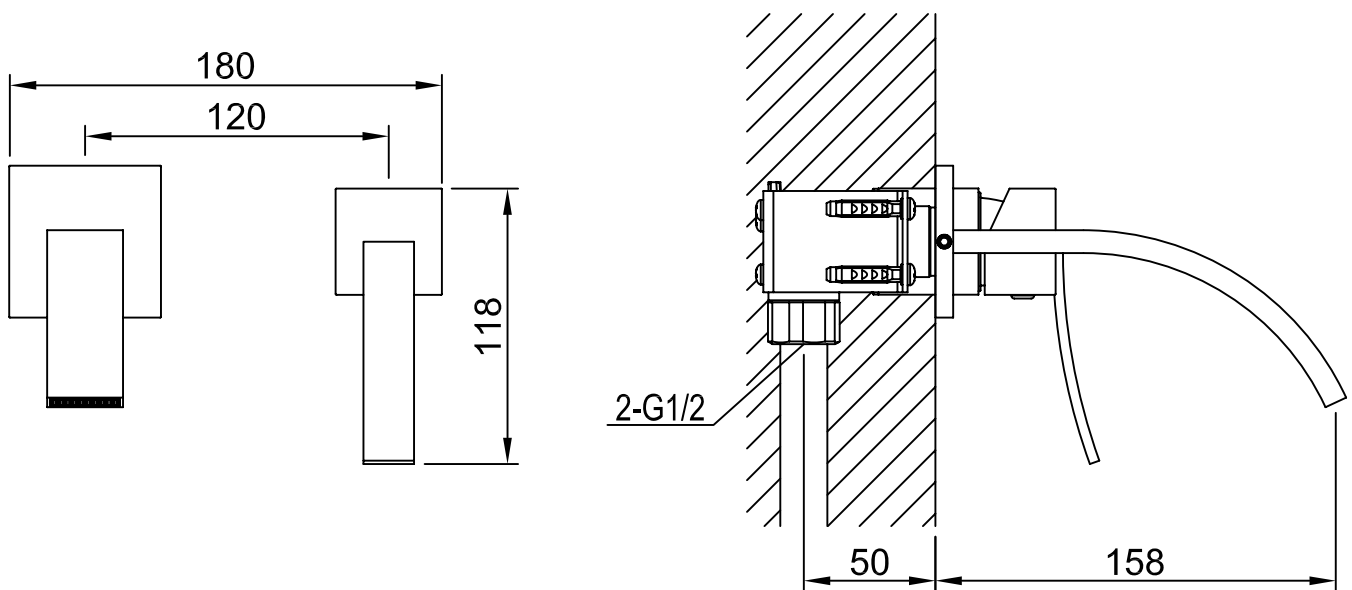
The component list	QTY	The component list	QTY	The component list	QTY	The component list	QTY
1.Main body	1	5.Handle	1	9. Cover plate 2	1	13.Allen key	1
2.Expansion plug	4	6.Screw 1	1	10. Screw2	1	14.Instruction manual	1
3.Self-tapping screw	4	7.Indicator	1	11. Spout set	1		
4.Cover plate 1	1	8.Plastic guard 1	1	12. Plastic guard 2	1		

※ Installation Instructions

- ☆ Do not disassemble the main body, as it has been installed & commissioned correctly & precisely before leaving the factory.
- ☆ To avoid the faucet from jamming, do flush the water pipe before installation.
- ☆ After installation, make sure every joint safely sealed & no leaking.
- ☆ The nominal water pressure is 0.05 -1.0Mpa (including cold & hot water pressure), suitable for water temperature from 4℃ to 90℃.
- ☆ Make sure to connect the hot/cold inlet pipe correctly, if standing in front, hot water pipe connecting to the left & cold water pipe connecting to the right.



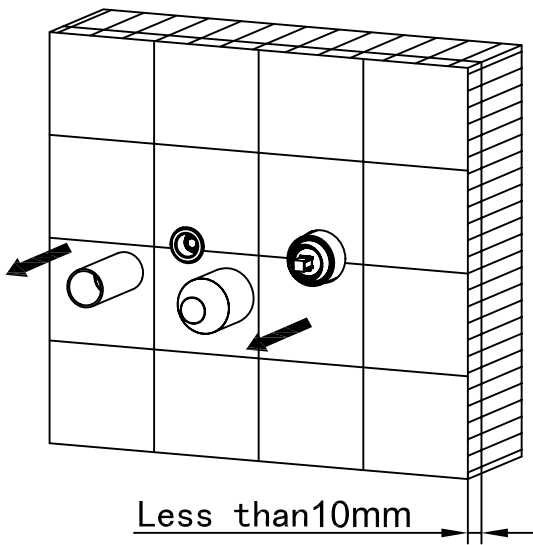
※ Dimension Drawing



※ Installation Procedures

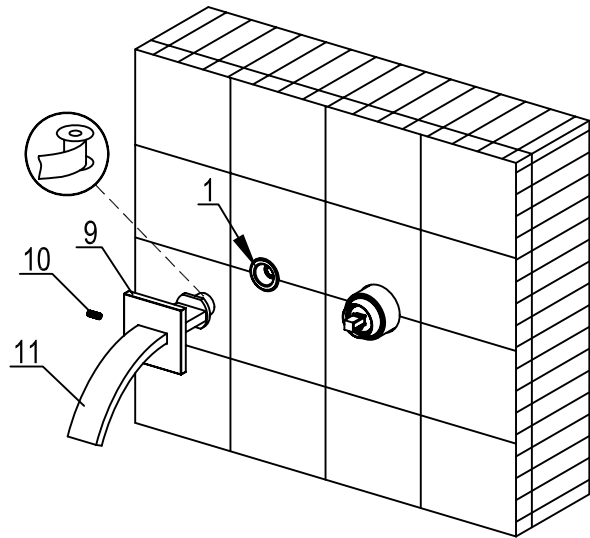
<p>1.</p> <p>Dig wall view</p>	<p>2.</p>
<p>1. Measure the positions of the 4Ø6 holes in the wall space of pre-digged, knock the expansion plug(2) into the holes.</p>	<p>2. Fixing the main body(1) on the wall by the self-tapping screw(3), connecting the water supplying pipes and test the tightness of water supplying according to the following water pressure conditions:</p> <ol style="list-style-type: none"> 1) While closing of cartridge: <ul style="list-style-type: none"> ≤1.6MPa to test the supplying pipes and faucet; 2) While opening of cartridge, do not block the water outlet: <ul style="list-style-type: none"> ≤0.4MPa to test the supplying pipes and faucet; <p>Make sure the tightness of the faucet and pipes, put the plastic guard 1(8)and plastic guard 2(12).</p>

3.



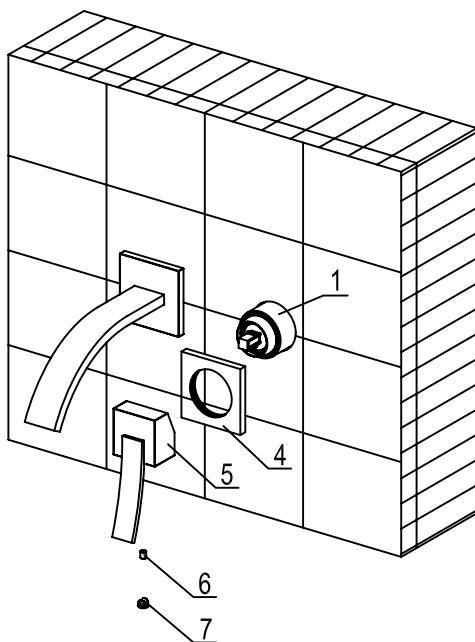
3. Fill the empty parts around the main body with cement, paste the bricks after covering the groove, the thickness of the brick parts should be no more than 10mm. Remove the plastic guard after cement air dried.

4.



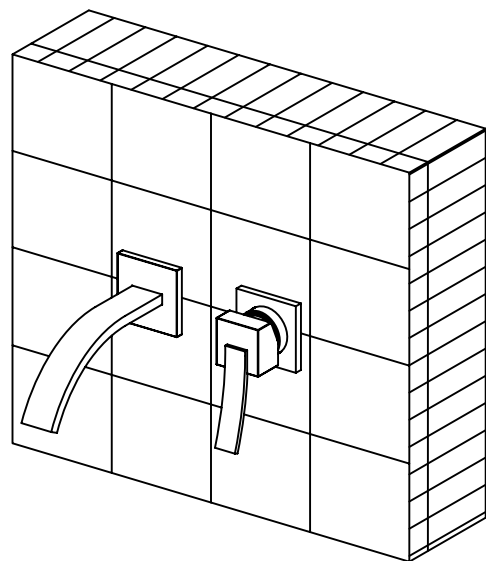
4. Then twist PTFE tape on the thread of the spout set(11), put the spout set to the main body(1), and install the cover plate2(9) to the wall and fix it with screw2(10).

5.



5. Put the cover plate1(4) to the main body(1), fix the handle(5) by the screw1(6) on the control valve, and put the indicator (7) on.

6.

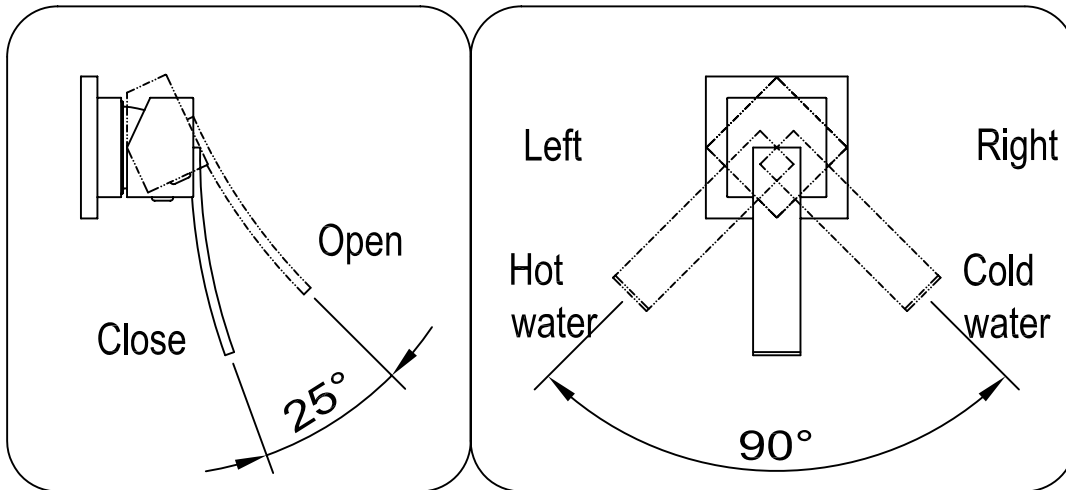


6. Finally, connect the inlet hose and outlet hose, open the water supply and test the tightness to confirm finishing installation.

※ Usage

☆ How to operate the mixer handle:

- 1) Raise the handle lever up for opening water, push down to close.
- 2) Turn the handle lever to the left to increase hot water flow, to the right to lower water temperature.



※ Cleaning & Maintenance

☆ To keep the product clean & shining, follow the steps as below:

1. Flush with clean water & dry with soft cloth only;
2. If any dirt, clean with soft liquid or transparent glass detergent.
3. Do not use any scrubbing detergent, polisher, sand-cloth, paper tissue or scraper.
4. Do not use acid detergent, indissolvable grain-like detergent or soap.
5. Circumrotate the aerator off and clean it when necessary.



※ This installation instruction is only for your reference,
the final right to explain & to revise it belongs to us.

Serial number: 80010101497