

Mantova Series Vanities: 805-V47.3-GW 805-V47.3-WLT

Optional Metal Bases (sold separately): 805-B18.1-MBK 805-B18.1-BNK 805-B18.1-CB

## Assembly/Installation Instructions

### Important Notes:

This vanity cabinet may be used freestanding, or may be mounted to a wall (floating).

If you are using this cabinet as a freestanding unit with the stainless steel base, please follow the instructions on pages 06 - 09 \*.

If you are using this cabinet as a wall mounted (floating) unit, please refer to pages 01 - 05 \*

### Materials for Installation:



Level

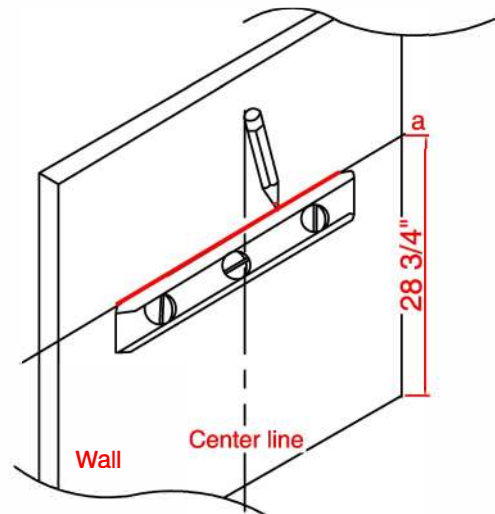
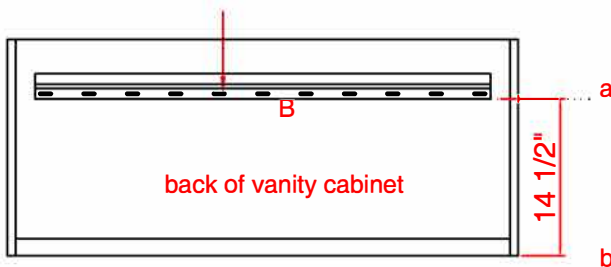


Tape  
Measuring



Pencil

**B** pre-attached metal mounting  
(French Cleat) brackets



### Step 1 Notes:

The metal mounting bracket has been pre-installed to the backside of the cabinet 14 1/2" from the bottom of the cabinet, remove one piece from the back of the cabinet .

### Step 2 Notes:

Draw a horizontal line on the wall at your desired height. For this cabinet, most people use a height of 28 3/4"

\* For your safety and to achieve the best possible installation of this vanity cabinet, James Martin Vanities always recommends you consult with a professional contractor. Two people are required for the assembly and installation of this vanity cabinet.

Mantova Series Vanities: 805-V47.3-GW 805-V47.3-WLT

Optional Metal Bases (sold separately): 805-B18.1-MBK 805-B18.1-BNK 805-B18.1-CB

Assembly/Installation Instructions

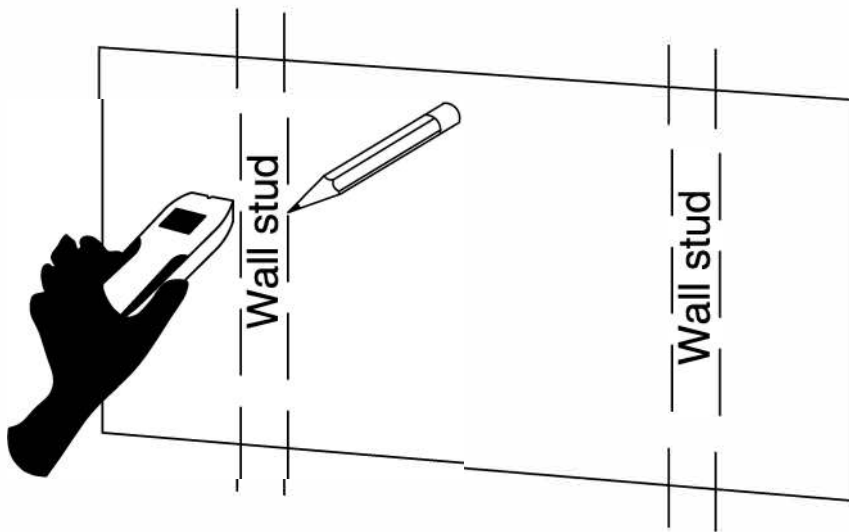
**Materials  
for  
Installation:**



Stud Finder



Pencil



**Step 3 Notes:**

Locate and mark the position of the wall's interior studs to which you will fasten the metal bracket.

We recommend the use of an electronic stud finder to locate the studs.

(Alternately, you may find studs by listening for a solid sound as you knock on the wall)

**Special Note 1:**

If the studs in your bathroom do not line up to the mounting location for your vanity, additional wood blocking can be installed between the studs using standard 2 x 4 lumber.

**Special Note 2:**

This vanity must be installed into at least 3 studs or wood blocking.

**IMPORTANT:**

James Martin Vanities recommended you always consult with professional installers and contractors regarding the correct installation of our products.

Mantova Series Vanities: 805-V47.3-GW 805-V47.3-WL T  
Optional Metal Bases (sold separately): 805-818.1-MBK 805-818.1-BNK 805-B18.1-CB

## Assembly/Installation Instructions

### Materials for Installation:



Drill



Pencil



Hammer

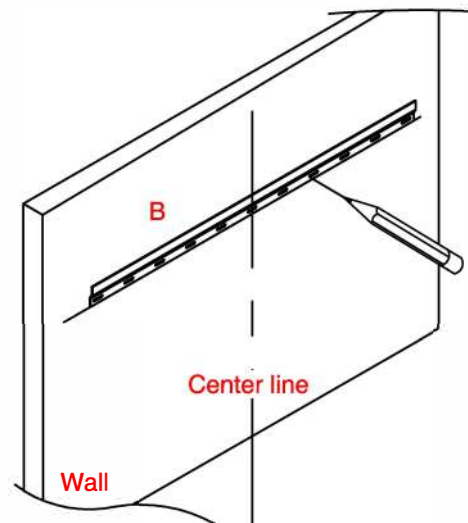
#### Step 4 Notes:

After you have located the wall studs, position the metal bracket so the holes align with the center points of the studs. Mark these positions with a pencil.

A=11PCS Screws for Bracket  $\text{Ø}4 \times 40\text{mm}$

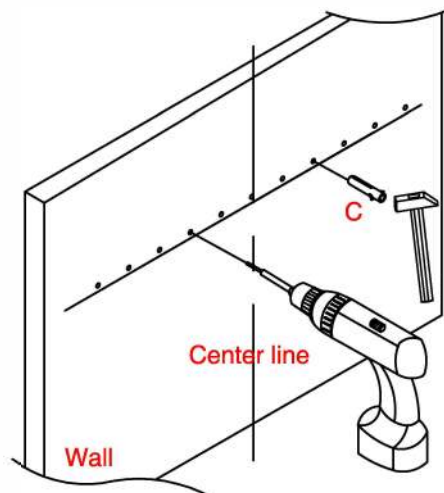
B=1PC Metal Bracket (42 1/8" 1070mm)

C=11PCS Drywall Anchors (optional)  $\text{Ø}8 \times 38\text{mm}$



#### Step 5 Notes:

Drill holes for the screws in the positions you have marked with the pencil. Drill the holes' depth no less than 1 1/2", insert "C" to the holes by using hammer if wall studs are not in the correct positions.



Mantova Series Vanities: 805-V47.3-GW 805-V47.3-WL T  
Optional Metal Bases (sold separately): 805-818.1-MBK 805-818.1-BNK 805-B18.1-CB

Assembly/Installation Instructions

**Materials  
for  
Installation:**

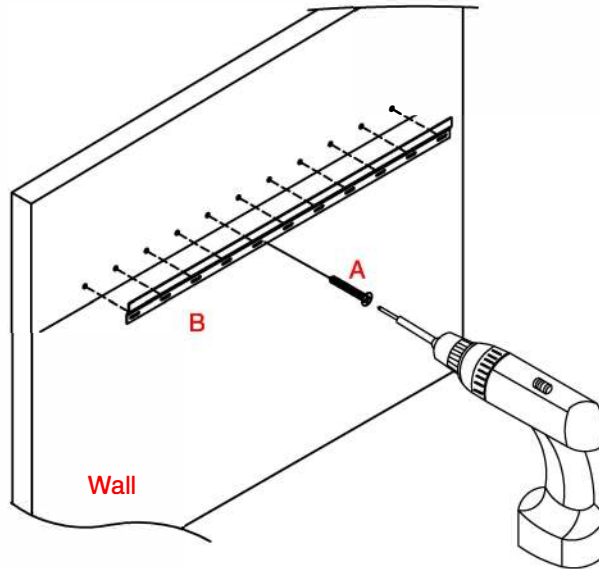


Drill

**Step 6 Notes:**

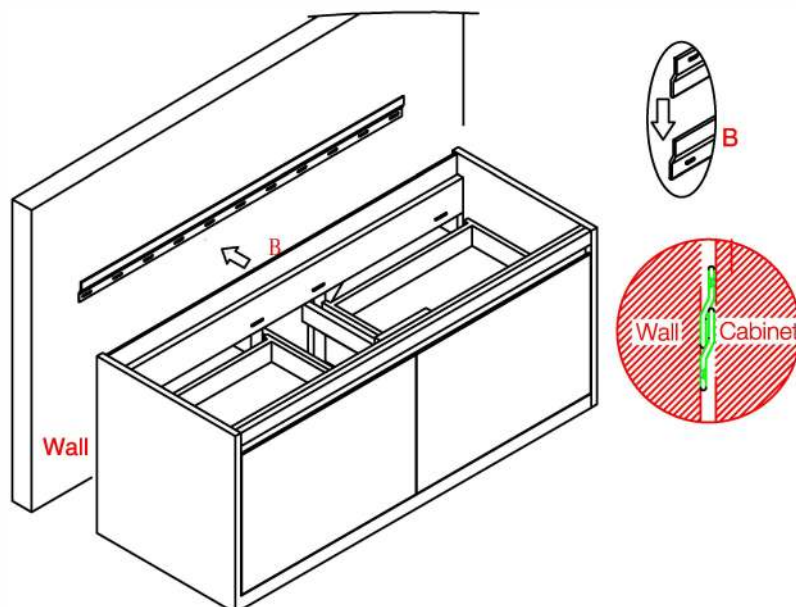
Attach the metal bracket **B** to the Wall using the screws **A** included in the red hardware bag.

\*Use hardware **C** (drywall anchors), if wall studs are not in the correct positions.



**Step 7 Notes:**

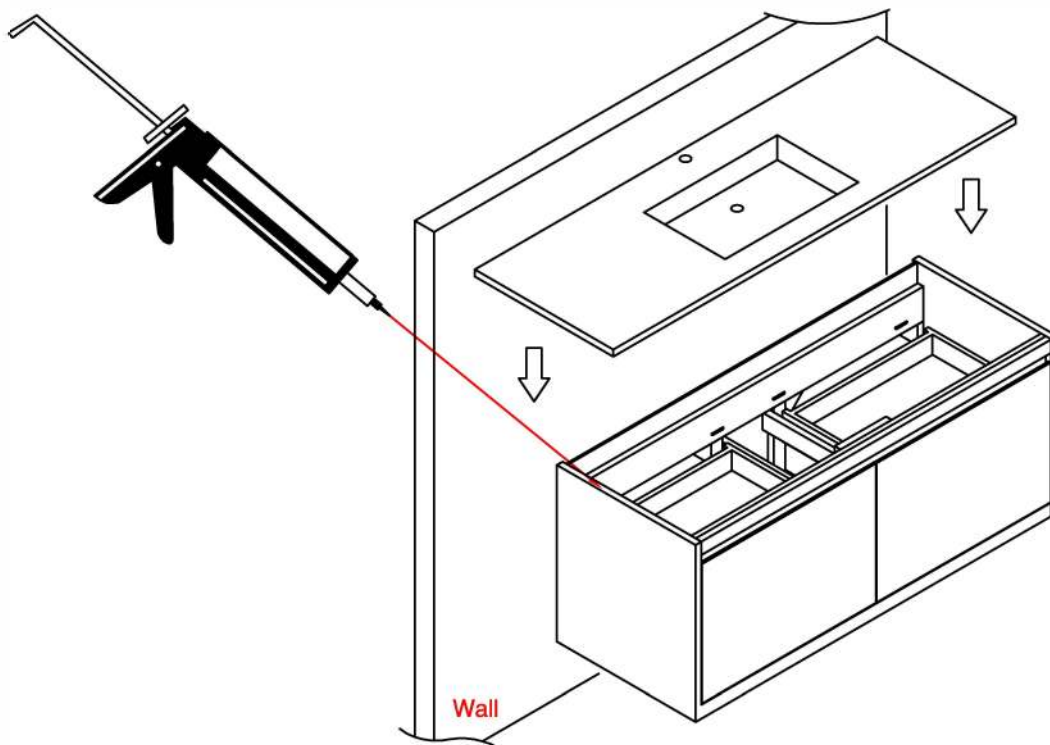
Hang the cabinet on the metal bracket (Figure B)



Mantova Series Vanities: 805-V47.3-GW 805-V47.3-WL T  
Optional Metal Bases (sold separately): 805-818.1-MBK 805-818.1-BNK 805-B18.1-CB

Assembly/Installation Instructions

**Materials  
for  
Installation:**

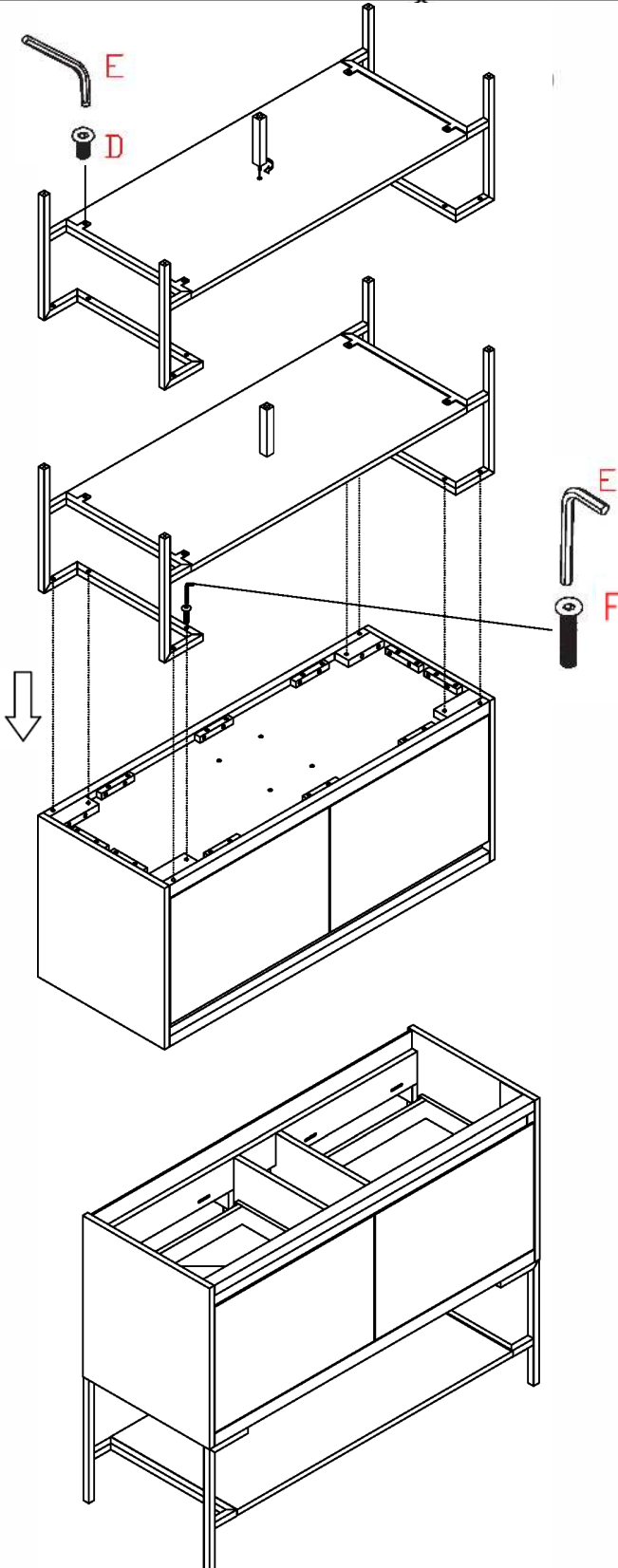


**Step 8 Notes:**

Properly align and secure the countertop to the cabinet with high quality adhesive.

Mantova Series Vanities: 805-V47.3-GW 805-V47.3-WL T  
 Optional Metal Bases (sold separately): 805-818.1-MBK 805-818.1-BNK 805-B18.1-CB

### Assembly/Installation Instructions



\* For your safety and to achieve the best possible installation of this vanity cabinet, James Martin Vanities always recommends you consult with a professional contractor. Two people are required for the assembly and installation of this vanity cabinet.

**Warning:** To prevent accidental tip-over of these cabinets, you must follow these steps.

**Step 1b Notes:**  
 Place the vanity cabinet upside down on a blanket or other soft material, to prevent scratching.

**Step 2b Notes:**  
 Attach the metal bolts (D) to the bottom of the vanity cabinet. Secure the bolts by turning the Allen Wrench (E)

**Step 3b Notes:**  
 Once the metal base has been safely and securely attached to the vanity cabinet, you may return the cabinet to the upright position.

D= 4PCS Bolts 1/4" x 1/2"

E= 1 PC Allen Wrench (#4)

F= 8PCS Bolts 1/4" x1"



Mantova Series Vanities: 805-V47.3-GW 805-V47.3-WL T  
Optional Metal Bases (sold separately): 805-818.1-MBK 805-818.1-BNK 805-B18.1-CB

Assembly/Installation Instructions

**Materials  
for  
Installation:**



Drill



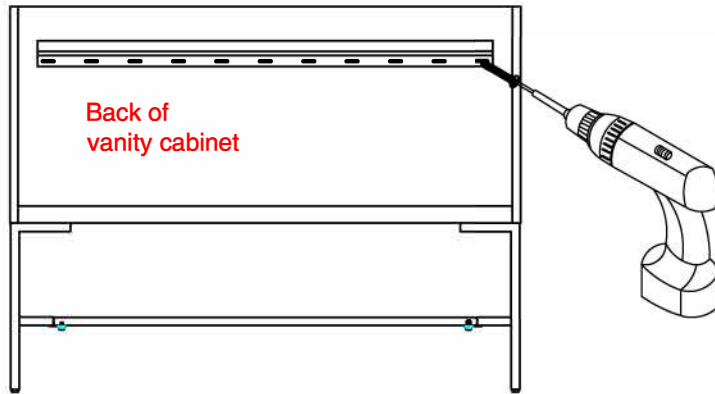
Level



Pencil

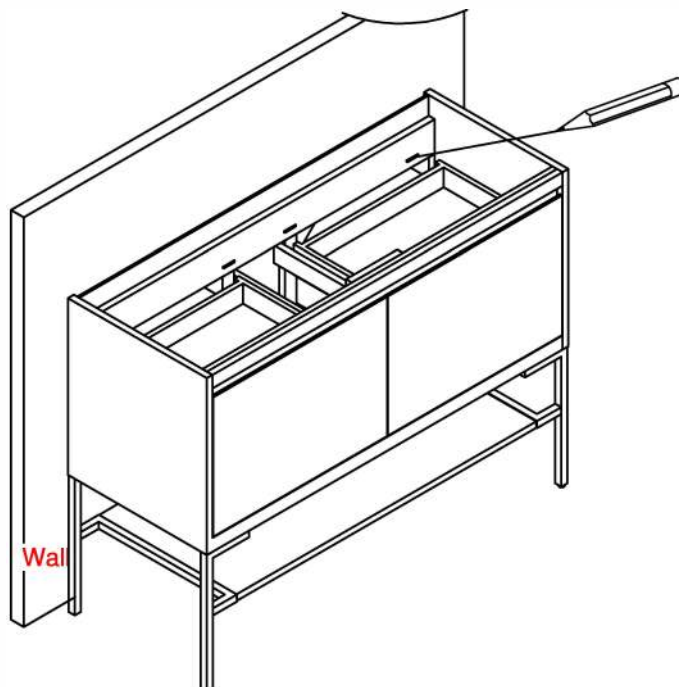
**Step 4b Notes:**

Remove the pre-attached metal mounting (French Cleat) brackets.



**Step 5b Notes:**

Put the cabinet against the wall, mark the positions with a pencil through the pre-drilled holes on the back rail.



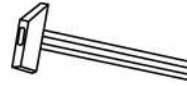
Mantova Series Vanities: 805-V47.3-GW 805-V47.3-WL T  
Optional Metal Bases (sold separately): 805-818.1-MBK 805-818.1-BNK 805-B18.1-CB

Assembly/Installation Instructions

**Materials  
for  
Installation:**



Drill

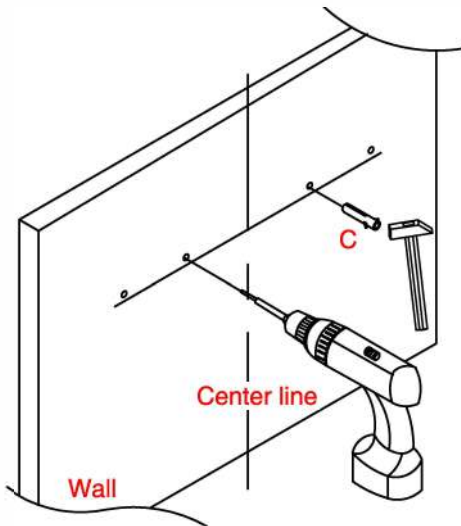


Hammer

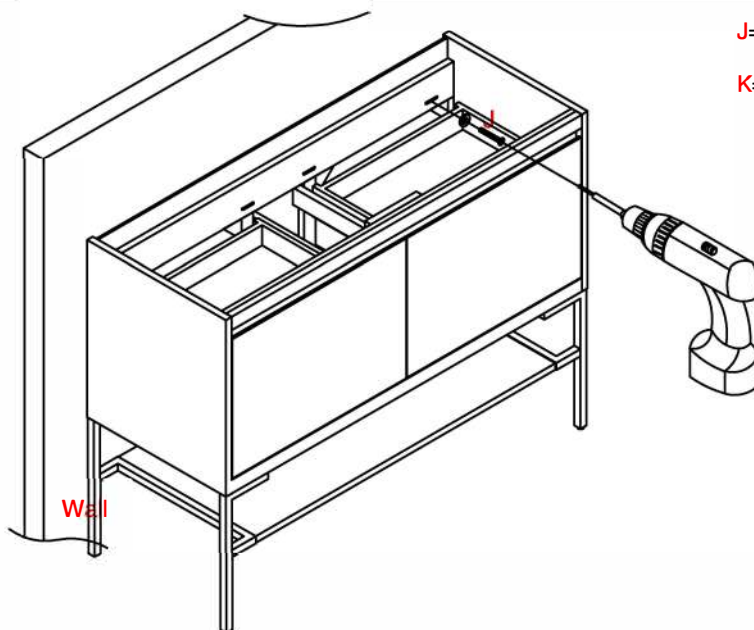
**Step 6b Notes:**

Drill holes for the screws in the positions you have marked with the pencil.

Drill the holes' depth no less than 1 1/2", insert hardware **C** (drywall anchors) to the holes by using hammer if wall studs are not in the correct positions.



**C**=4PCS drywall anchors (optional) Ø8\*38mm



**J**=4PCS Screw Ø4\*60mm



**K**=4PCS Flat Washer Ø11mm



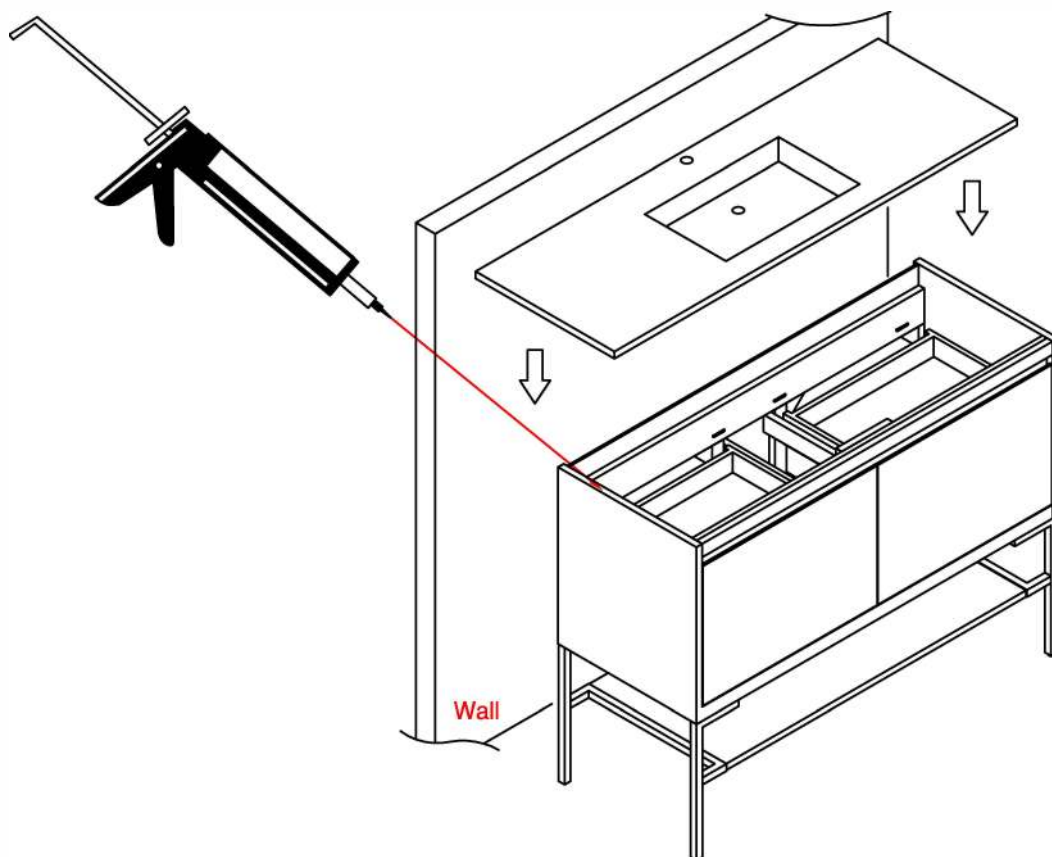
**Step 7b Notes:**

Secure the cabinet to the wall using hardware **J** (screws) and Flat Washer **K** for wall studs.

Mantova Series Vanities: 805-V47.3-GW 805-V47.3-WL T  
Optional Metal Bases (sold separately): 805-818.1-MBK 805-818.1-BNK 805-B18.1-CB

Assembly/Installation Instructions

**Materials  
for  
Installation:**



**Step 8b Notes:**

Properly align and secure the countertop to the cabinet with high quality adhesive.