

TUB WALL MOUNT FILLER WITH HANDSHOWER

Cat. No.
7088

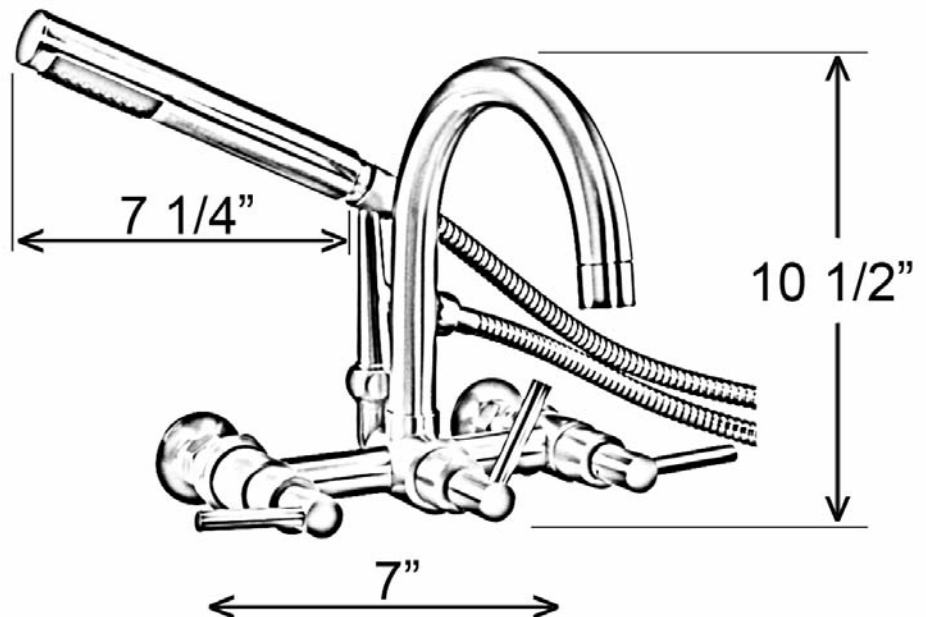


Features:

- ▶ Solid Brass Construction
- ▶ 1/4" Turn Ceramic Disc Cartridges
- ▶ Gooseneck Spout
- ▶ Wand Style Hand Shower
- ▶ Couplers Included
- ▶ 7" Centers
- ▶ Swing arm couplers (4501) can be purchased separately to convert to adjustable centers
- ▶ 5" Handshower Hose
- ▶ Vacuum Breaker for Handshower Sold Separately (7799)
- ▶ Available in 3 finishes

Finishes:

- CP** Polished Chrome
- SN** Brushed Nickel
- ORB** Oil Rubbed Bronze



Dimensions are nominal and may vary. Dimensions and specifications subject to change without notice.