

PREP/BAR SINK

Cat. No.
6516



Features:

- ▶ 18 Gauge Metal
- ▶ Copper has natural bacterial fighting properties
- ▶ Copper is a Living Finish and will Patina Over Time
- ▶ Pewter will Not Patina Under Normal Circumstances

Finishes:

AC Hammered Antique Copper
PE Hammered Pewter

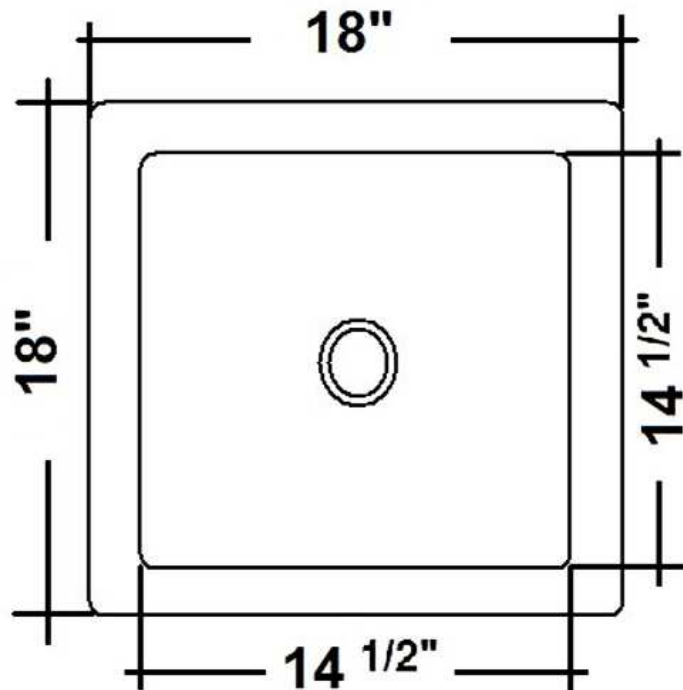
Compliance Certification
Material is consistent with
UNS C81100 Copper Casting
Alloy with respect to chemical
composition.

W: 18"

D: 18"

Interior Dimensions:

Basin: 14 1/2" x 14 1/2"
Basin Depth: 6 3/8"



Dimensions of fixture are nominal and may vary. Dimensions and specifications subject to change without notice.