

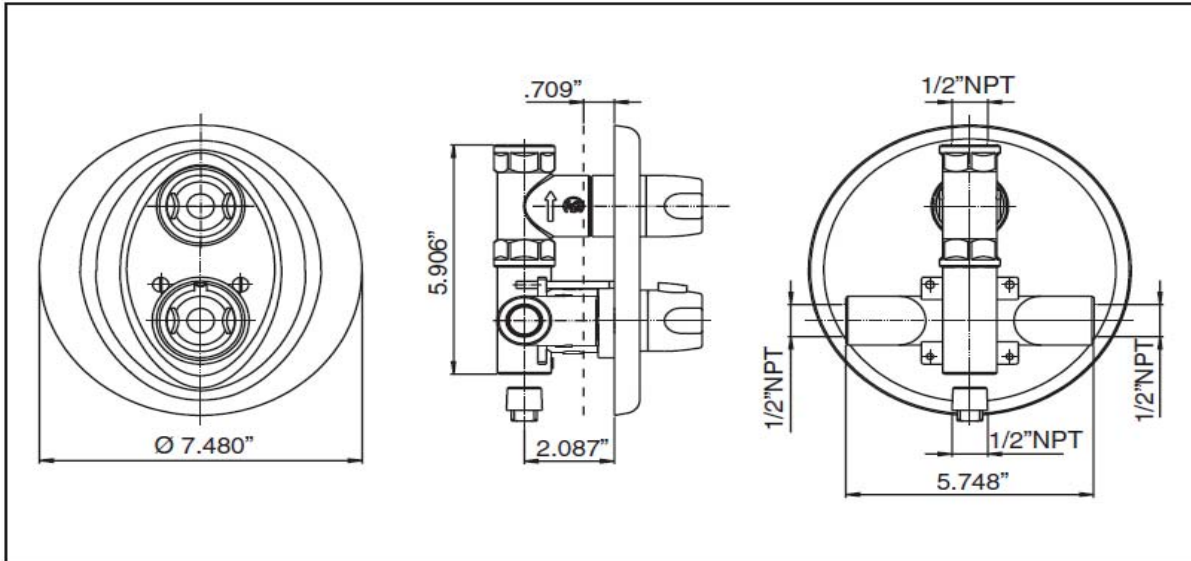
# *Thermostatic valve* *Termostatico ducha*

*Assembly and use - Montaje y uso*

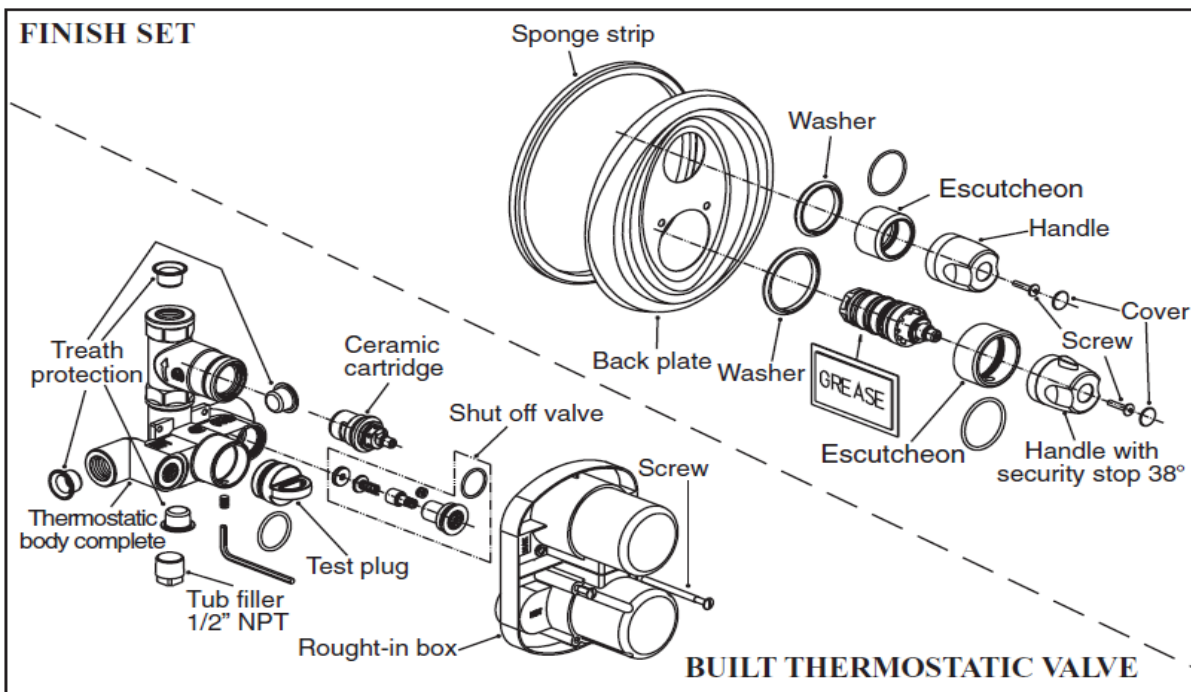


**TOSCANA**  
*by Pairei*

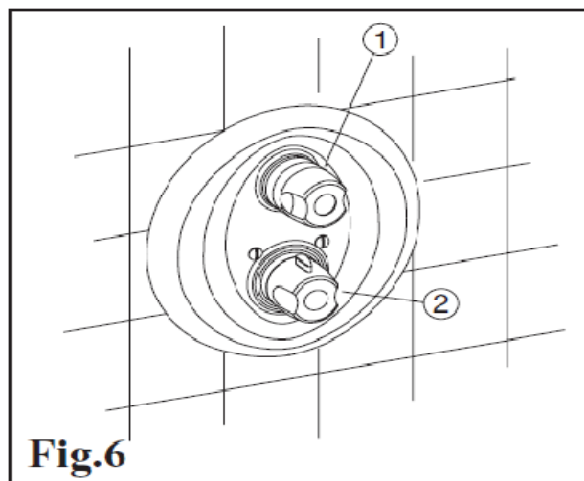
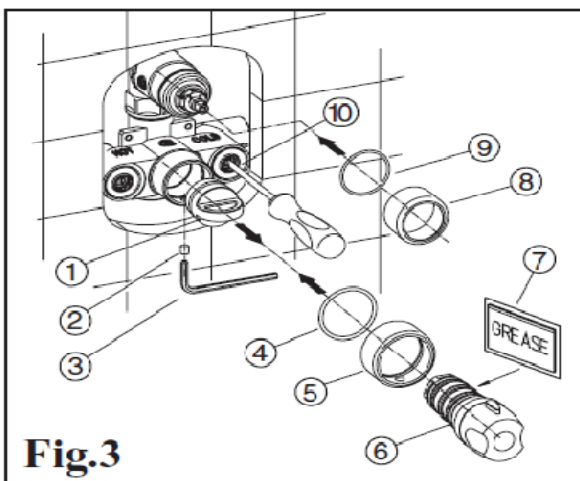
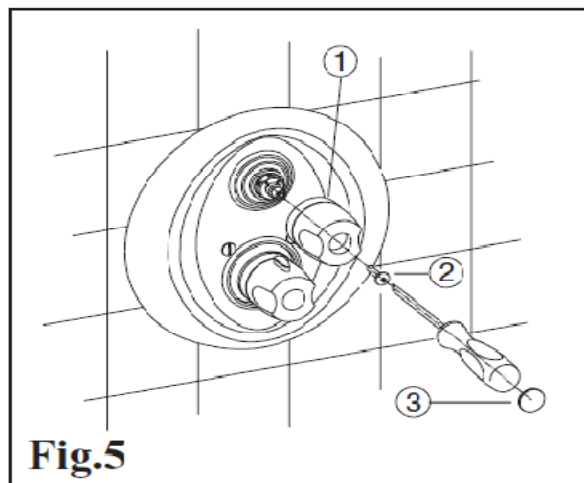
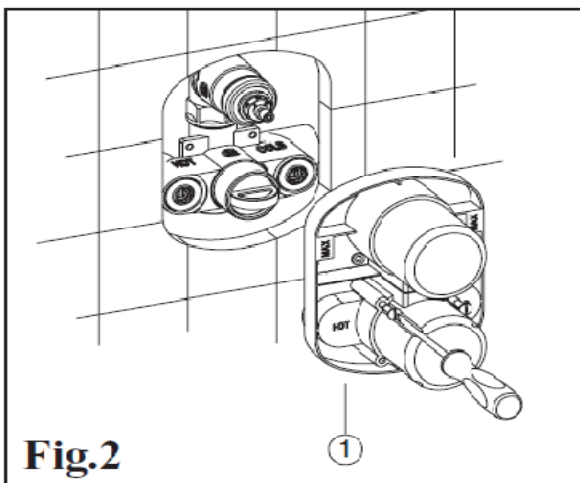
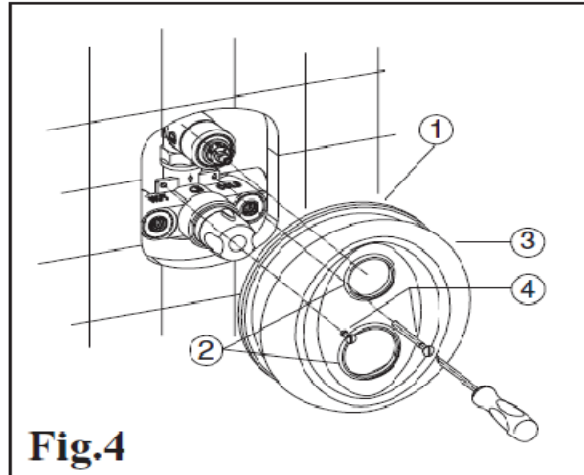
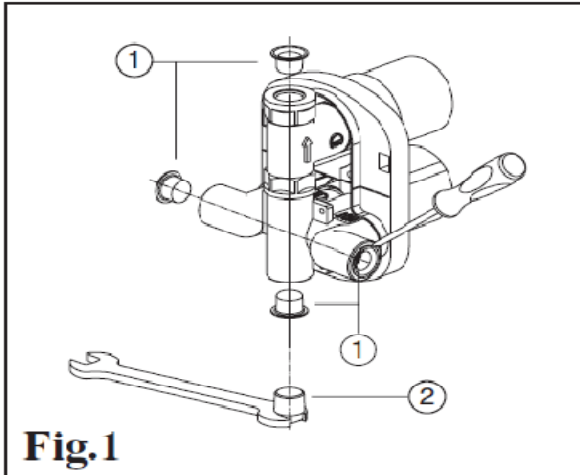
# TECHNICAL DRAWING • DIBUJO TECNICO



# COMPONENTS • COMPONENTES



# INSTALLATION • INSTALACION



## UK Fitting instructions

The thermo shower valve functions to the best if the following requirements are satisfied:

- Operating pressure: from 20 to 70 psi recommended 45 psi) 1-5 bar (recommended 3bar)
- Maximum hot water temperature: 180°F (recommended 150°F) 80°C (recommended 65°C)
- Minimum cold water temperature: 45°F (recommended 60°F) 10°C (recommended 15°C)

### Technical notes

- Do not remove plaster guard from built-in thermostatic valve until instructed to do so.
- For proper trim fit, the finished wall must align within the 0.709" front-to back, depth minimum =1.378"; maximum= 2.087".
- Carefully plan the installation before beginning.
- Carefully read the entire instructions. Component location, spacing, and situational requirements can vary.
- Shut off the water supply.
- Inspect the waste and supply tubing; replace if necessary.

### Cleaning tips

While cleaning, the surface of the thermo shower valve should be cold (warmth quickens the wearing out of the surface). Make sure that cleaning products do not contain acids or corrosive substances. The thermo shower valve should be wiped daily with a soft cloth after being rinsed with cold water. Avoid corrosives, abrasive sponges or any other similar products. Failure to do so will invalidate your guarantee.

## Installation

### Preparation (Figure 1)

With a screwdriver remove the thread protections (1). If you do not have a bath tub spout use the plug (2). Use thread sealant. Mount the faucet on the wall with the shower water outlet pointed toward the top, then connect the hot water supply to the left inlet and the cold water supply to the right inlet.

### Installation to the wall (Figure 2)

The embedded depth on the wall (coating included) must be kept within the MIN/MAX tolerance limits given on the plastic cover. Once all connections are completed, set the working

pressure to feed water through the mixer, (it is a good practice to extend this phase for a few minutes to purge the system of the inevitable residues and/or dirt present in the pipes). Temporarily remove the cover (1) to check for possible leaks; if there are no problems replace the cover (1) and finish the outside surface of the wall.

### Assembling the components (Figure 3)

Remove the cover (1) as shown in figure 2. With the help of a screwdriver, close the stop valves (10) in by turning them clockwise. With the allen key (3) loosen the grub screw (2) and pull out the testing plug (1). Make sure you do not throw away the grub screw. Once the o-ring (4) is mounted on the sleeve (5) insert it in the thermostatic ensemble. Insert the o-ring (9) into the seat of the valve ensemble and mount the cap (8). With the special lubricant (7) enclosed in the package grease slightly the o-rings of the thermostatic cartridge (6). Insert the cartridge into the seat of the valve making sure the positioning hole lines up exactly with the seat of the grub-campling screw (2), then tighten the grub screw that you had loosened with the allen key all the way. Warning! Do not force too much when fastening the screw (2). This could cause malfunctioning or damages. The thermostatic cartridge is equipped with an antiscalding safety stop set on 100°F (38°C); to reach higher temperatures press the red button on the adjustment lever. Should the pressure of the hot or cold water decrease, the flow would be automatically stopped. Unscrew the stop valves (10) by turning them anticlockwise with the help of a screwdriver.

### External finishing (Figure 4)

Mount the sponge gasket (1) on the plate (3) and the two washers (2). Place the plate on the mixer and fasten the screws (4) to block it.

### Fixing the handle (Figure 5)

Position the handle (1) as shown, fasten the grub screw (2) with a screwdriver and then add the indice (4).

### Functioning (Figure 6)

This picture shows the correctly assembled mixer. To start the flow turn the handle (1) 90° to the right, the temperature is regulated by the handle (2).