



Niagara Wall Mounted Tub Filler

Model #3030-WMTF-BN, 3030-WMTF-CH, 3030-WMTF-MB, 3030-WMTF-ORB

PW-93030-80TFWBRN, PW-93030-80TFWCP, PW-93030-80TFWBM, PW-93030-80TFWBRZ

Owner's Manual



Wall Mounted Tub Filler

Please Read The Following Instructions COMPLETELY Before Beginning!

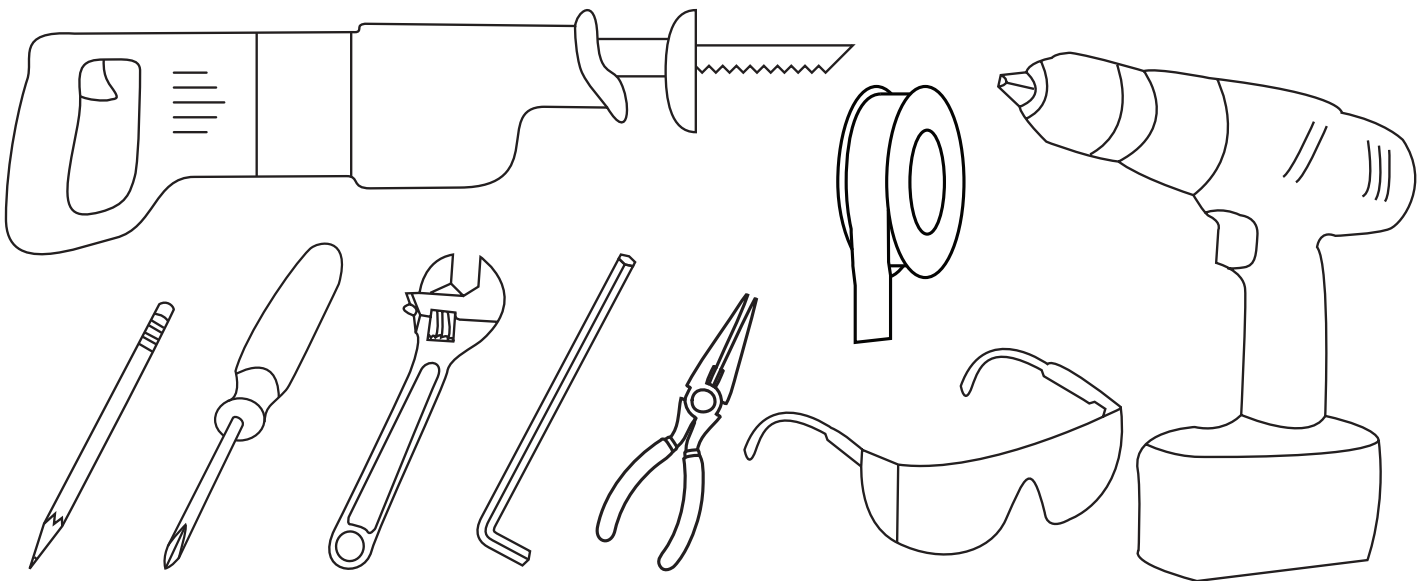
Our goal is to ensure your installation goes smoothly and safely. Please read these instructions carefully and follow recommendations for plumbing and mounting. After reading instructions, if you determine you do not have the necessary skills and/or tools, we recommend that a licensed plumbing contractor complete the installation.

If you encounter any problems during installation
PLEASE VISIT CUSTOMER SUPPORT AT
WWW.PULSESHOWERSPAS.COM
Before returning your wall mounted tub filler to the store

You Will Need The Following Tools

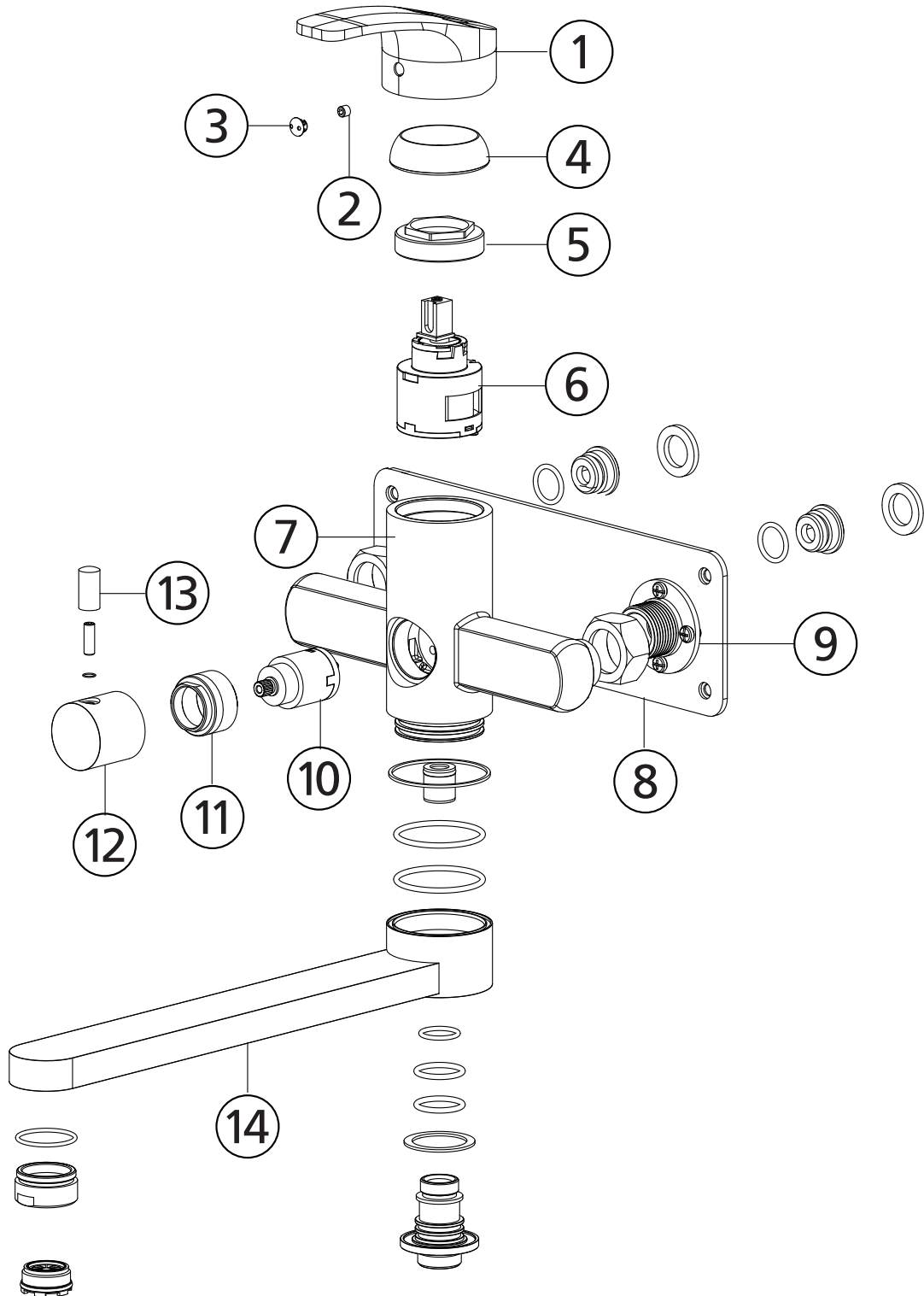
Soft pencil or felt pen to mark tile
Allen wrench
Safety glasses
Phillips screwdriver

Reciprocating saw w/metal cutting blade (Sawzall®)
Channel locks or adjustable wrench
Drill (Preferably cordless)
Plumber's Tape



Parts Legend

- | | | |
|--------------------|------------------------|----------------------------|
| 1. Handle | 6. Valve Cartridge | 11. Diverter Cartridge Nut |
| 2. Set Screw | 7. Tub Filler Body | 12. Diverter Handle |
| 3. Set Screw Cover | 8. Mounting Plate | 13. Diverter Handle Pin |
| 4. Valve Cover | 9. Mounting Plate Nut | 14. Spout |
| 5. Cartridge Nut | 10. Diverter Cartridge | |

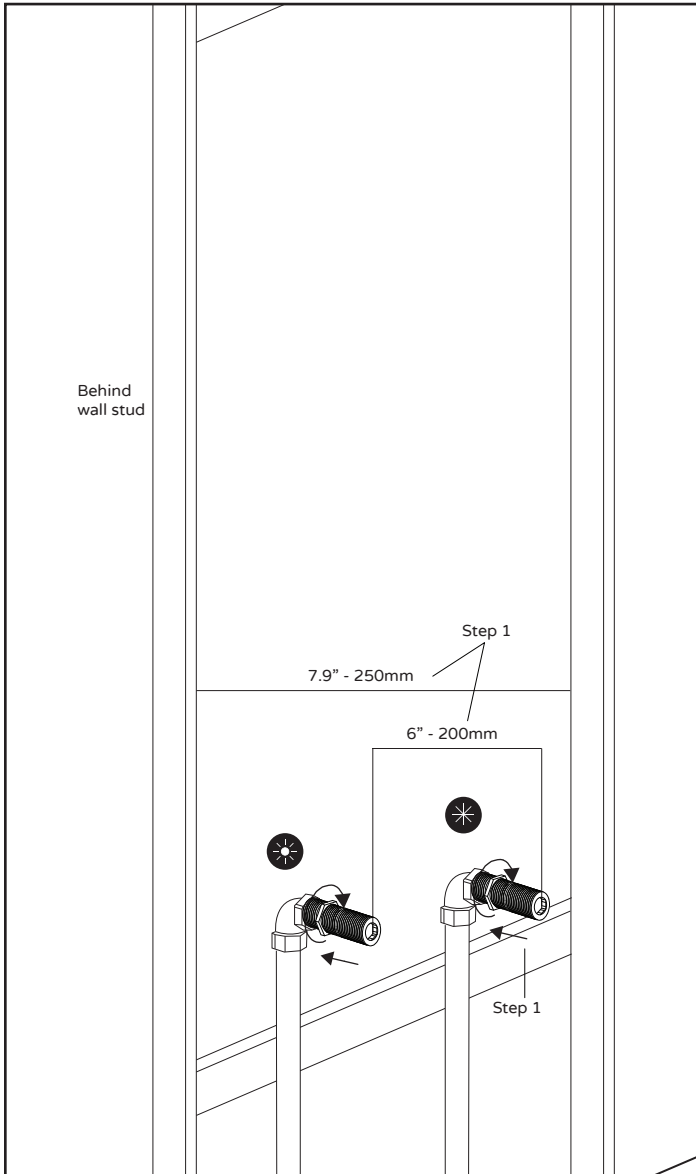


Installation Instructions

BEFORE YOU BEGIN

Measure the following to ensure your tub filler will fit properly.

1

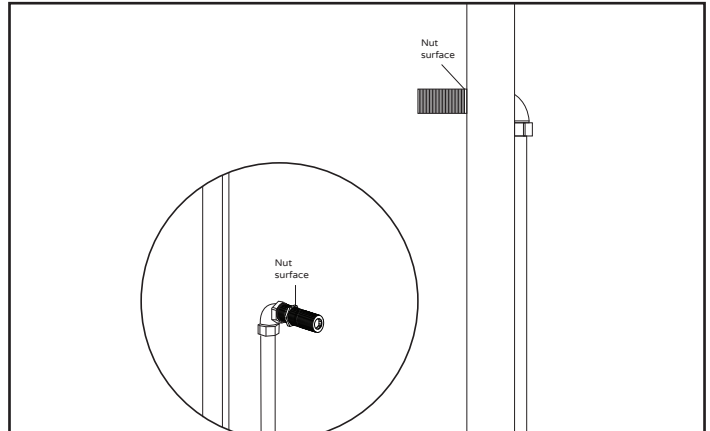


Step 1: Make sure the water supply (hot/cold) line is 6 inches (200mm) apart from the center of the Hot & Cold water supply pipes.

There should be a distance of 7.9 inches (250mm) between the two wall studs.

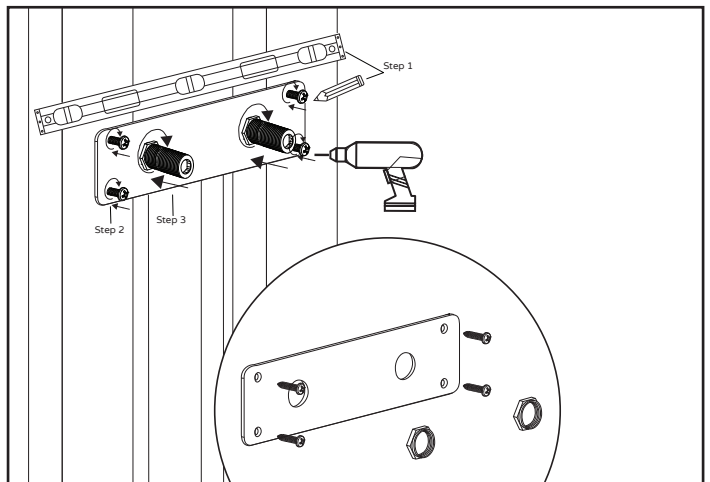
Step 2: Screw in the connectors on the short end, to the water supply pipes.

2



The surface of the nut should be flush with the concrete wall.

2



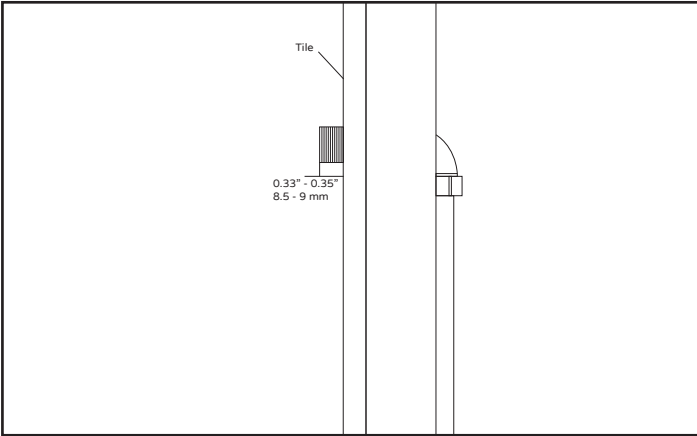
Step 1: Use a level to confirm correct placement of the mount. Mark the drill hole marks with a pencil.

Step 2: Drill in the screws to place mounting plate on the wall stud.

Step 3: Tighten the two connectors with nuts on the mounting plate.

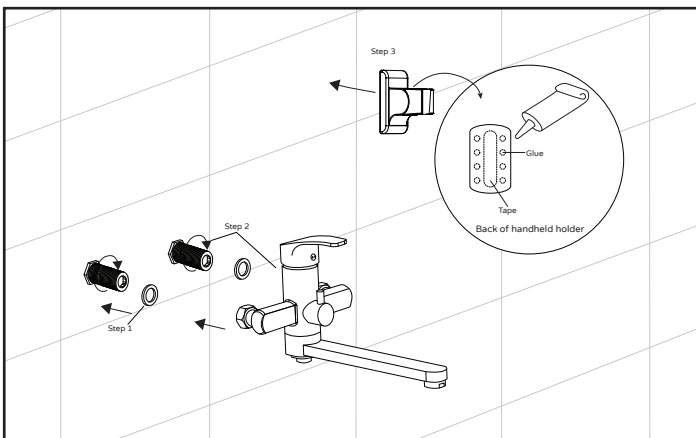
Installation Instructions

4



Keep the distance of the connectors 0.33-0.35 inches (8.5-9 mm) to the surface of the tile.

5

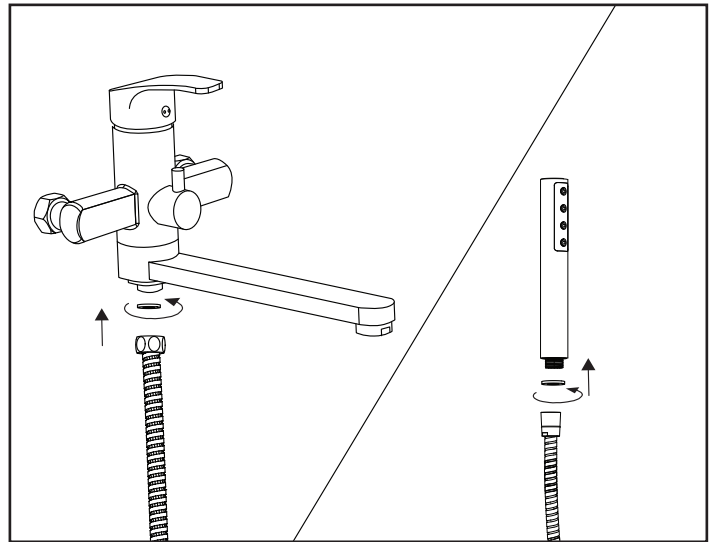


Step 1: Place washers in tub filler.

Step 2: Screw in the tub filler body to the wall connectors.

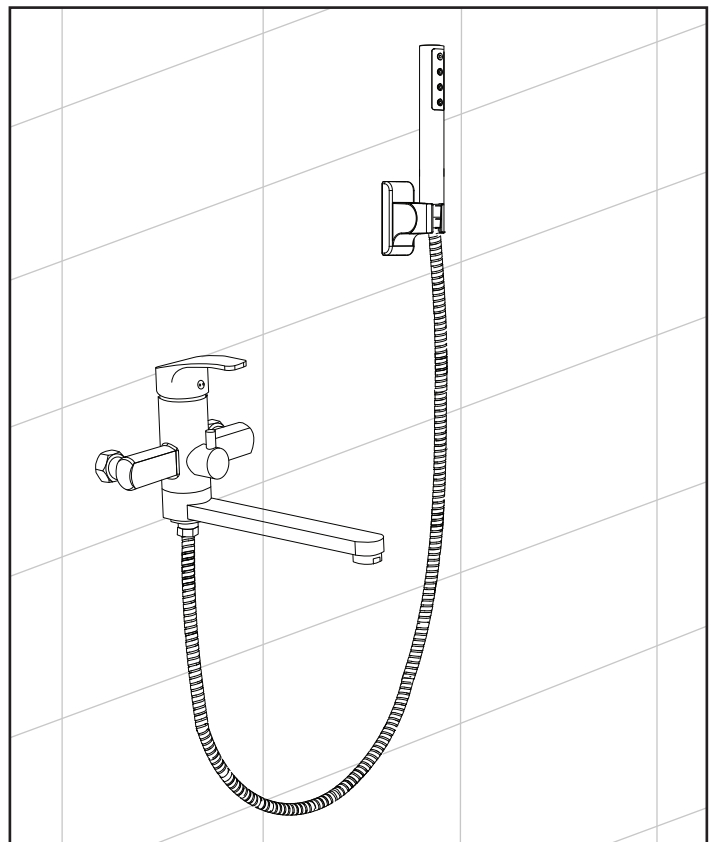
Step 3: Apply glue to the handshower holder (9) as indicated and use tape (included) to secure onto wall. Let it cure for 48 hours for complete result. Handshower holder is tapered. Assure larger opening is upright.

6



Once handshower holder is secure, insert rubber washer into both ends of hose. Connect hex head end to tub filler and tapered end to handshower. Place the tapered end of the hose into the handshower holder.

7

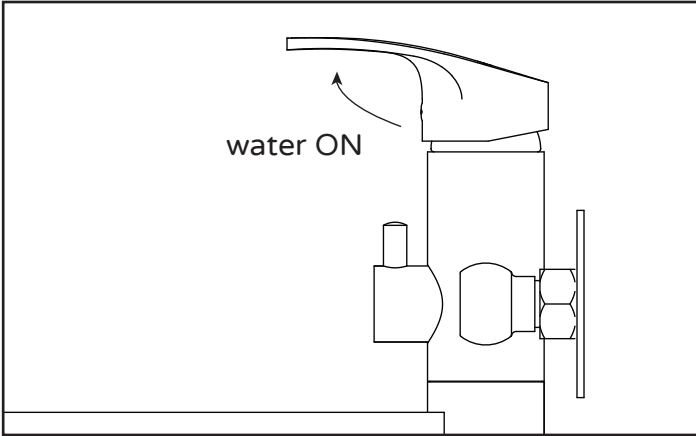


Product fully assembled

Installation Instructions

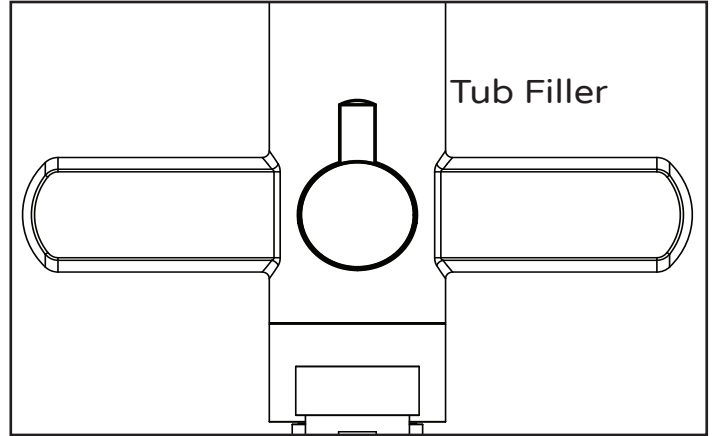
OPERATION:

TUB FILLER FUNCTIONS:

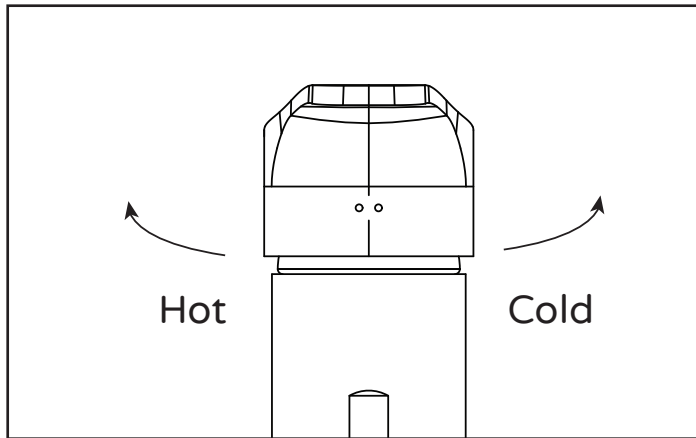


Turning tub filler ON, lift valve handle up.

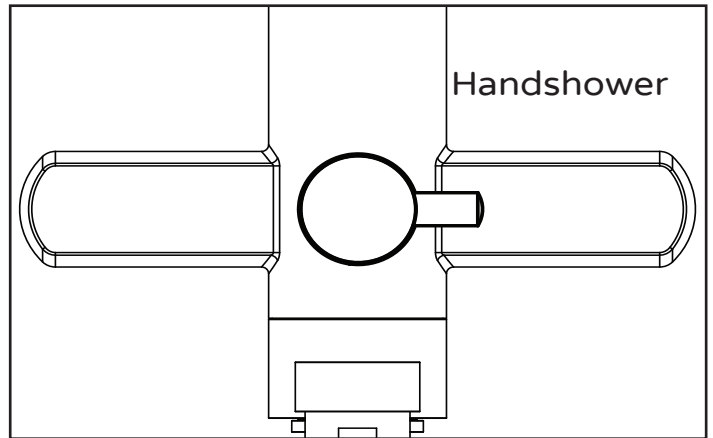
DIVERTER FUNCTIONS:



Diverter handle facing up for tub filler.



While ON, turn handle to the left for HOT and right for COLD.



Diverter handle facing to the right for handshower.

Usage

Diverter valve controls the tub filler and handshower. Refer to drawings on "OPERATION" step.

Always turn cold water on first to help prevent any accidental burning or scalding; especially for children and elderly.

DO NOT use any part of the tub filler as a support device.

Care and Maintenance

To keep your tub filler looking new, wipe down after each use with a soft cotton cloth.

Protect your tub filler from hard water stains and mineral deposits by periodically using an auto spray wax.

Clean using mild liquid soap and a non-abrasive sponge or cloth. Rinse with clean water.

Do Not Use Any Kind Of
Chemicals Or Abrasives!

MANUFACTURER'S LIFETIME LIMITED WARRANTY

1. Defects Covered; Warranty Period: Pulse Shower Spas, Inc. ("Pulse") warrants to the original consumer purchaser who purchases this shower spa (the "Product") for use in his or her own home, that the Product will be free from defects in material and manufacturing workmanship for as long as the original consumer purchaser owns that same home. For all other purchasers (including, but not limited to purchasers for industrial, commercial and business use), the above warranty will apply for a period of 5 years from the original date of purchase.

2. Remedy: If the Product does not conform to the above warranty, Pulse, at its option, will repair or replace the Product, free of charge, or refund your purchase price. For warranty claims, please visit www.pulshowerspas.com/index.php/warranty. Pulse may require that you return the Product to Pulse, shipping prepaid, in which case Pulse will provide you with a return materials authorization number (RMA). Pulse may also require that you provide evidence of the date you purchased the Product. Pulse will ship a new or repaired Product to you, at the expense of Pulse, or refund your purchase price. Service labor performed by you or others in connection with the removal or replacement of the Product will not be reimbursed by Pulse.

3. Exclusions: Pulse shall not be responsible for failure of the Product, and the above warranties will not apply, if the Product fails as a result of improper installation, improper use, modifications or repairs by anyone other than Pulse, or accident or abuse (including damage during shipment).

4. Warranty on Repairs and Replacements: For consumer purchasers who purchased the Product for home use, repaired or replacement Products will continue to be covered under this warranty for as long as he or she owns that same home. For other purchasers, repaired or replacement Products will be covered for the balance of the original warranty period.

5. No Other Warranties; Limitation of Liability: OTHER THAN THE LIFETIME LIMITED WARRANTY STATED ABOVE, PULSE DISCLAIMS ALL OTHER WARRANTIES, EXPRESS OR IMPLIED, INCLUDING BUT NOT LIMITED TO WARRANTIES OF MERCHANTABILITY AND FITNESS FOR A PARTICULAR PURPOSE, TO THE EXTENT PERMITTED BY APPLICABLE LAW. THE REMEDIES STATED ABOVE ARE YOUR SOLE REMEDIES IN CONNECTION WITH THIS WARRANTY. IN NO EVENT WILL PULSE BE LIABLE TO YOU FOR ANY DAMAGES, WHETHER DIRECT, INDIRECT, INCIDENTAL, SPECIAL OR CONSEQUENTIAL, INCLUDING BUT NOT LIMITED TO LOST PROFITS OR BUSINESS INTERRUPTION, ARISING OUT OF OR RELATING TO THE PRODUCT OR ITS USE, WHETHER UNDER A CONTRACT, WARRANTY, TORT, OR ANY OTHER CAUSE OF ACTION, EVEN IF PULSE HAS BEEN ADVISED OF THE POSSIBILITY OF SUCH DAMAGES. NOTWITHSTANDING THE TERM OF ANY LIMITED OR IMPLIED WARRANTY, OR IN THE EVENT THAT ANY LIMITED WARRANTY FAILS OF ITS ESSENTIAL PURPOSE, IN NO EVENT WILL PULSE'S ENTIRE LIABILITY EXCEED THE PURCHASE PRICE OF THE PRODUCT. SOME STATES AND PROVINCES DO NOT ALLOW THE EXCLUSION OR LIMITATION OF INCIDENTAL OR CONSEQUENTIAL DAMAGES SO THE ABOVE LIMITATIONS OR EXCLUSIONS MAY NOT APPLY TO YOU. THIS LIMITED WARRANTY GIVES YOU SPECIFIC LEGAL RIGHTS, AND YOU MAY ALSO HAVE OTHER RIGHTS WHICH VARY FROM STATE TO STATE AND PROVINCE TO PROVINCE.

