

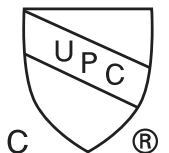
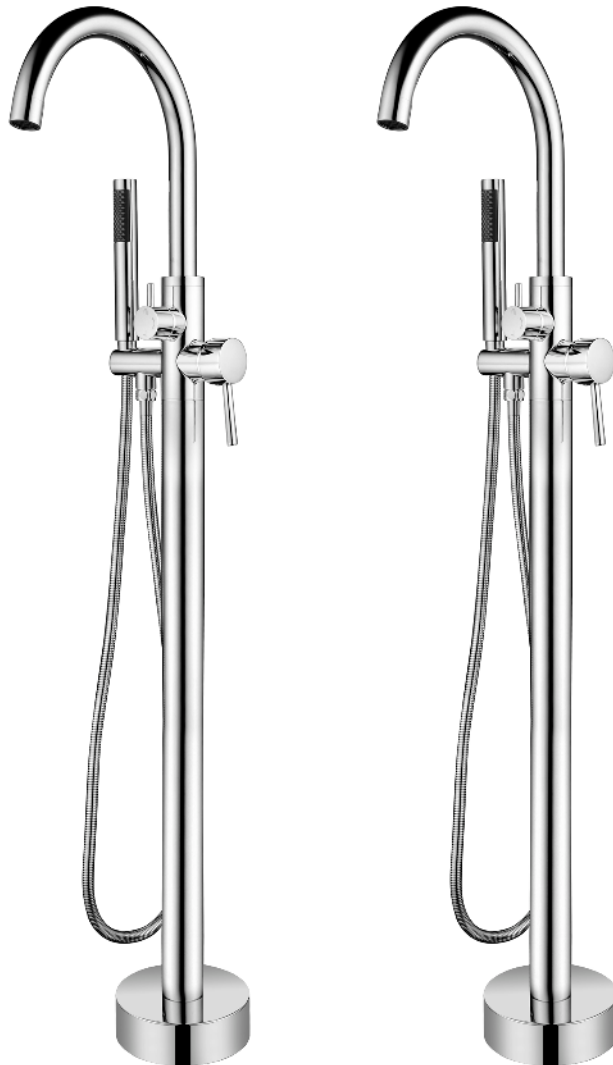


## Freestanding Tub Filler

Model #3021-FSTF-BN, 3021-FSTF-CH, 3021-MB

PW-93021-79TFBRN, PW-93021-79TFCP,  
PW-93021-79TFBM

### Owner's Manual



# Freestanding Tub Filler

## Please Read The Following Instructions COMPLETELY Before Beginning!

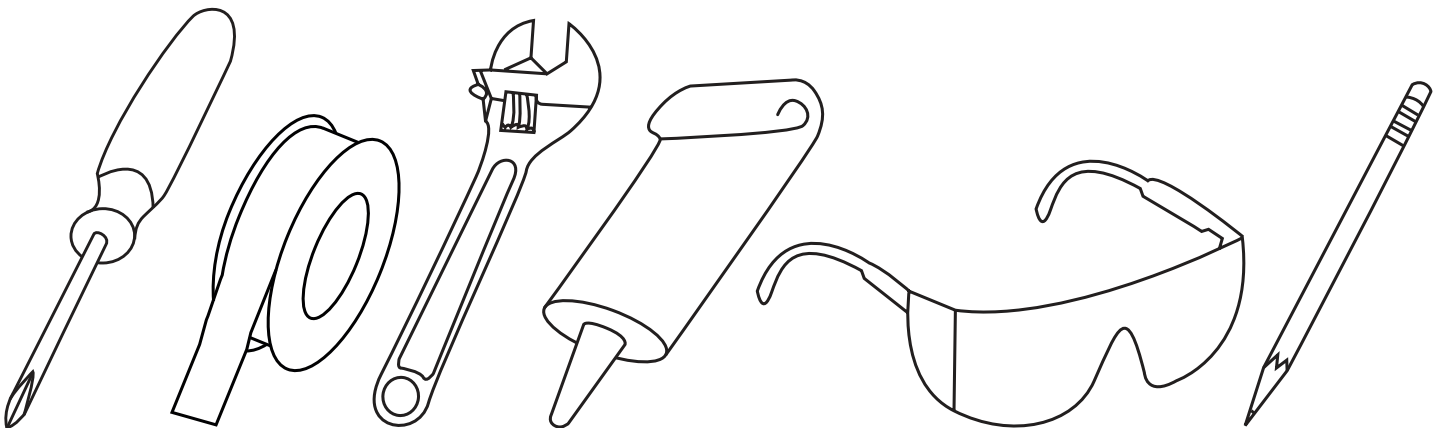
Our goal is to ensure your installation goes smoothly and safely. Please read these instructions carefully and follow recommendations for plumbing and mounting. After reading instructions, if you determine you do not have the necessary skills and/or tools, we recommend that a licensed plumbing contractor complete the installation.

If you encounter any problems during installation  
FOR CUSTOMER SUPPORT VISIT  
[WWW.PULSESHOWERSPAS.COM](http://WWW.PULSESHOWERSPAS.COM)  
Before returning your Freestanding Tub Filler

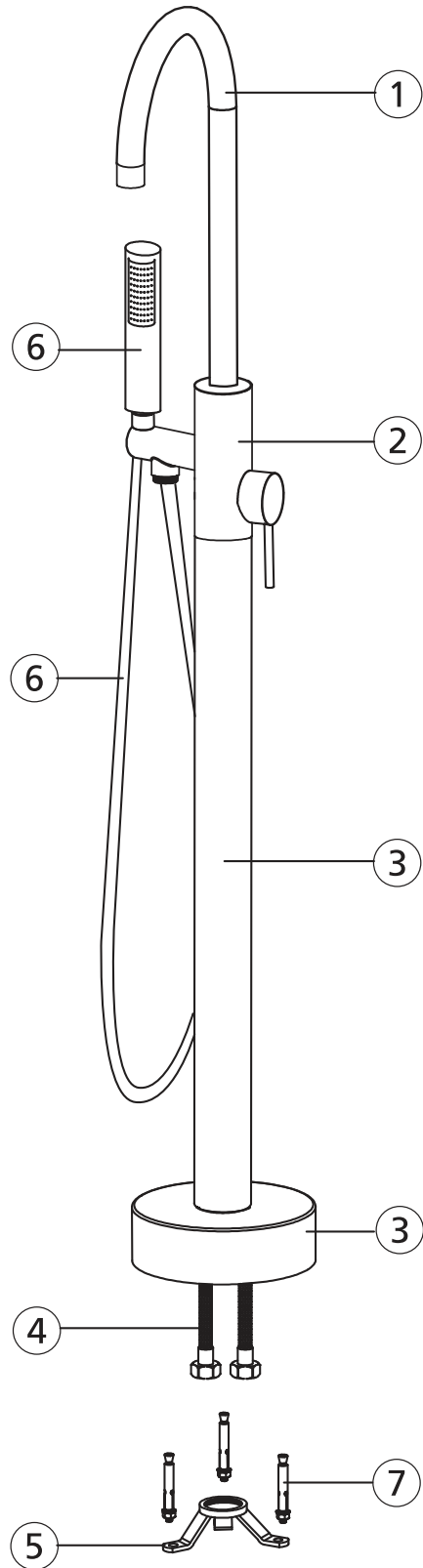
### You Will Need The Following Tools

Adjustable wrench  
Phillips screwdriver  
Pipe Tape  
Pliers

Plumber's putty  
Safety glasses  
Soft pencil or felt pen to mark tile



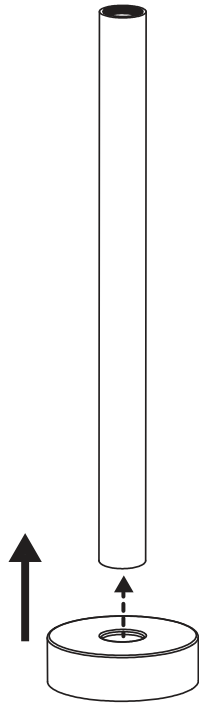
# Product Diagram and Parts



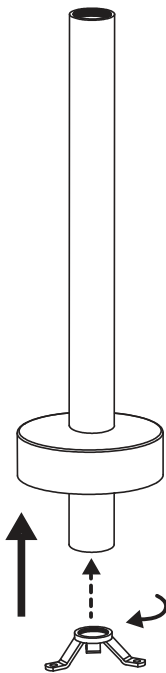
## Accessory List:

1. Tub Filler Spout
2. Body
3. Floor Escutcheon
4. Flexible Hoses.....2
5. Floor Mount
6. Handshower and Hose
7. Expansion Screw

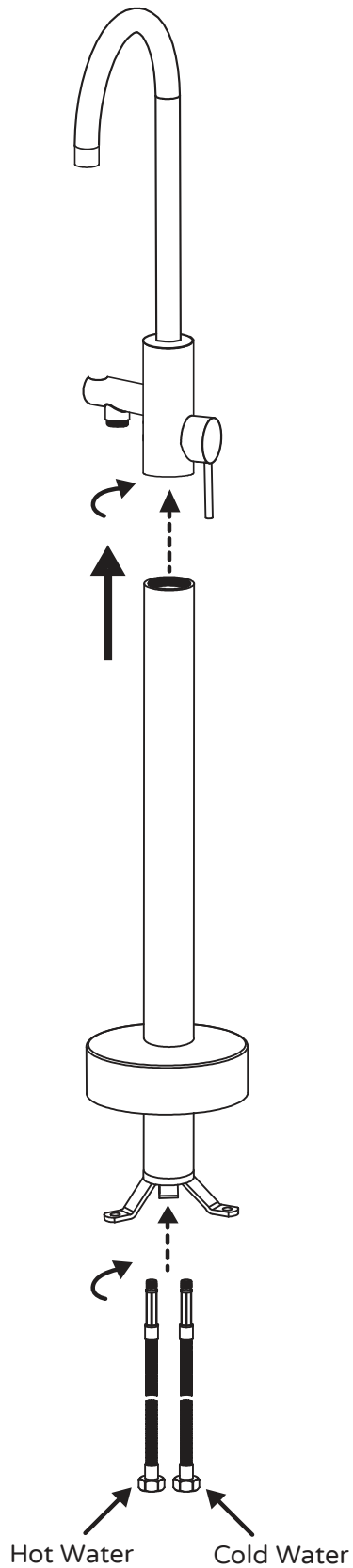
# Faucet Installation Steps



1. The floor escutcheon through the straight tube from top to bottom.



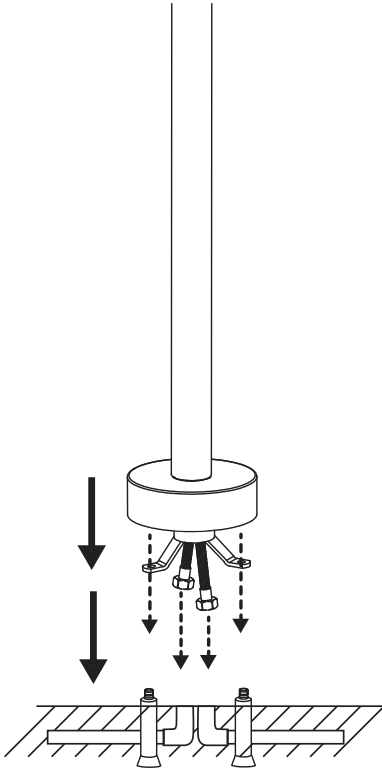
2. Install the floor mount.



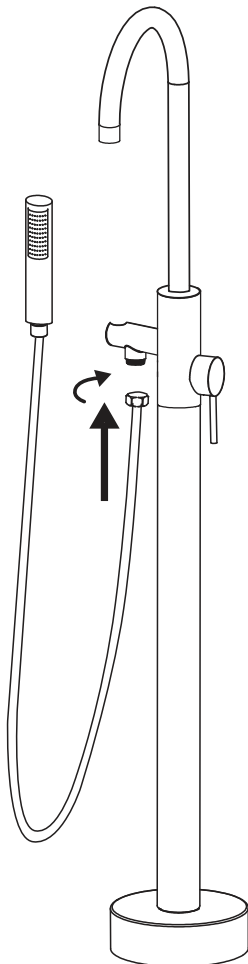
3. The flexible hoses through the straight tube. Twist tight to attach flexible hoses to faucet.

4. Twist to tighten the straight tube to the top faucet.

## Faucet Installation Steps



5. Tighten the screws to the floor mount on the ground. Insert the flexible hoses to the hot and cold outlet tube.



6. Install the hose to the handshower and the tub filler. Please check the tub filler spout and handshower water flow and its function.

**R E M E M B E R**

*Never use any abrasives or harsh cleaners!*

*Clean with mild soap and water ONLY!*

*To keep your valve in pristine condition,*

***DRY AFTER EACH USE!***

Please keep this instruction manual for future reference regarding product operation and maintenance.

# Manufacturer's Lifetime Limited Warranty

1. Defects Covered; Warranty Period: Pulse Shower Spas, Inc. ("Pulse") warrants to the original consumer purchaser who purchases this shower spa (the "Product") for use in his or her own home, that the Product will be free from defects in material and manufacturing workmanship for as long as the original consumer purchaser owns that same home. For all other purchasers (including, but not limited to purchasers for industrial, commercial and business use), the above warranty will apply for a period of 5 years from the original date of purchase.

2. Remedy: If the Product does not conform to the above warranty, Pulse, at its option, will repair or replace the Product, free of charge, or refund your purchase price. For warranty claims, please visit [www.pulshowerspas.com/index.php/warranty](http://www.pulshowerspas.com/index.php/warranty). Pulse may require that you return the Product to Pulse, shipping prepaid, in which case Pulse will provide you with a return materials authorization number (RMA). Pulse may also require that you provide evidence of the date you purchased the Product. Pulse will ship a new or repaired Product to you, at the expense of Pulse, or refund your purchase price. Service labor performed by you or others in connection with the removal or replacement of the Product will not be reimbursed by Pulse.

3. Exclusions: Pulse shall not be responsible for failure of the Product, and the above warranties will not apply, if the Product fails as a result of improper installation, improper use, modifications or repairs by anyone other than Pulse, or accident or abuse (including damage during shipment).

4. Warranty on Repairs and Replacements: For consumer purchasers who purchased the Product for home use, repaired or replacement Products will continue to be covered under this warranty for as long as he or she owns that same home. For other purchasers, repaired or replacement Products will be covered for the balance of the original warranty period.

5. No Other Warranties; Limitation of Liability: OTHER THAN THE LIFETIME LIMITED WARRANTY STATED ABOVE, PULSE DISCLAIMS ALL OTHER WARRANTIES, EXPRESS OR IMPLIED, INCLUDING BUT NOT LIMITED TO WARRANTIES OF MERCHANTABILITY AND FITNESS FOR A PARTICULAR PURPOSE, TO THE EXTENT PERMITTED BY APPLICABLE LAW. THE REMEDIES STATED ABOVE ARE YOUR SOLE REMEDIES IN CONNECTION WITH THIS WARRANTY. IN NO EVENT WILL PULSE BE LIABLE TO YOU FOR ANY DAMAGES, WHETHER DIRECT, INDIRECT, INCIDENTAL, SPECIAL OR CONSEQUENTIAL, INCLUDING BUT NOT LIMITED TO LOST PROFITS OR BUSINESS INTERRUPTION, ARISING OUT OF OR RELATING TO THE PRODUCT OR ITS USE, WHETHER UNDER A CONTRACT, WARRANTY, TORT, OR ANY OTHER CAUSE OF ACTION, EVEN IF PULSE HAS BEEN ADVISED OF THE POSSIBILITY OF SUCH DAMAGES. NOTWITHSTANDING THE TERM OF ANY LIMITED OR IMPLIED WARRANTY, OR IN THE EVENT THAT ANY LIMITED WARRANTY FAILS OF ITS ESSENTIAL PURPOSE, IN NO EVENT WILL PULSE'S ENTIRE LIABILITY EXCEED THE PURCHASE PRICE OF THE PRODUCT. SOME STATES AND PROVINCES DO NOT ALLOW THE EXCLUSION OR LIMITATION OF INCIDENTAL OR CONSEQUENTIAL DAMAGES SO THE ABOVE LIMITATIONS OR EXCLUSIONS MAY NOT APPLY TO YOU. THIS LIMITED WARRANTY GIVES YOU SPECIFIC LEGAL RIGHTS, AND YOU MAY ALSO HAVE OTHER RIGHTS WHICH VARY FROM STATE TO STATE AND PROVINCE TO PROVINCE.

