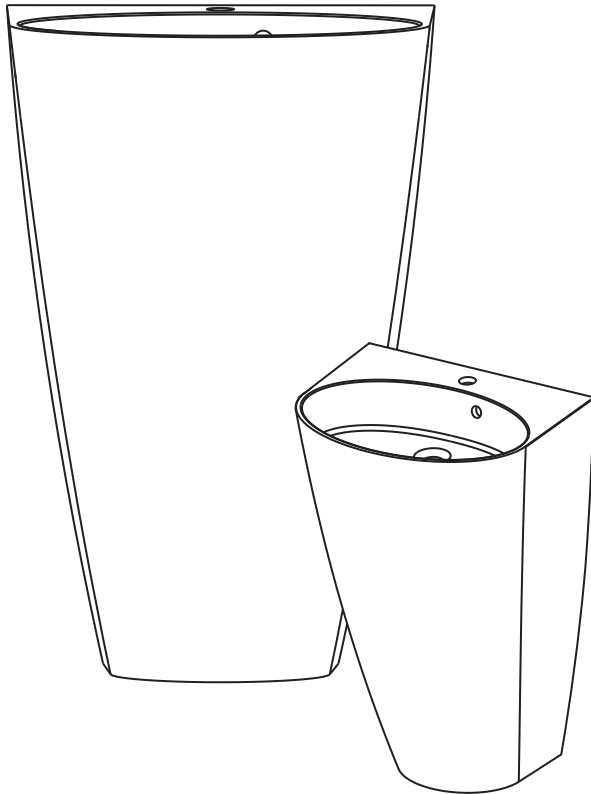


# JAMES MARTIN VANITIES

## Installation Instructions for Jasper Pedestal Sink **130-V20-GW**



# JAMES MARTIN VANITIES

## Pre-Installation

**Safety Information** Please read and understand all instructions before assembly and use.



### WARNING

- Unit must be placed on a level surface or leveled with included hardware (when applicable).
- Do not sit or stand on or allow children to climb, sit, or stand on the assembled product.
- For safety reasons, this unit must be mounted to the wall.
- Unit can tip over causing severe injury or death.
- Do not exceed the recommended weight limits.
- Before cutting, drilling, or hammering into any wall or floor surface, verify the location of electrical, plumbing, and gas lines. Cutting may cause serious injury.



### CAUTION

For your safety and to achieve the best possible installation of this cabinet, James Martin Vanities always recommends you consult with a professional contractor.



### IMPORTANT

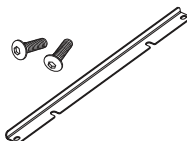
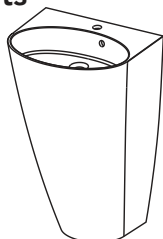
Two or more people are required for the assembly and installation of this vanity.



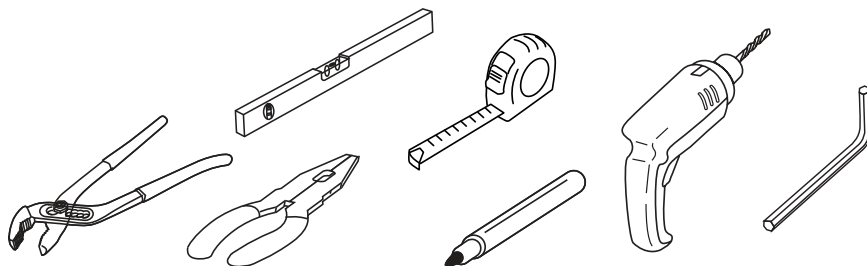
### IMPORTANT

Please review all pages prior to attaching the vanity to the wall.

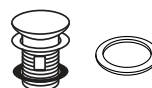
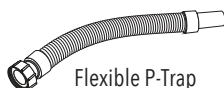
## Package Contents



## Tools and Items Required for Assembly



## Purchase Separately

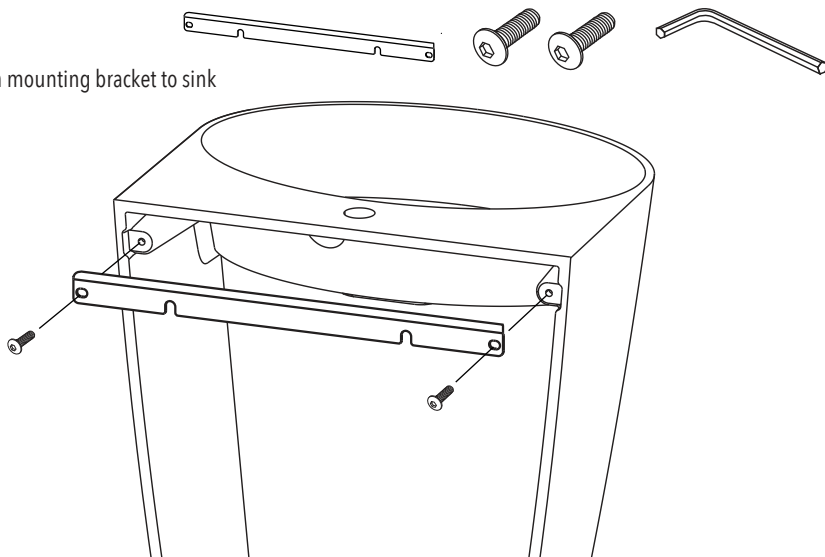


# JAMES MARTIN VANITIES

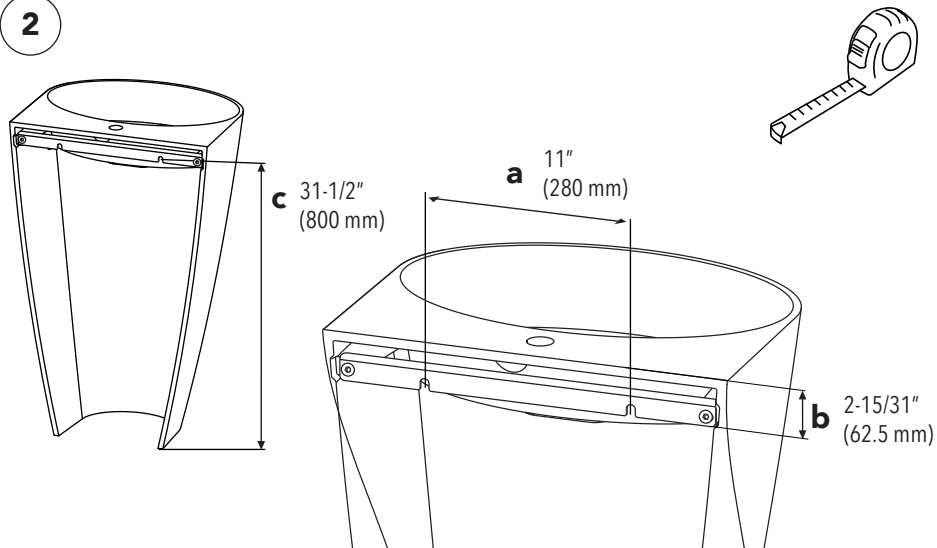
## Preparing for Installation

1

Attach mounting bracket to sink

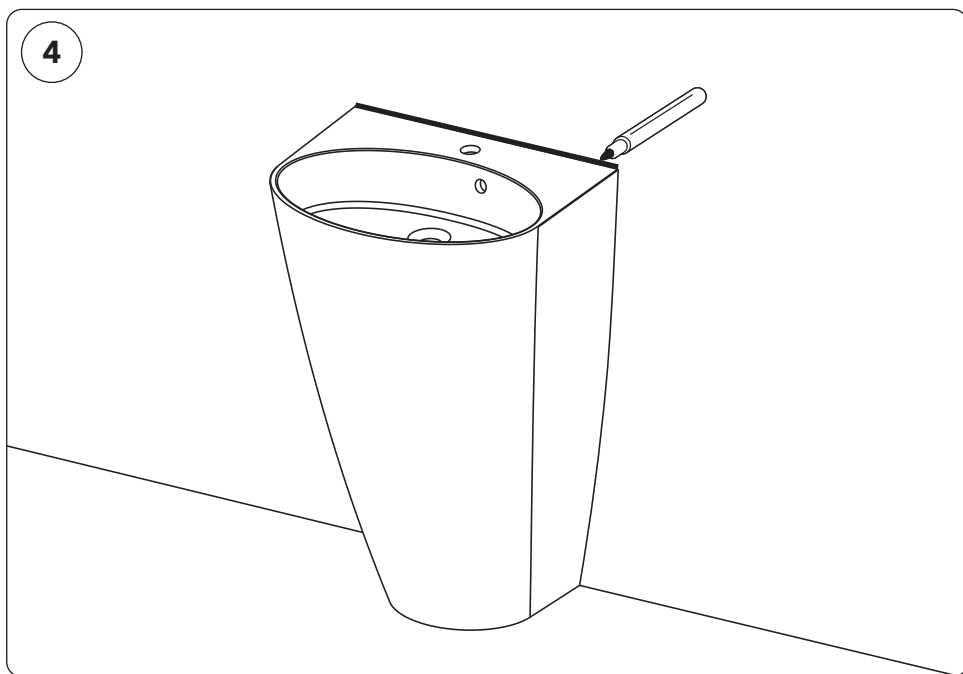
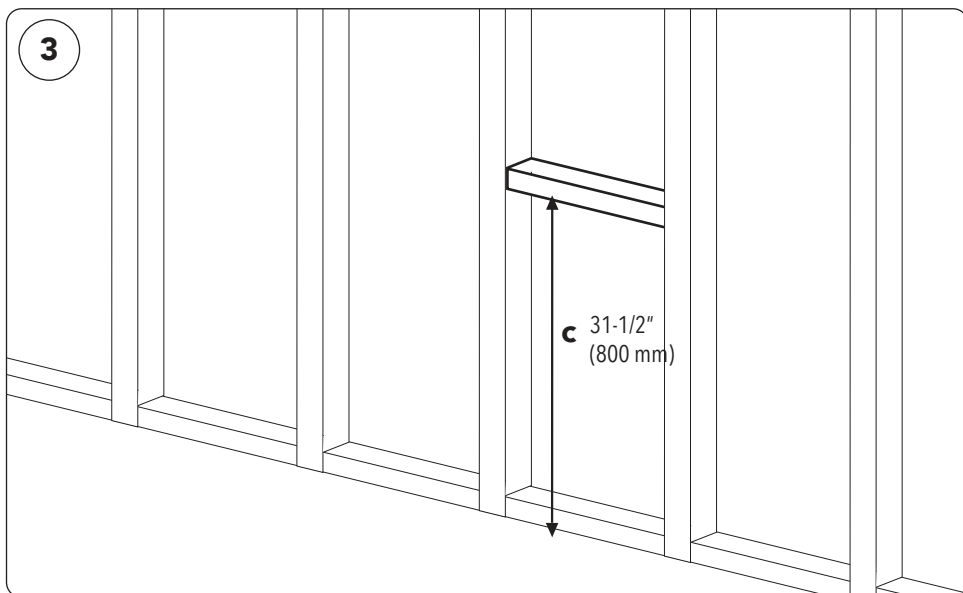


2

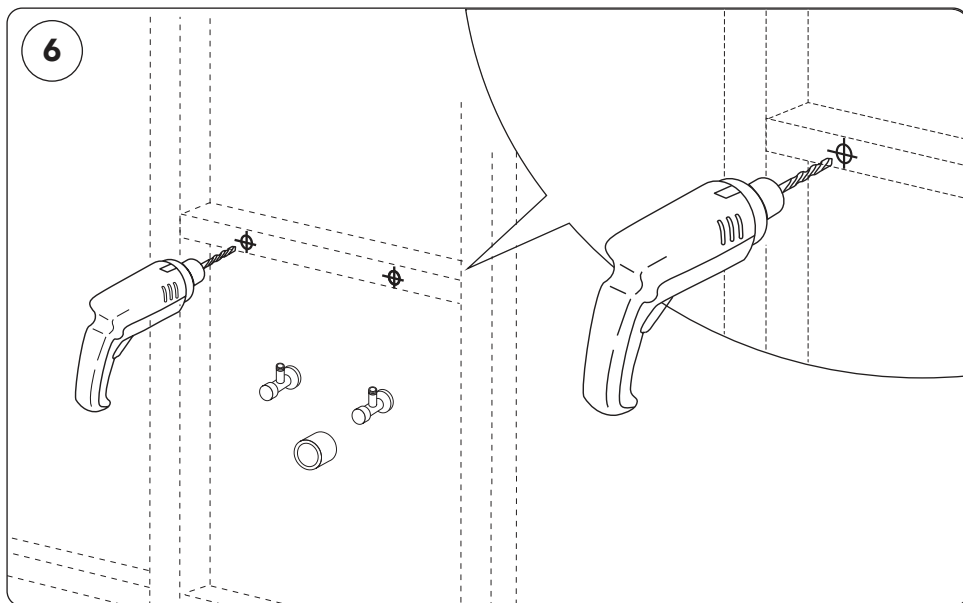
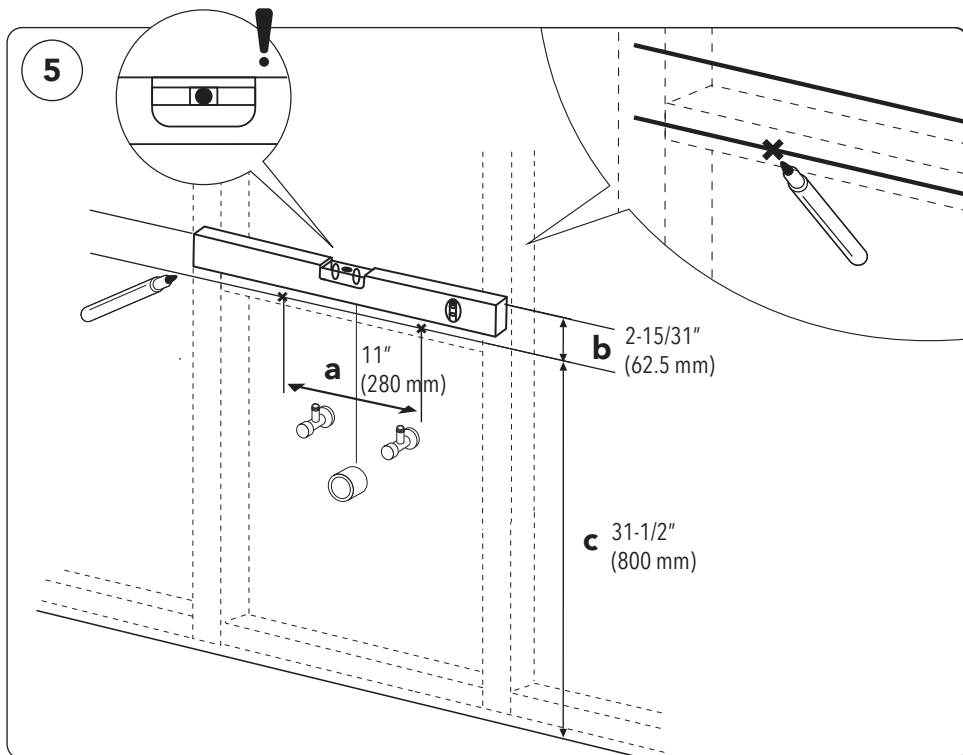


# JAMES MARTIN VANITIES

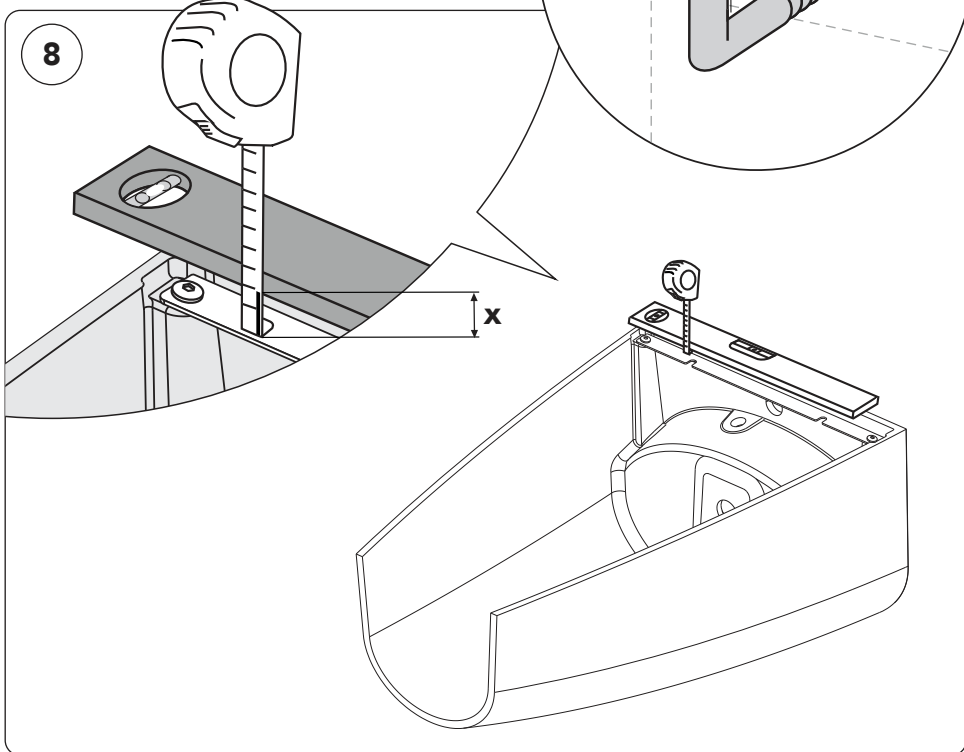
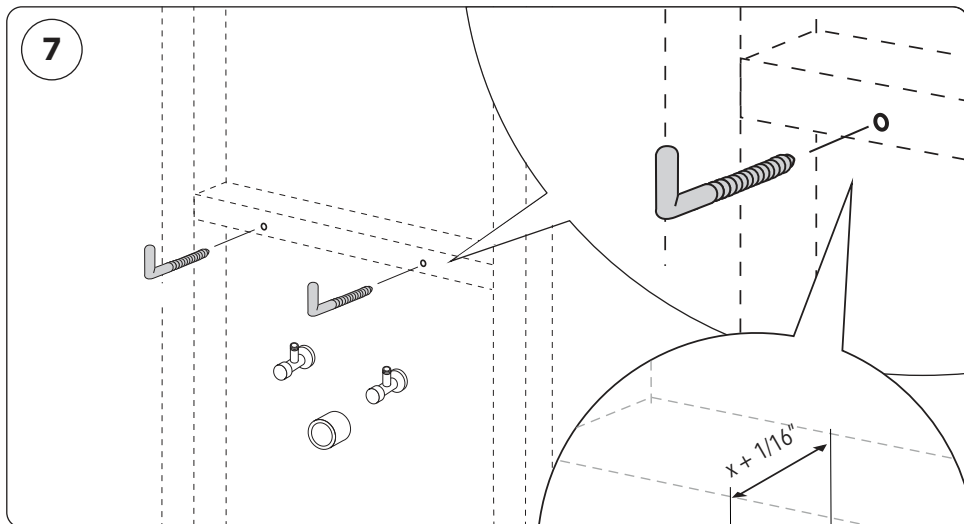
## Preparing for Installation (continued)



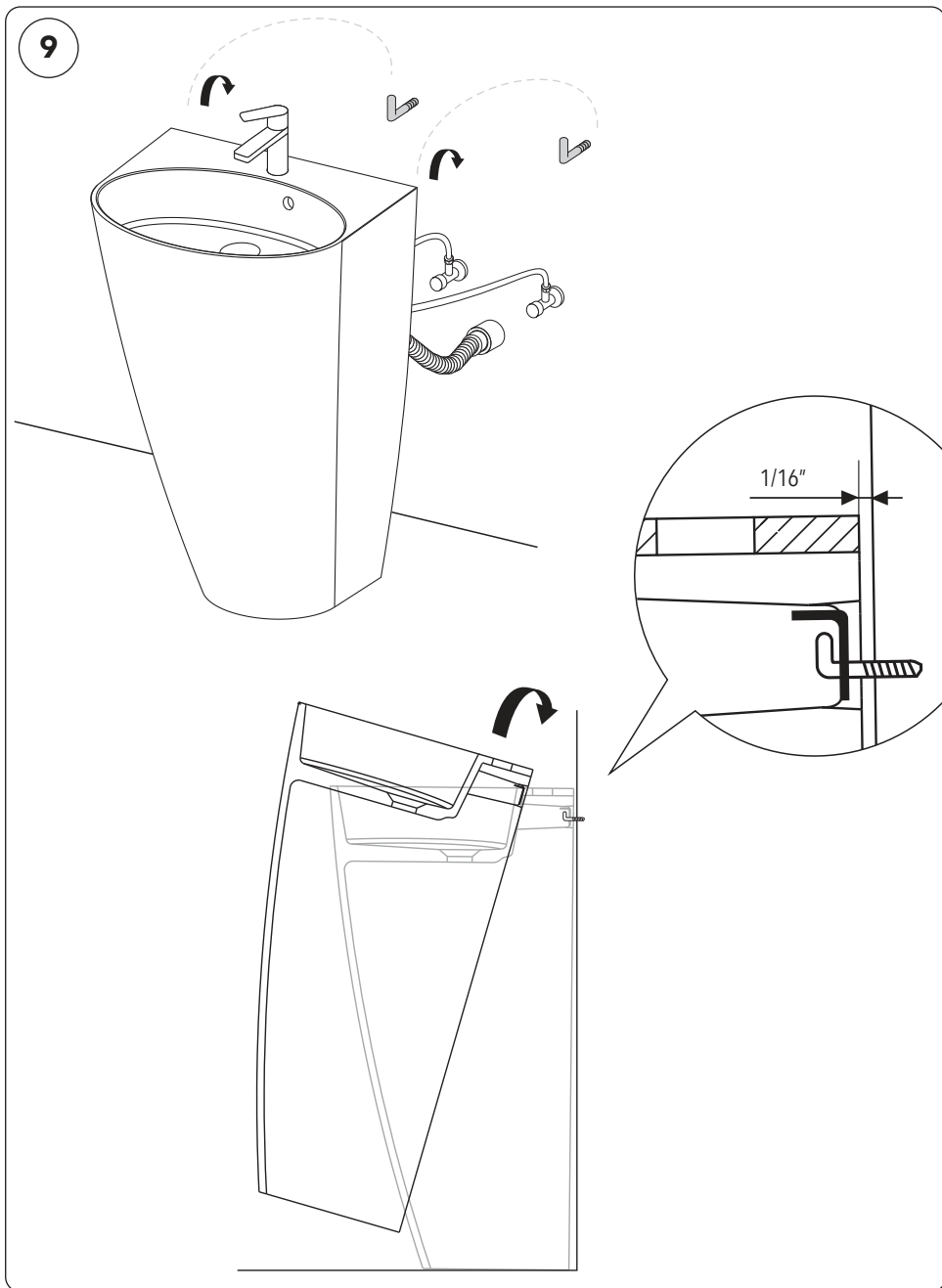
# JAMES MARTIN VANITIES



# JAMES MARTIN VANITIES



# JAMES MARTIN VANITIES



# JAMES MARTIN VANITIES

10



11

