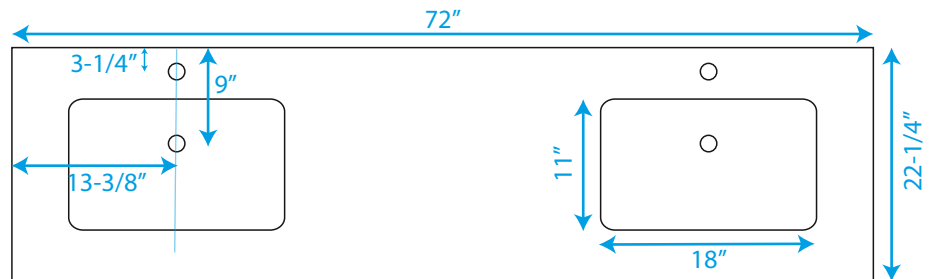
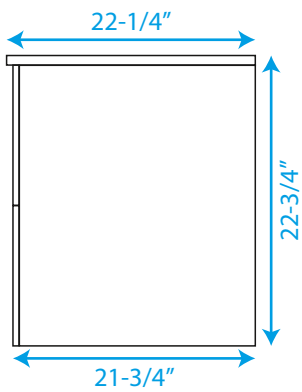
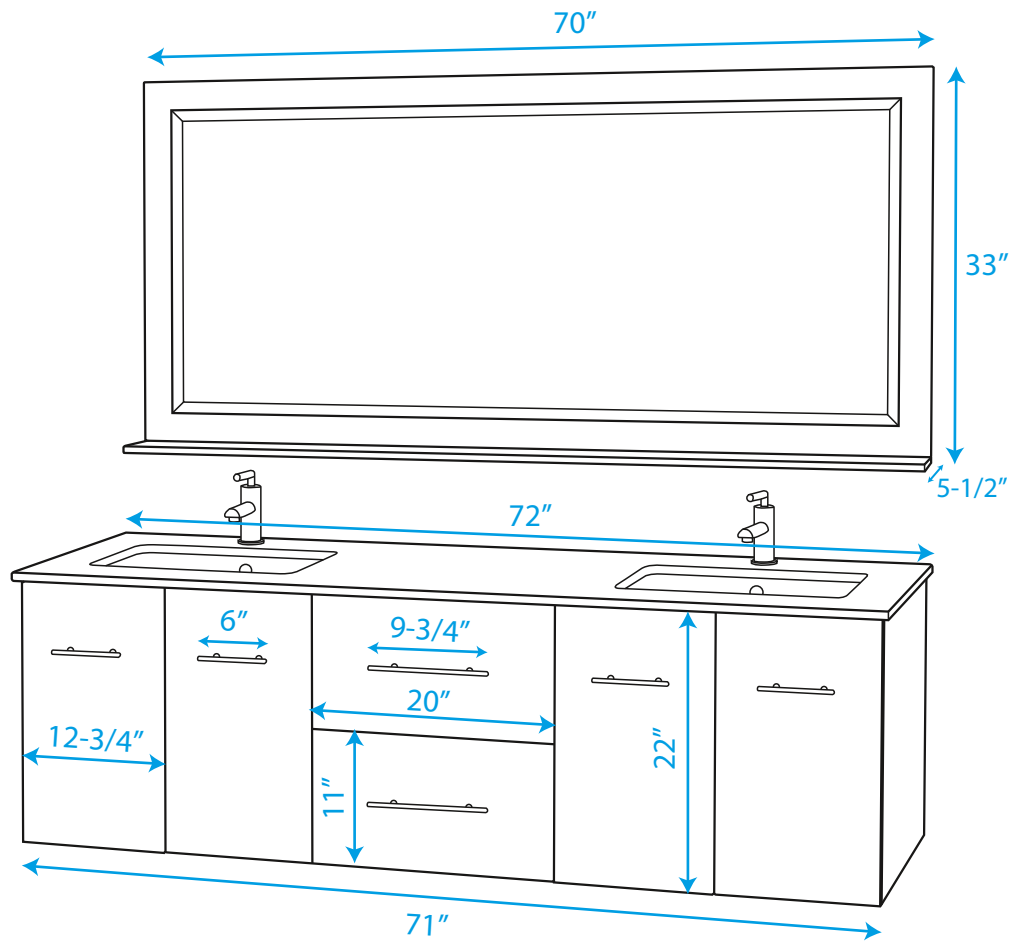


# WYNDHAM COLLECTION



WC-WHE009-72-DBL