

## VIGO INDUSTRIES INSTALLATION GUIDE FOR SHOWER ENCLOSURE (MODEL VG06031)

### **SAFETY PRECAUTIONS**

This Installation Guide uses the following symbols to indicate important information. Always observe the instructions indicated by these symbols.

### **WARNING**

Instructions that, if ignored, could result in death or serious personal injury caused by incorrect handling or installation of the product. These instructions must be observed for safe installation.

### **CAUTION**

The instructions for the following unit is based off of the Vigo brand shower base. The instructions can not be provided for any other installation other than that of the Vigo brand. The warranty will be voided if the following was not performed properly.

### **IMPORTANT**

Maintenance and other important non-personal injury and non-material damage instructions or statements that should be observed.

It is highly advised to dry fit the unit prior to any installation.

\*VIGO reserves the right to modify/update all hardware and glass components based on bettering the product for the end user's experience. If you have any questions contact VIGO Tech Support at 1-866-591-7792.

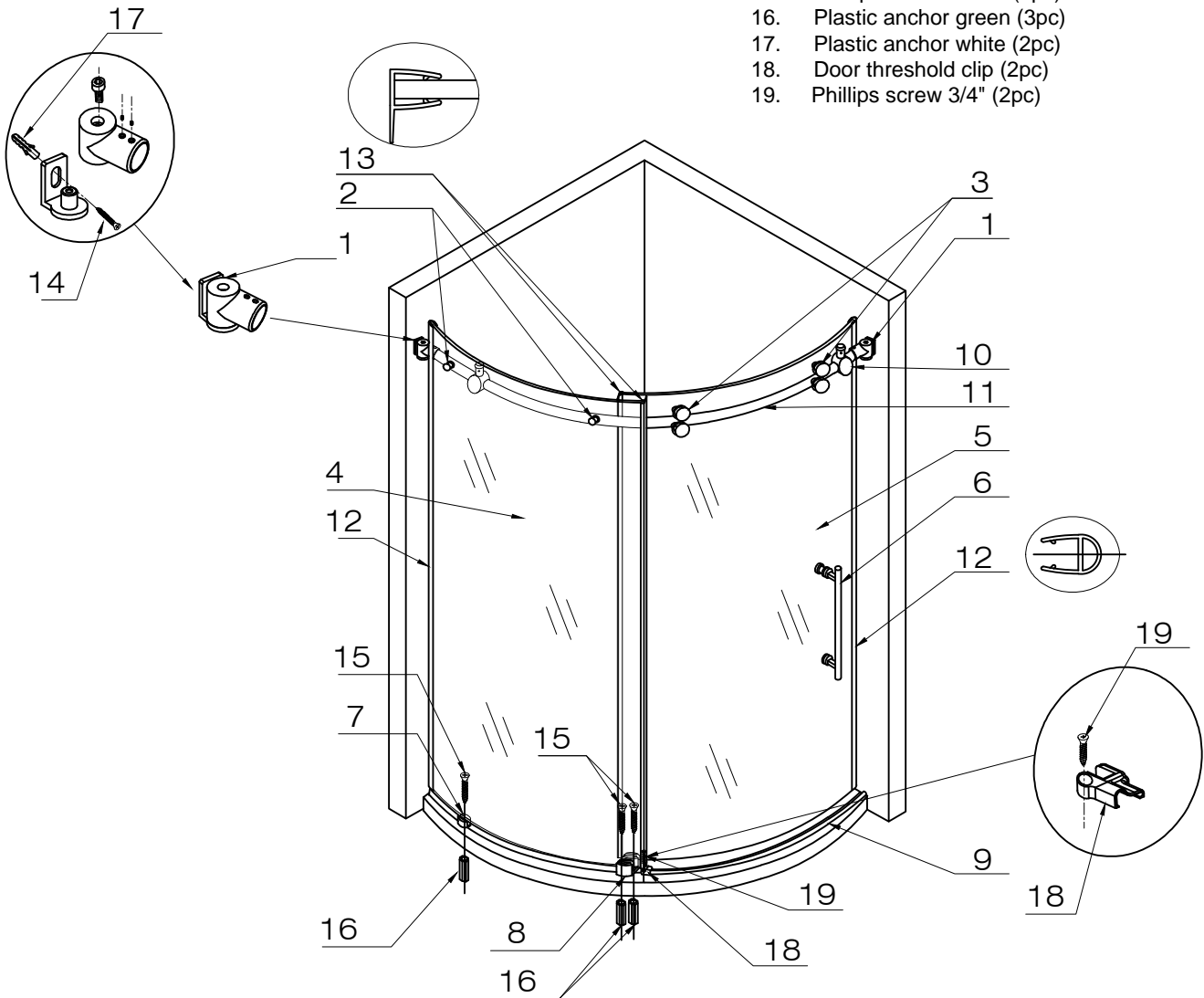
**MODEL VG06031 SANIBEL**

**INSTALLATION INSTRUCTIONS FOR SHOWER ENCLOSURE**

PLEASE READ INSTRUCTIONS BEFORE PROCEEDING

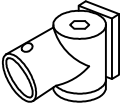



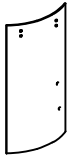

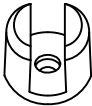
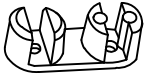

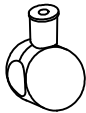

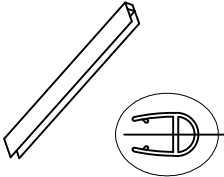
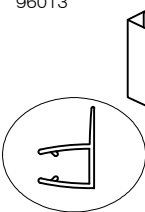


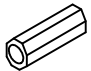



Parts List

1. Wall mount brackets (2pc)
2. Fixed panel holders (2pc)
3. Rollers (4pc)
4. Fixed panel (1pc)
5. Door (1pc)
6. Handle assembly (1pc)
7. Fixed panel bottom clip (1 pc)
8. Bottom door guide (1 pc)
9. Door threshold (1pc)
10. Door stopper (2pc)
11. Structural rail (1pc)
12. Side seal strip (2pc)
13. Door seal strip (2pc + 1 extra)
14. Phillips screw 2" (2pc)
15. Phillips screw 1 1/8" (3pc)
16. Plastic anchor green (3pc)
17. Plastic anchor white (2pc)
18. Door threshold clip (2pc)
19. Phillips screw 3/4" (2pc)



GLASS THICKNESS 5/16"

NOTE: INSTALLATION MUST BE DONE BY A QUALIFIED, LICENSED PROFESSIONAL

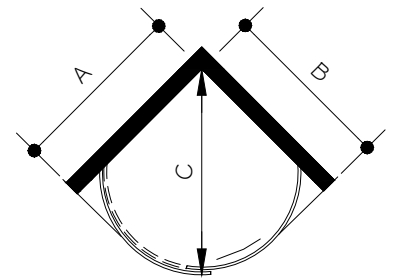
|   |   |   |   |  |
|---|---|---|---|--|
| <p>1. WALL MOUNT BRACKET ASSEMBLY<br/>98062</p>      | <p>2. FIXED PANEL HOLDER<br/>98066</p>       | <p>3. ROLLERS<br/>98020</p>    | <p>4. FIXED PANEL<br/>97017-36</p>                 | <p>5. DOOR<br/>97018</p>                    |
| <p>6. HANDLE ASSEMBLY<br/>98021</p>                   | <p>7. FIXED PANEL BOTTOM CLIP<br/>98064</p>  | <p>8. BOTTOM DOOR GUIDE<br/>98063</p>    | <p>9. DOOR THRESHOLD<br/>95007-36<br/>95007-40</p>  | <p>10. DOOR STOPPER<br/>98024</p>           |
| <p>11. STRUCTURAL RAIL<br/>98065-36<br/>98065-40</p>  | <p>12. SIDE SEAL STRIP<br/>96001</p>         | <p>13. DOOR SEAL STRIP<br/>96013</p>   | <p>14. PHILLIPS SCREW 2"<br/>98036</p>             | <p>15. PHILLIPS SCREW 1 1/8"<br/>98035</p>  |
| <p>16. PLASTIC ANCHORS<br/>98037</p>               | <p>17. PLASTIC ANCHORS<br/>98038</p>       | <p>18. DOOR THRESHOLD CLIP (LEFT &amp; RIGHT) WITH CAPS (2PC)<br/>94005R<br/>94005L</p>  | <p>19. PHILLIPS SCREW 3/4"<br/>98033</p>         |  |

\* - WITH HARDWARE AND WITHOUT SHOWER BASE (FULLY INSTALLED)

| MODEL   | DIM. "A" | DIM. "B" | DIM. "C" | HEIGHT  | #4- FIXED PANEL (97017-36) | #5- DOOR (97018)  | DOOR OPENING WIDTH |
|---------|----------|----------|----------|---------|----------------------------|-------------------|--------------------|
| 40 X 40 | 40 5/8"  | 40 5/8"  | 46 3/4"  | 74 5/8" | 36 1/4" x 74 5/8"          | 36 3/8" x 74 3/8" | 31 7/8"            |
| 36 X 36 | 38"      | 38"      | 43 3/4"  | 74 5/8" | 34" x 74 5/8"              | 34" x 74 3/8"     | 29 1/8"            |

\*\* - WITH HARDWARE AND WITH CORRESPONDING VIGO BRAND BASE VG06039 (FULLY INSTALLED)

| MODEL   | DIM. "A" | DIM. "B" | DIM. "C" | HEIGHT  | #4- FIXED PANEL (97017-36) | #5- DOOR (97018)  | DOOR OPENING WIDTH |
|---------|----------|----------|----------|---------|----------------------------|-------------------|--------------------|
| 40 X 40 | 43 5/8"  | 43 5/8"  | 46 3/4"  | 79 1/2" | 36 1/4" x 74 5/8"          | 36 3/8" x 74 3/8" | 31 7/8"            |
| 36 X 36 | 40 1/2"  | 40 1/2"  | 43 3/4"  | 79 1/2" | 34" x 74 5/8"              | 34" x 74 3/8"     | 29 1/8"            |



A, B & C DIMENSIONS WERE MEASURED AFTER SHOWER ENCLOSURE WAS COMPLETELY INSTALLED

**DEPICTION ABOVE IS ONLY TO BE USED AS A GUIDE. IN NO WAY SHOULD YOU ATTEMPT TO BUILD A BASE OR CUB OFF THIS DIAGRAM. PLEASE CONTACT VIGO INDUSTRIES TECHNICAL SUPPORT FOR ANY FURTHER INFORMATION OR ASSISTANCE.**

Product lines may change, contact your Vigo representative at 1-866-591-7792 or visit our website at [www.vigoindustries.com](http://www.vigoindustries.com) for the most up to date product line information.

**⚠ WARNING**

WE STRONGLY RECOMMEND THAT A LICENSED PROFESSIONAL INSTALL THIS SHOWER ENCLOSURE AND INCLUDE THE ASSISTANCE OF A SECOND PERSON TO INSTALL THE DOOR UNIT.

INSTALLATION OF THE SHOWER DOORS BY AN INEXPERIENCED PERSON MAY RESULT IN GLASS BREAKAGE AND CONSEQUENTLY, CAUSE PERSONAL INJURY OR DEATH.

- Handle fragile items with care to prevent personal injury or material damage.
- The glass panels are tempered and cannot be cut. Never attempt to do so.
- Always rest glass on a level surface

**BEFORE STARTING**

Compare items on your invoice with what you have received. Carefully review the Parts List on page 2. If any items are missing, please call Vigo Industries at 1-866-591-7792. Please check our website at [www.vigoindustries.com](http://www.vigoindustries.com) for additional information or instructional videos.

**REQUIRED TOOLS:**

- Square and/or Phillips #1 and #2 screwdriver
- Flat head screwdriver
- Electric drill plus 1/32", 3/32", 1/8" or 1/4" drill bit (depending on wall)
- Level
- Measuring tape
- Pencil (non-permanent)
- Clear silicone caulking
- Utility knife

**⊘ IMPORTANT**

- Fiberglass, acrylic or sheetrock construction might not be sufficiently strong enough to support the shower door enclosure. You should use the wood framing from behind the face edge of the stall to provide a secure mounting to the door. Apply a bead of silicone between the walls and base of the stall.
- For optimum performance, you should install the shower door perfectly level on a level surface. By not leveling the unit during construction the unit may leak causing possible water damage.

**See suggestion of configuration below.**

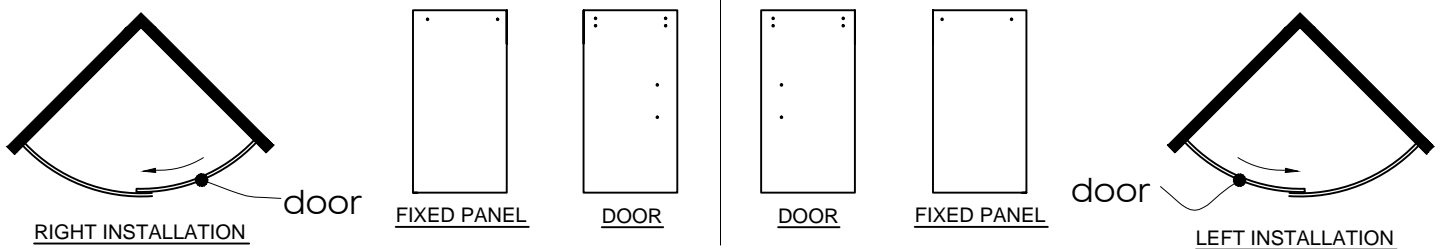


FIG. 1A (GLASS CONFIGURATION DIAGRAM)

## IMPORTANT

- Verify that the overall size of the shower door opening is appropriate for the shower enclosure.
- Due to individual site variations, exact guidelines for every situation cannot be supplied. The recommended framing and dimensional requirements are shown for a typical application and may vary depending on the site requirements.
- To prevent damage to the finish, you should protect the shower cabin bottom with a cardboard protector before beginning the installation.
- Ensure that there is sufficient structural support behind the shower wall to hold the weight of the shower door. If there is insufficient enough support, then reinforce the shower walls with wooden studs prior to shower door installation. [SEE FIG. 1]

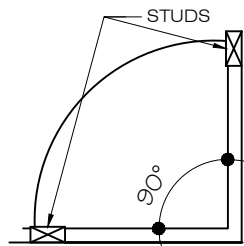
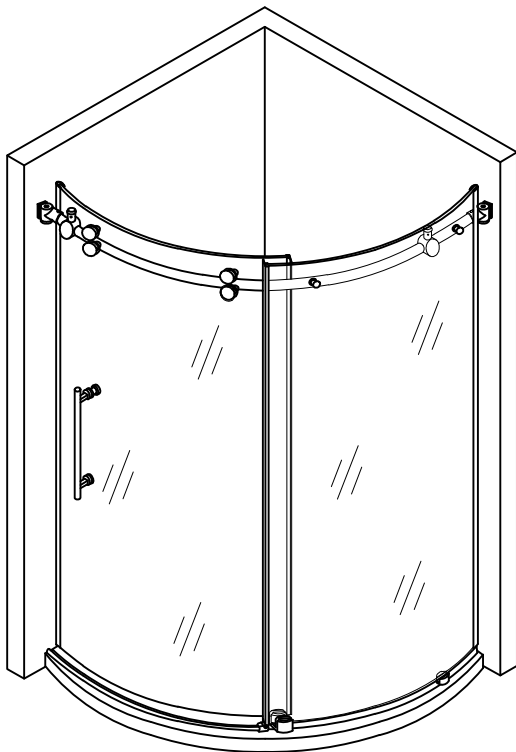
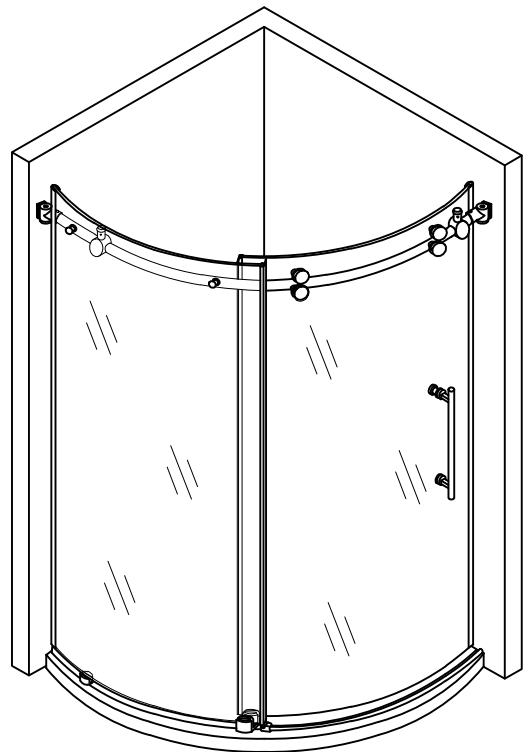


FIG.1



LEFT DOOR INSTALLATION



RIGHT DOOR INSTALLATION

### **PLEASE NOTE:**

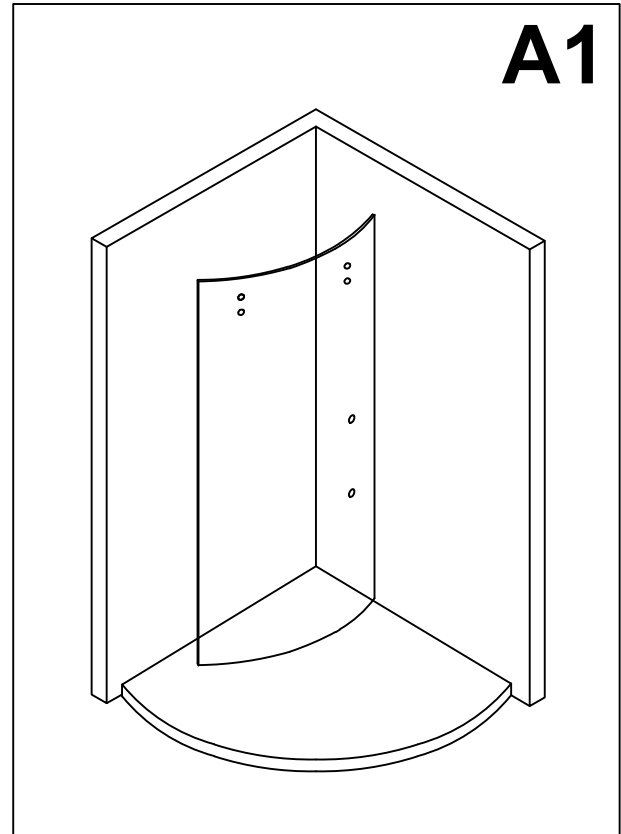
**THE VG06031 IS NOT REVERSIBLE, PLEASE REVIEW THE ABOVE DIAGRAM PRIOR TO PURCHASE.**

## INSTALLATION STEPS

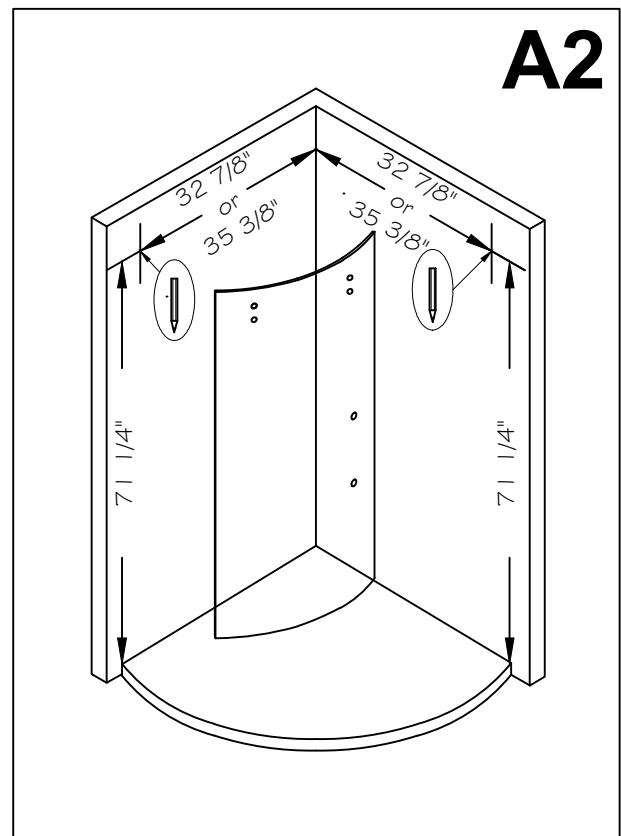
**\*NOTE:** Prior to any installation, mark lines on the floor and wall for proper dry fit. Proper planning is imperative for proper installation. The measurements of  $71\frac{1}{4}$ ",  $32\frac{7}{8}$ " and  $35\frac{3}{8}$ " in step A2 should just be used as a guide. Your actual dimensions may vary.

### A. INSTALLING THE FIXED PANEL

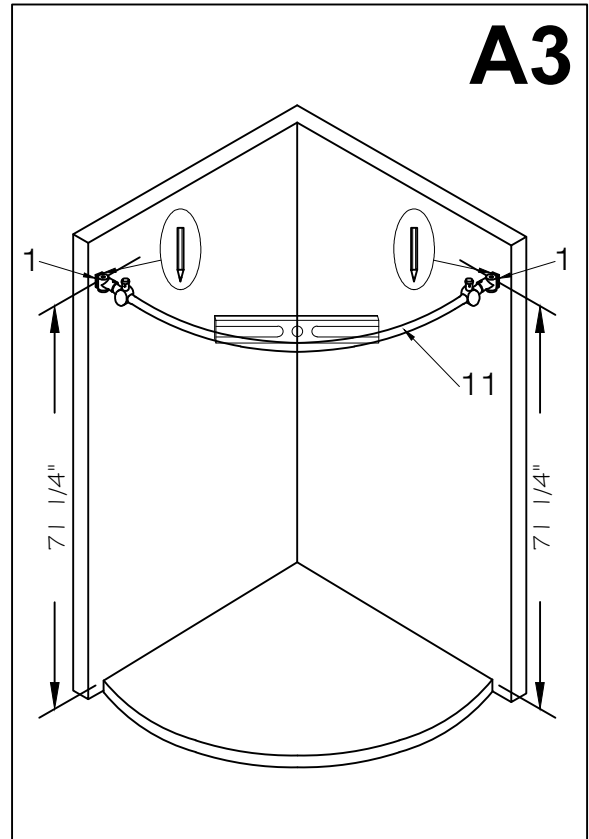
1. Place the door panel (#5) into the shower cabin first making sure to rest the glass in a manner that the glass or base does not incur damage.



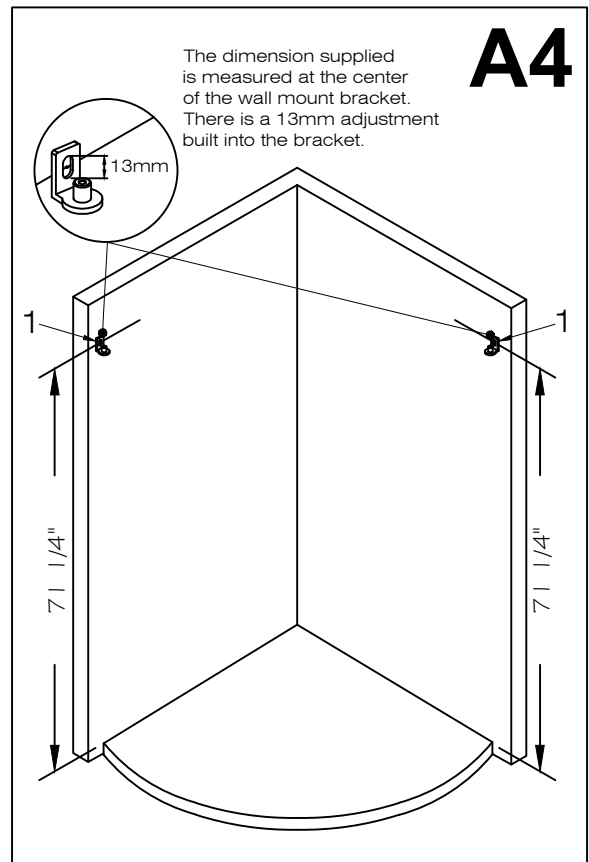
2. Arrange the glass according to the configuration you've chosen from page 4. Measure  $71\frac{1}{4}$ " from the floor or curb of base. Mark this location. This will be the height of the center of your wall mount bracket assembly (#1). Measure  $32\frac{7}{8}$ " out from the corner for the VG6031CL36 or  $35\frac{3}{8}$ " for the VG6031CL40. This will be the center point of your wall mount bracket assembly.



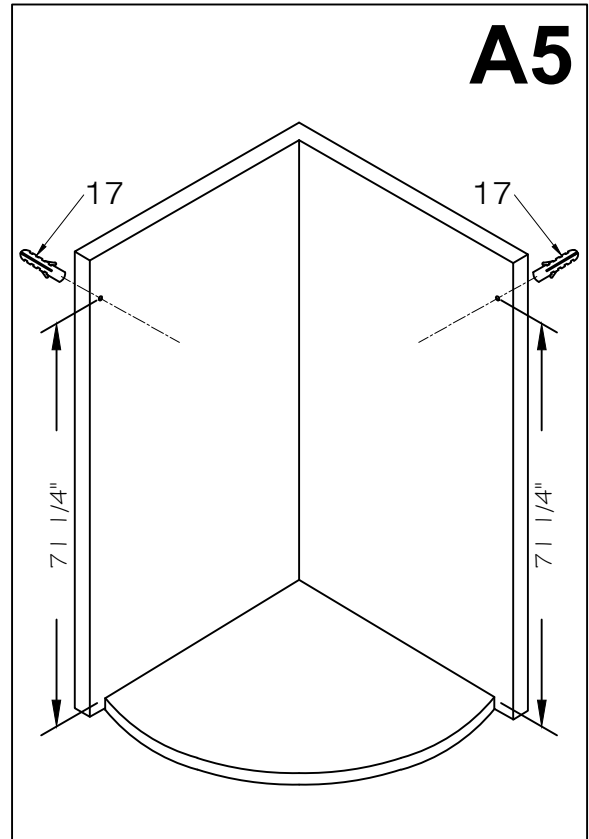
- Position the structural rail (#11) inside the shower cabin along the lines you marked at the height of 71 1/4". Use a level to position the structural rail correctly. Trace the sides and the top of the wall mount brackets (#1).



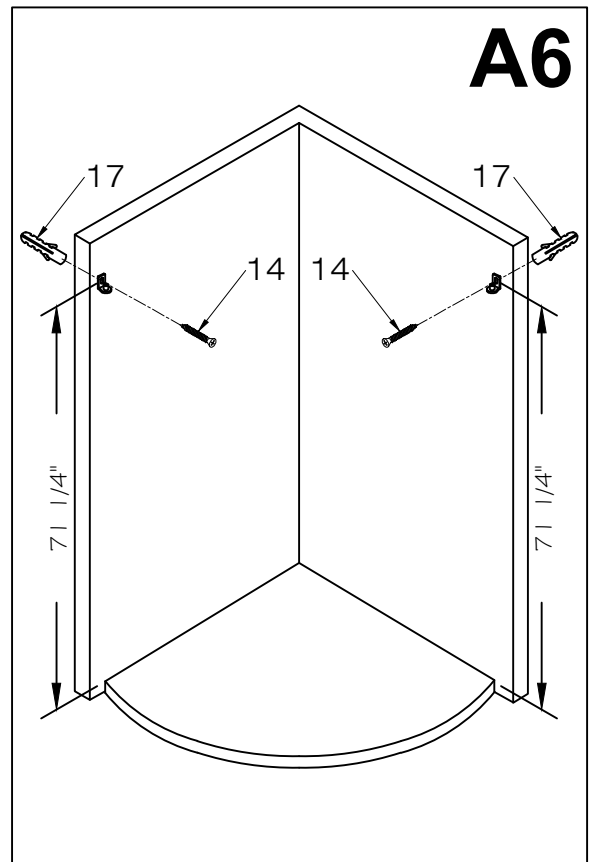
- Remove the structural rail. Remove the L bracket from the wall mount bracket (#1) using the hex key supplied and position it back to where you marked. Find the center point of the hole by sliding it up and down if necessary and mark the center along the height 71 1/4" you previously marked. There is a 13mm adjustment built into the L brackets for minor modifications.



- Drill holes and place plastic anchors (#17) inside them. **⚠ Preferred method of installation negates anchors and has the installation going right into studs.**

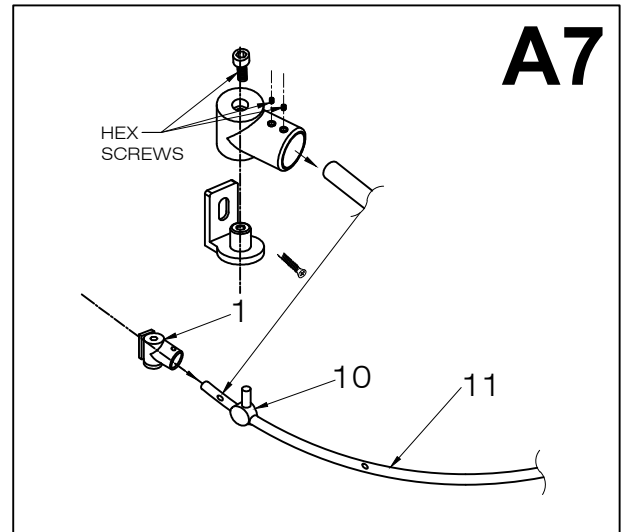


- Place the L brackets on the wall and screw in with 2" screws (#14).

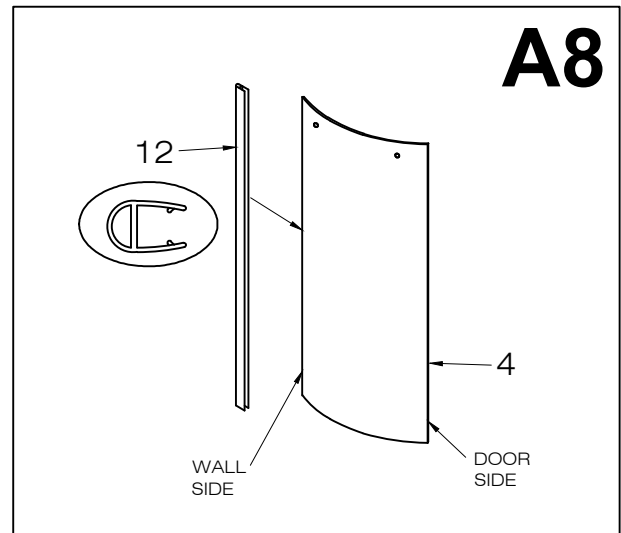




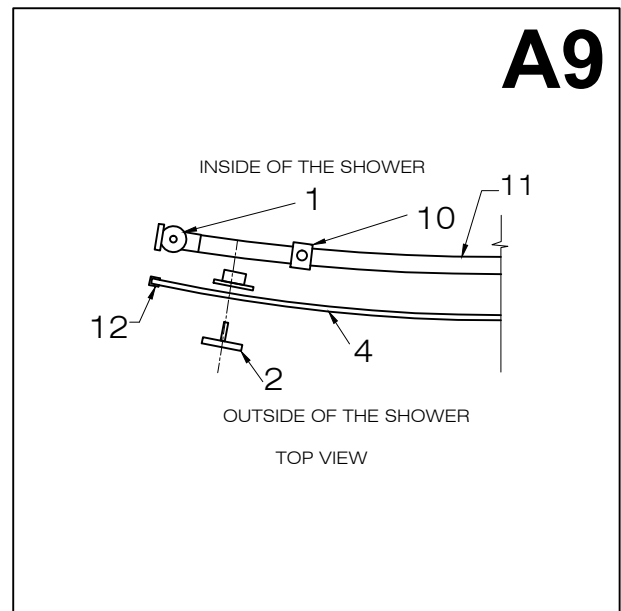
- Place the structural rail (#11) inside the wall mount bracket (#1). Tighten the hex screws on the bracket. Repeat this step for the other bracket.

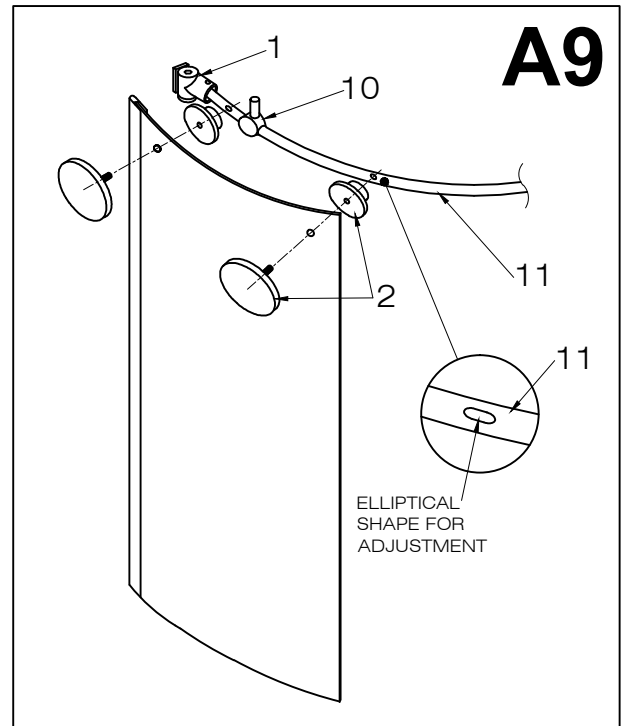


- Place the seal strip (#12) on the wall side of the fixed panel (#4).

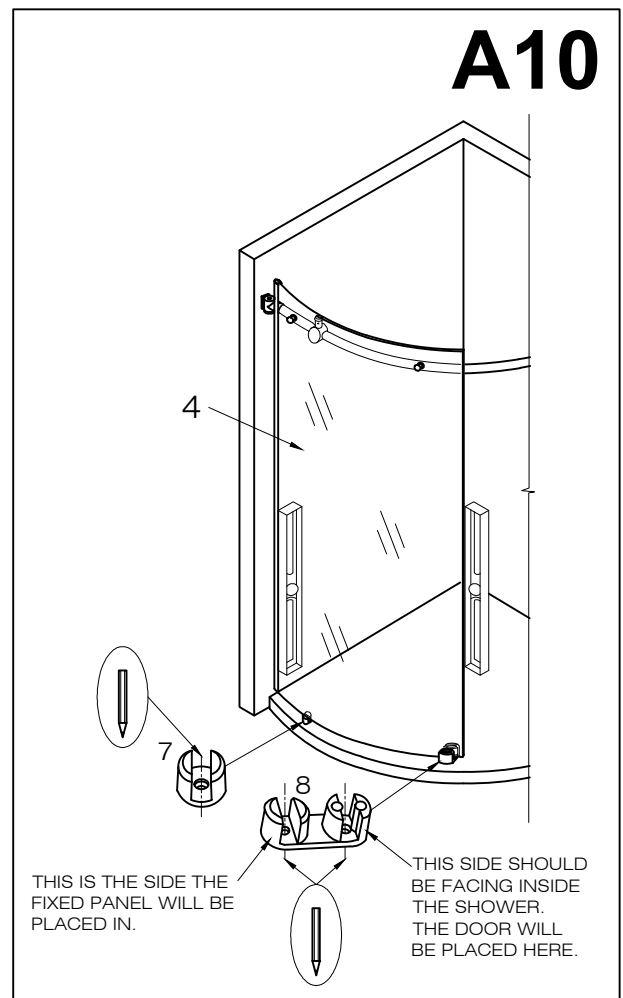


- Screw the fixed panel (#4) to the structural rail (#11) with the fixed panel holders (#2). **Note that the openings on the structural rail for the fixed panel holders have an elliptical shape.** This allows the holder screws inside the rail to move to the left and right. This will help in accommodating an uneven wall condition. Once you find the right position for the fixed panel (#4) tighten the screw with the allen key provided and cover to secure the fixed panel onto the rail.

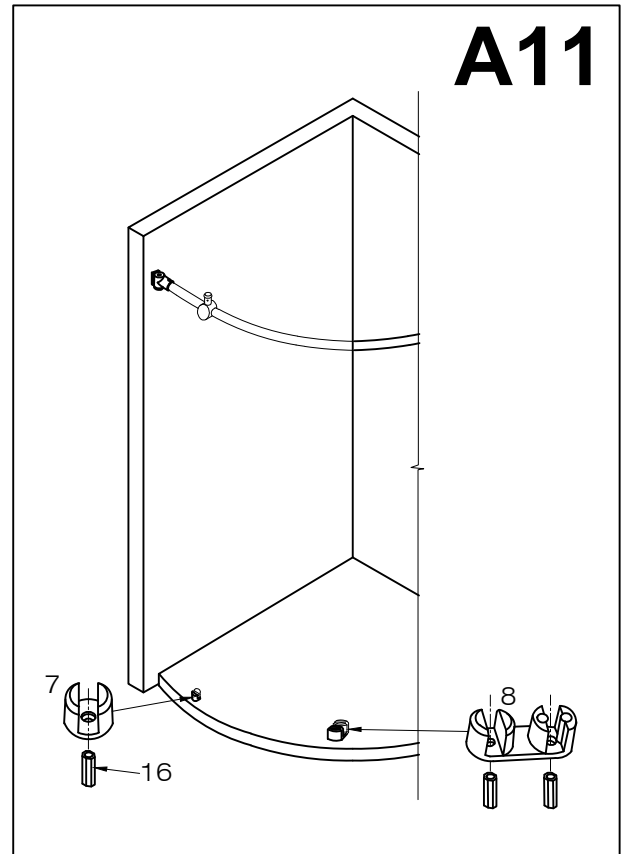




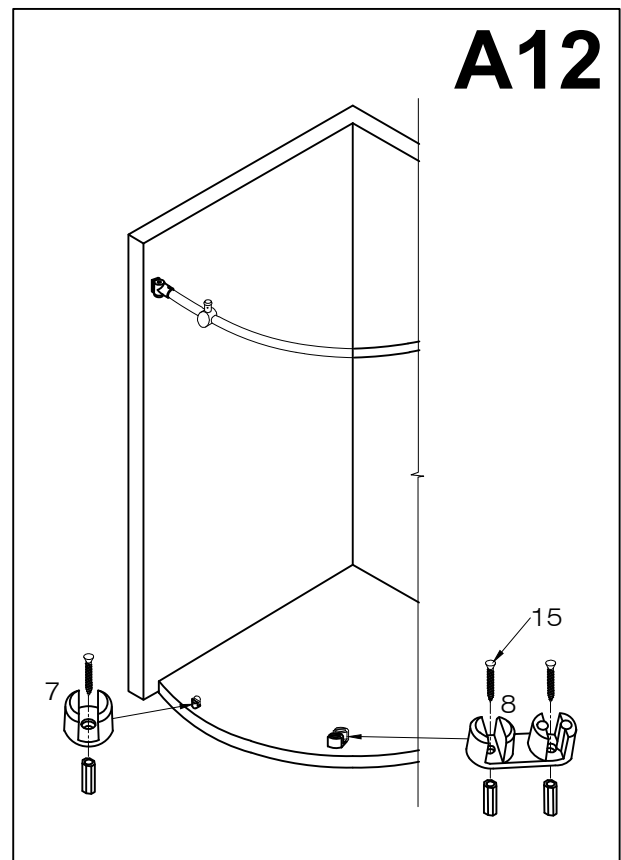
10. Holding the fixed panel (#4) in a vertical position, place the fixed panel bottom clip (#7) and bottom door guide (#8) under the fixed panel. Use a level to position it correctly. The fixed panel bottom clip (#7) should be approximately 3" away from the wall while the bottom door guide (#8) should be no more than 1" from the end of the fixed panel. Mark the location of the fixed panel bottom clip (#7) and bottom door guide (#8) on the floor.



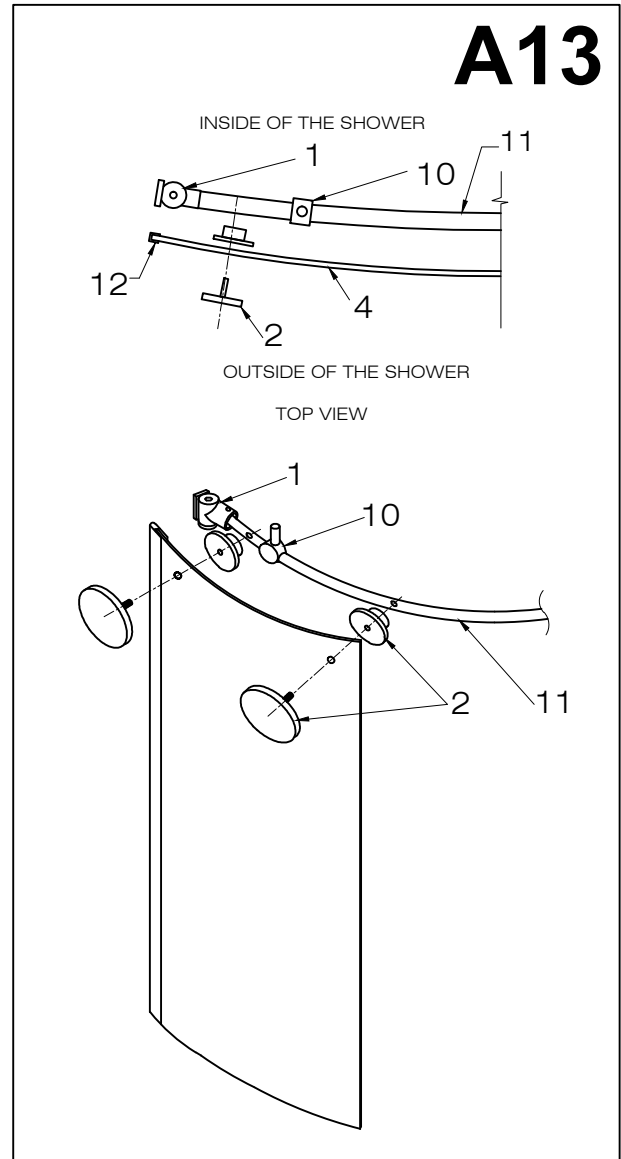
11. Remove the front fixed panel (#4) from the position in the opening. Drill holes where you marked your locations for the fixed panel bottom clip (#7) and bottom door guide (#8) and place the plastic anchors (#16) inside them.



12. Screw in the fixed panel bottom clip (#7) and the door bottom guide (#8) to the floor with 1 1/8" screws (#15).

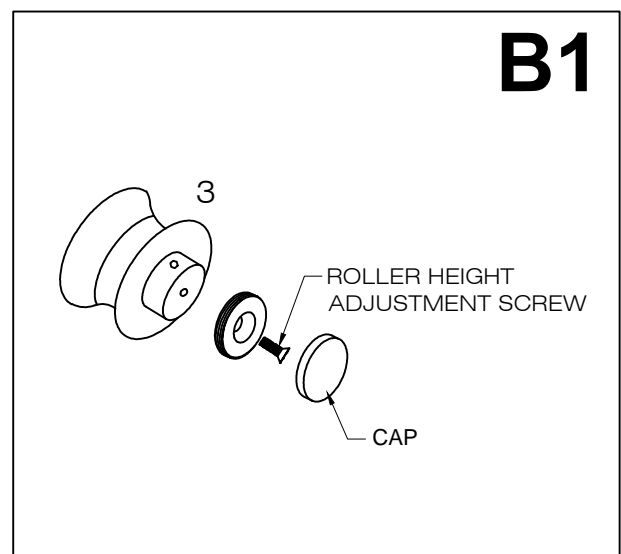


13. Place the fixed panel (#4) back into the proper position by screwing it to the structural rail (#11) with the fixed panel holders (#2).

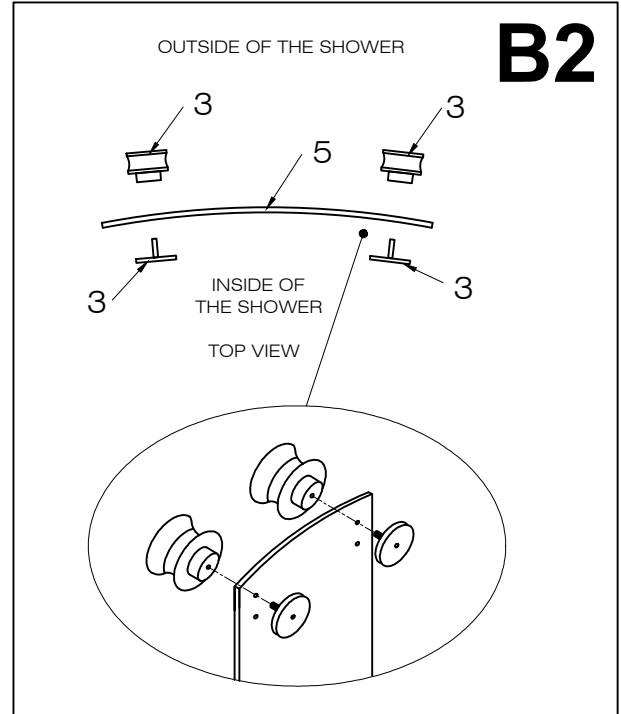


**B. INSTALLING THE DOOR**

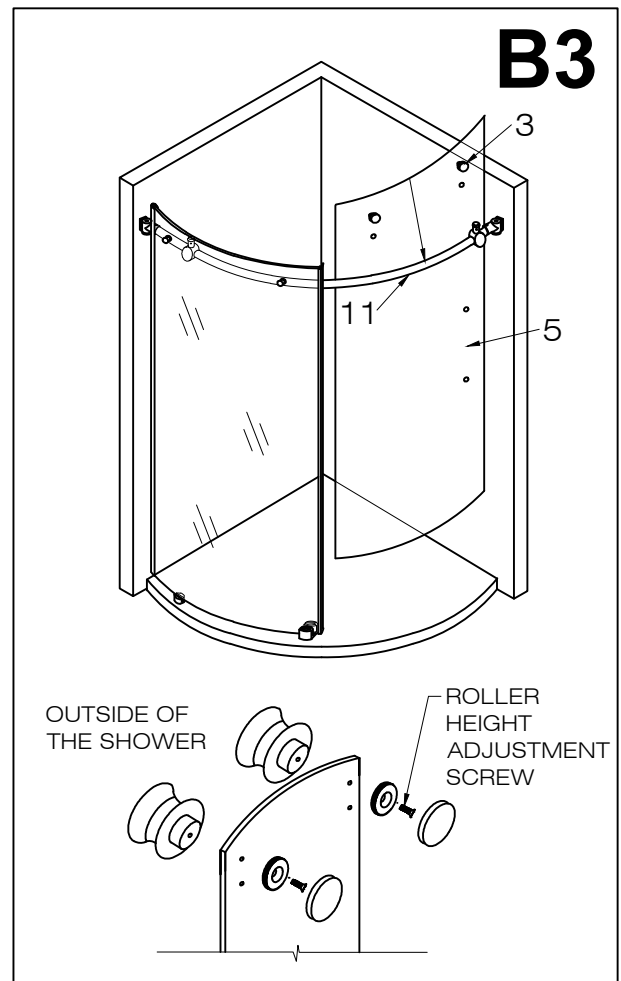
1. Remove the rollers (#3) from the box, note that these are fully installed. Carefully unthread the cap with a small head allen key. You will see a big hex screw, this is referred to as the roller height adjustment screw. Use the provided allen key to unscrew the adjustment screw and dismantle the roller.



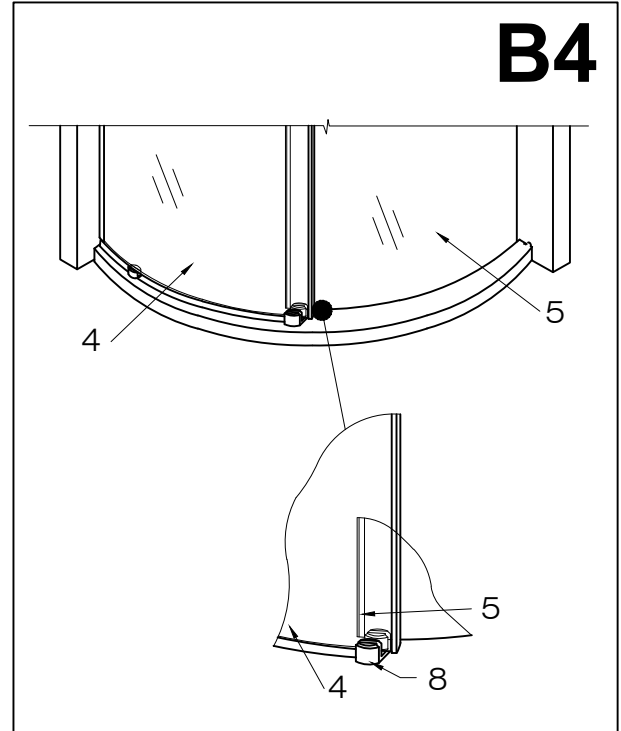
- Place the screw through door panel top holes and attach the two top rollers onto the door panel (#5).



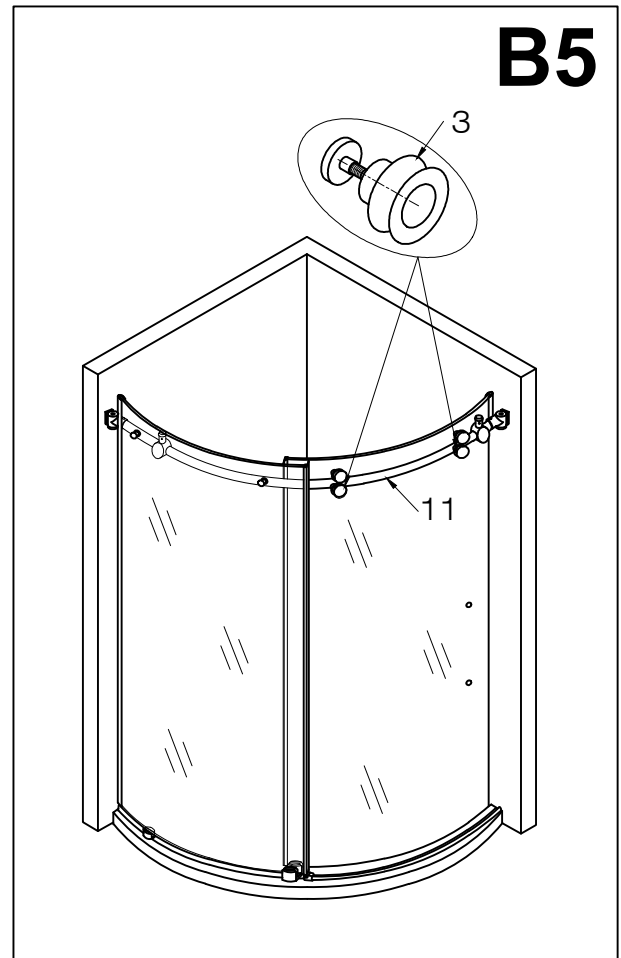
- Place the two top rollers and the door panel (#5) assembly onto the structural rail (#11). Note that the rollers have a built-in mechanism that will provide adjustment for walls that are not 100% perpendicular to the floor. If necessary, unscrew the adjustment screw and rotate the individual roller. This will raise or lower the height that the roller sits on the structural rail. Please refer to pages 21-24 for "Roller Adjustments to Accommodate Out of Square Openings." Once the rollers are properly adjusted and the door sits straight in the closed position, the adjustment will be complete. Fully tighten the adjustment screws and re-install the roller caps.



- Verify that the bottom of the door aligns with the notch in the bottom door guide (#8).

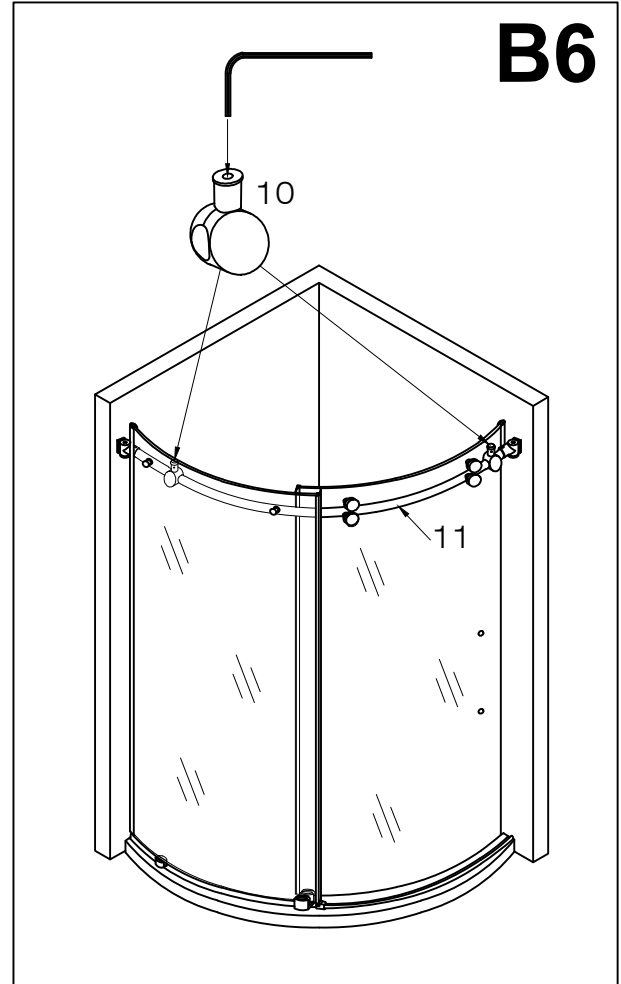


- Screw the two bottom rollers (#3) to the door panel. Rotate the bottom rollers until they are in the tightest position against the structural rail (#11).



- Adjust the pre-installed stoppers' (#10) position on the structural rail (#11) and tighten the hex screws.

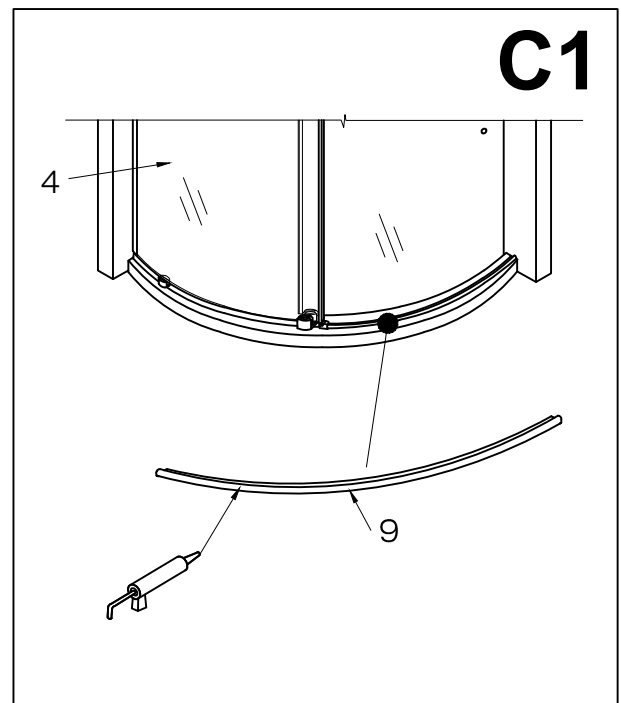
**NOTE: The stoppers should prevent the door handle from banging against the finished panel.**



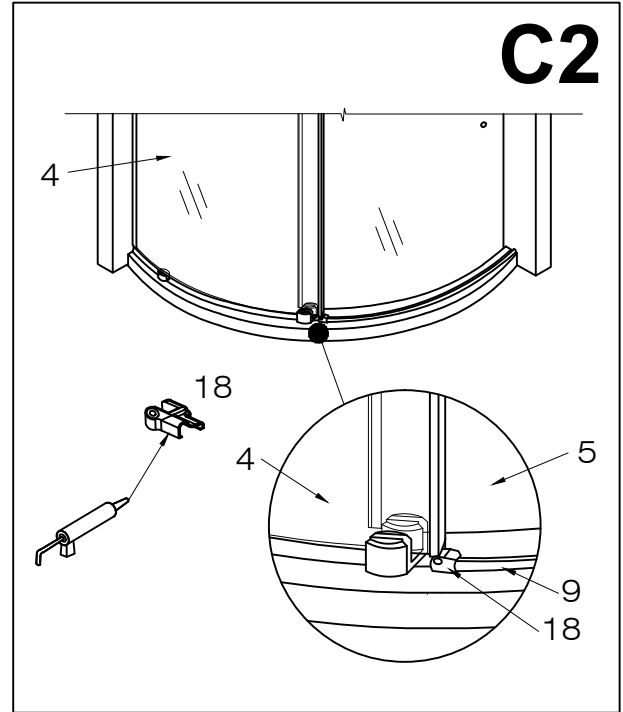
**C. INSTALLING THE THRESHOLD**

**⊘ IMPORTANT**  
 IN CASE THE THRESHOLD IS TOO LONG, CUT IT WITH A HACKSAW UNTIL IT FITS THE OPENING. **ALWAYS CUT THE THRESHOLD ON THE SIDE THAT MEETS THE FIXED PANEL (NEVER CUT THE SIDE OF THE THRESHOLD THAT GOES AGAINST THE WALL).**

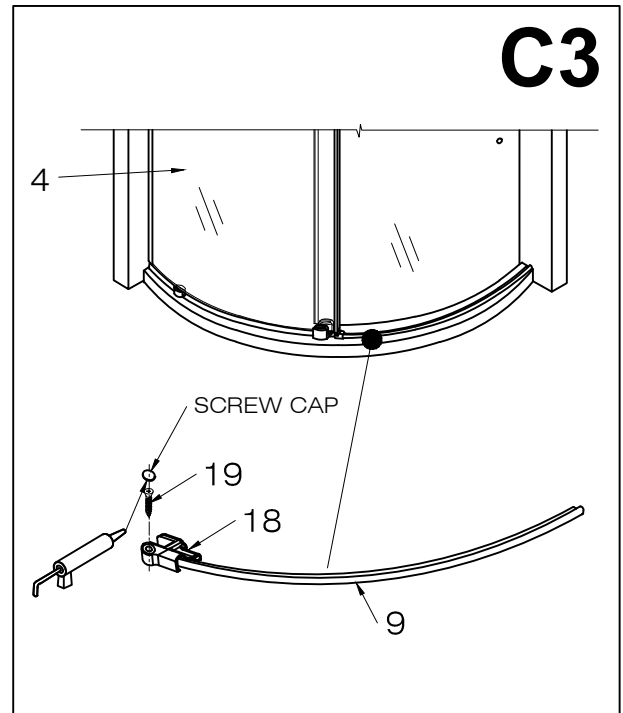
- Dry fit the threshold (#9) and the door threshold clip (#18) for accuracy. Apply silicone to the threshold (#9) and place as needed.



2. Apply silicone to the threshold clip (#18), slide on to the fixed panel and place on the threshold (#9) as needed.



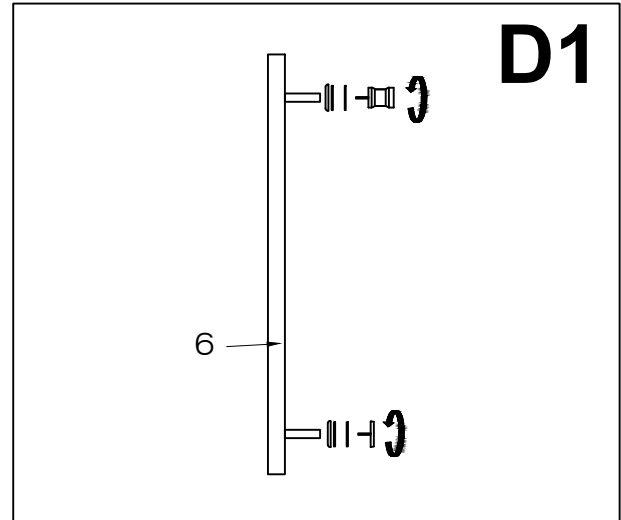
3. Screw the door threshold clip (#18) to the base curb or floor using the 3/4" phillips screw (#19). Silicone the screw cap to the threshold clip (#18).



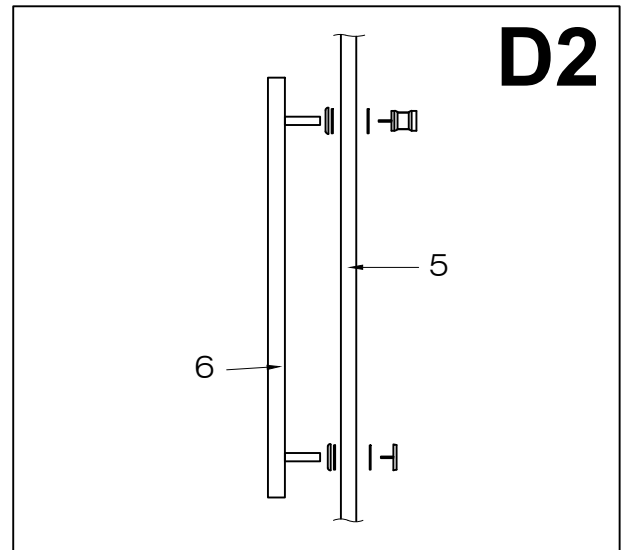


**D. INSTALLING THE HANDLE**

1. Unscrew the handle holders from the handle assembly (#6).

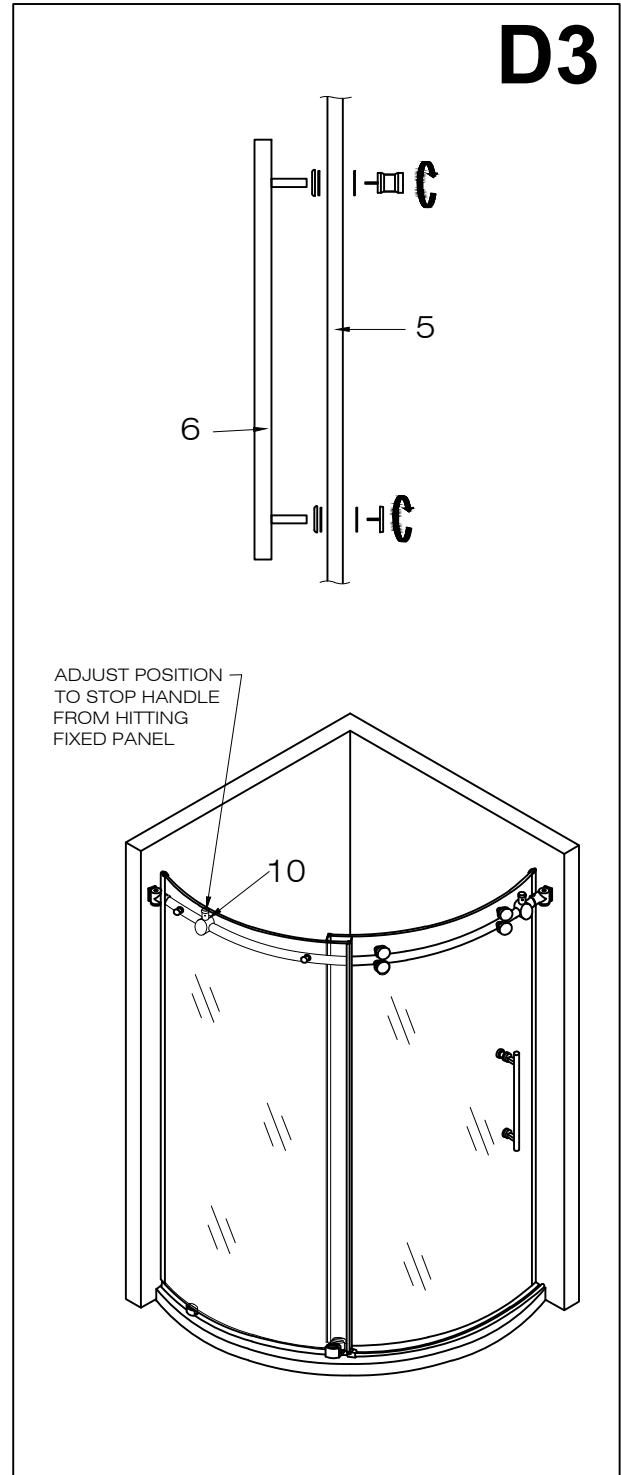


2. Place the handle to the position on the door. Place plastic washers (supplied) on each side of the door.



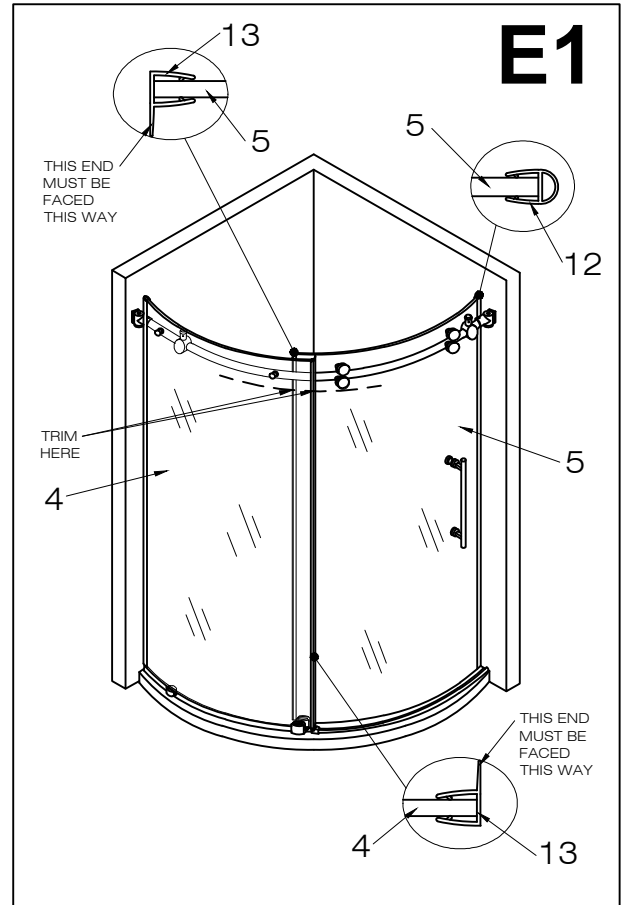
D3

3. Tighten the handle nuts from inside the shower.
- NOTE: The door stopper's position (#10) may have to change now to stop the handle from hitting the fixed panel when in the open position. Adjust accordingly.**



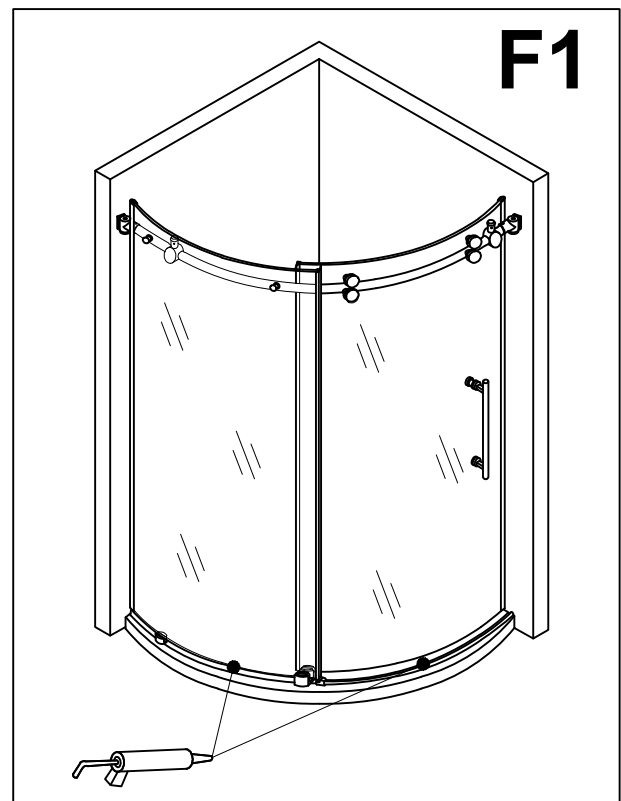
**E. INSTALLING THE WATER SEAL STRIP**

1. Place the seal strips (#12 and #13) to the door and to the fixed panel, respectively. Trim the flange on the seal strips (#13) so that there is enough clearance for the door to roll without the seal strips hitting against the rollers or door stopper.



**F. APPLYING THE SILICONE**

1. Apply clear silicone caulking along the wall and floor of the shower enclosure interior.



**⚠ IMPORTANT**

- WAIT 24 HOURS BEFORE USING SHOWER
- DO NOT ALLOW WATER TO DIRECTLY HIT DOOR SEAL STRIPS.

**CLEANING INSTRUCTIONS FOR THE SHOWER CABIN AND DOOR PANEL**

1. Use a mild liquid household cleaner to keep metal surfaces bright and clean. Rinse well and dry with a soft, clean cloth.
2. Remove dust with a soft, damp cloth.
3. Use a standard household window cleaner to clean the glass panels.
4. A water beading treatment, similar to what you would use on an automobile windshield, can be used on the inside of the glass to keep it looking brand new.
5. Use rubbing alcohol to clean and remove grease, oil, paint and ink.
6. Should you accidentally scratch or stain your shower enclosure, use a liquid automobile polish to remove.

**⚠ IMPORTANT**

1. DO NOT use abrasive cleaners, scrapers, metal brushes or any items that could scratch or dull the surface.
2. DO NOT allow surface to come in contact with acetone (nail polish remover), dry cleaning solution, lacquer thinner, gasoline or other similar products.

**REGULAR CARE AND MAINTENANCE OF YOUR VIGO SHOWER ENCLOSURE**

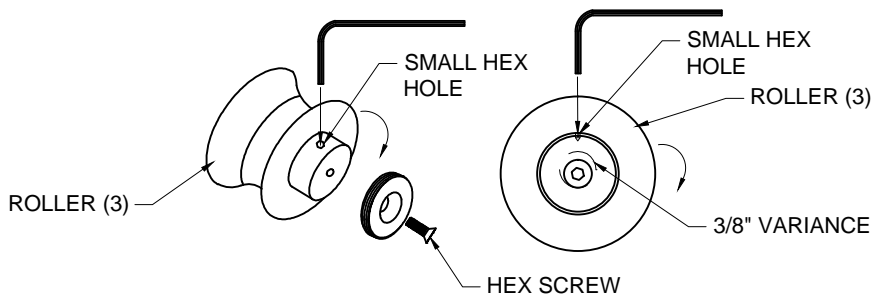
Your home is a moving entity, shifting and settling over time. Vigo understands this and has designed their shower enclosures with this in mind. It is the responsibility of the homeowner or end user to maintain the integrity of their newly installed enclosure, using the integrated adjustability features. In order to keep your shower enclosure in optimal working condition, Vigo recommends regularly inspecting your enclosure and tightening any hardware that may have loosened during use. This simple step will insure optimal results from your Vigo shower enclosure for many years to come.

**⊘ IMPORTANT**

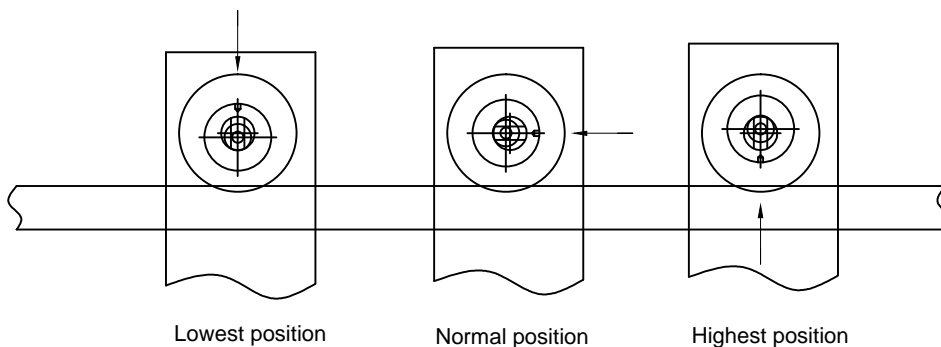
**ROLLER ADJUSTMENTS TO ACCOMMODATE OUT OF SQUARE OPENINGS**

NOTE: There is a 3/8" adjustment in the roller to use in the case that your walls are not plumb and level. Using an allen key, you will be able to adjust the roller to accommodate for the variance.

1. Loosen the hex screw to allow for movement. Then place the allen key in the small hex hole as shown and roll it to the right or left to make the adjustment. [See Fig.1]
2. Fig. 1A displays the 3 different positions.
3. If your walls are plumb and level, follow the configuration in Fig. 2.
4. In the case that your wall is off on the top, the rollers should be adjusted as shown in Fig. 3.
5. In the case that your wall is off on the bottom, the rollers should be adjusted as shown in Fig. 4.



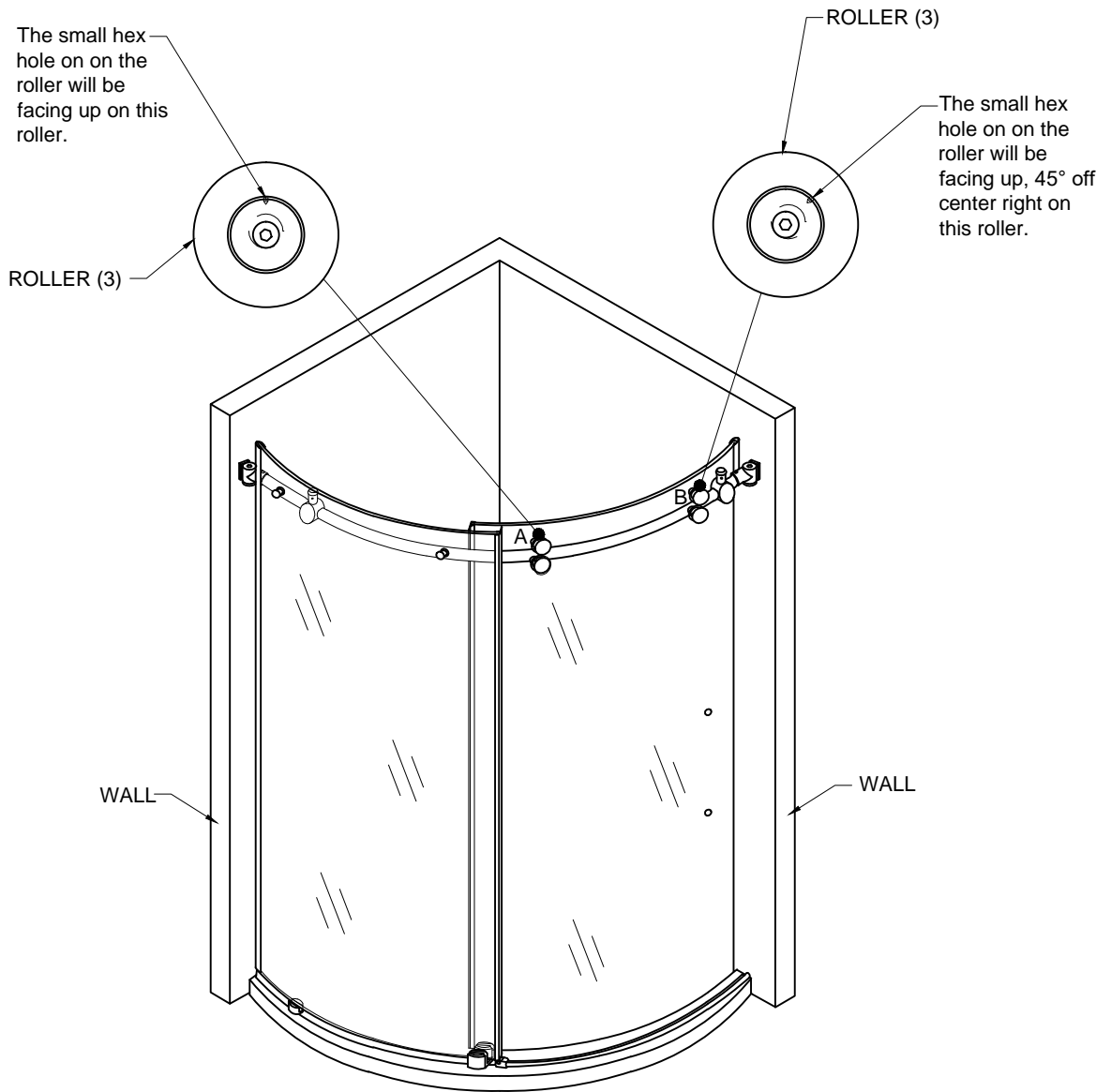
**FIG. 1**



**FIG. 1A**

**⊘ IMPORTANT**

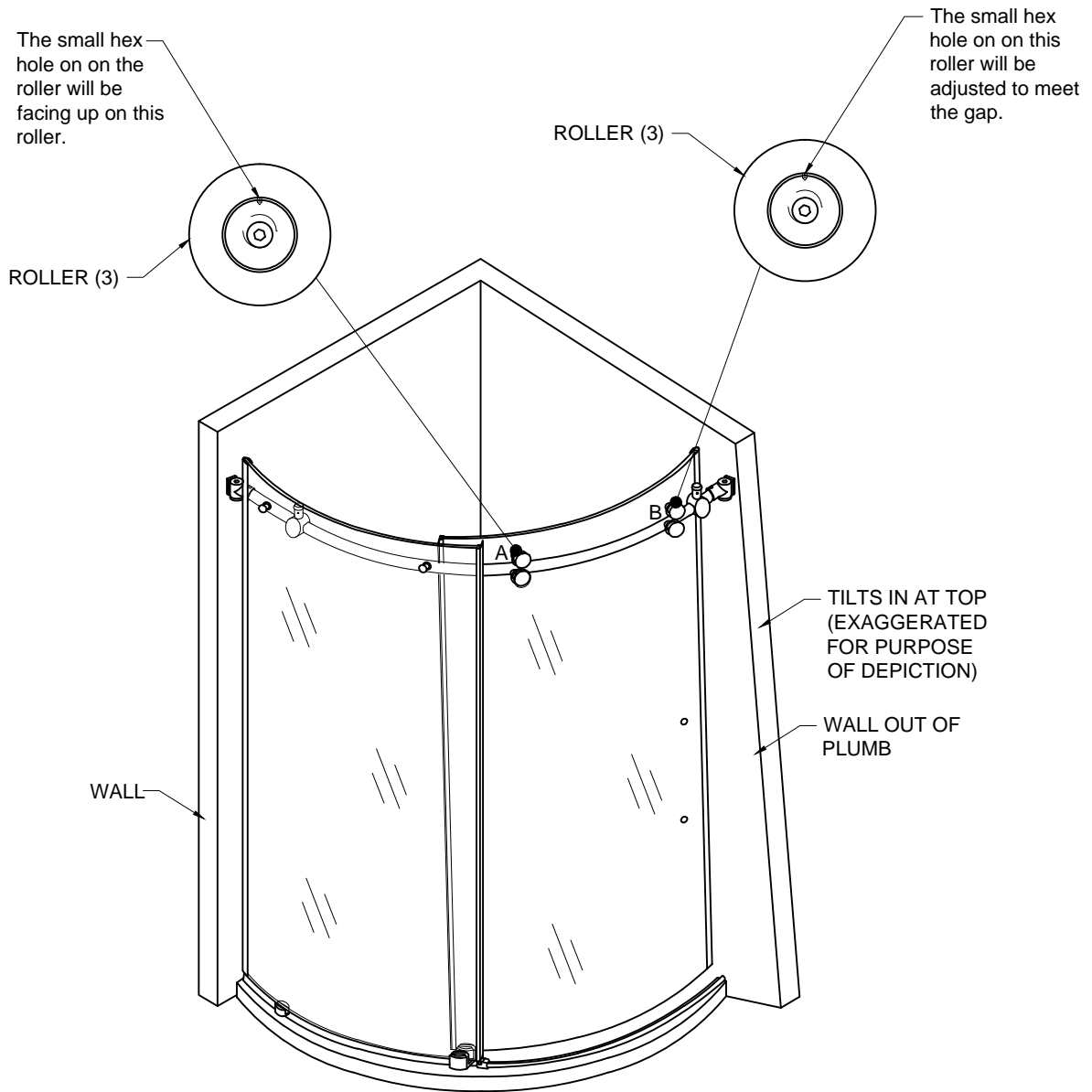
NOTE: These adjustments are approximate. You may need to adjust the direction of the small hex hole to meet your needs.



STRAIGHT WALLS

| WALL DIRECTION | ROLLER "A"<br>SMALL HEX HOLE<br>DIRECTION | ROLLER "B"<br>SMALL HEX HOLE<br>DIRECTION |
|----------------|---|---|
| STRAIGHT WALL  | UP  | UP, 45° RIGHT                             |

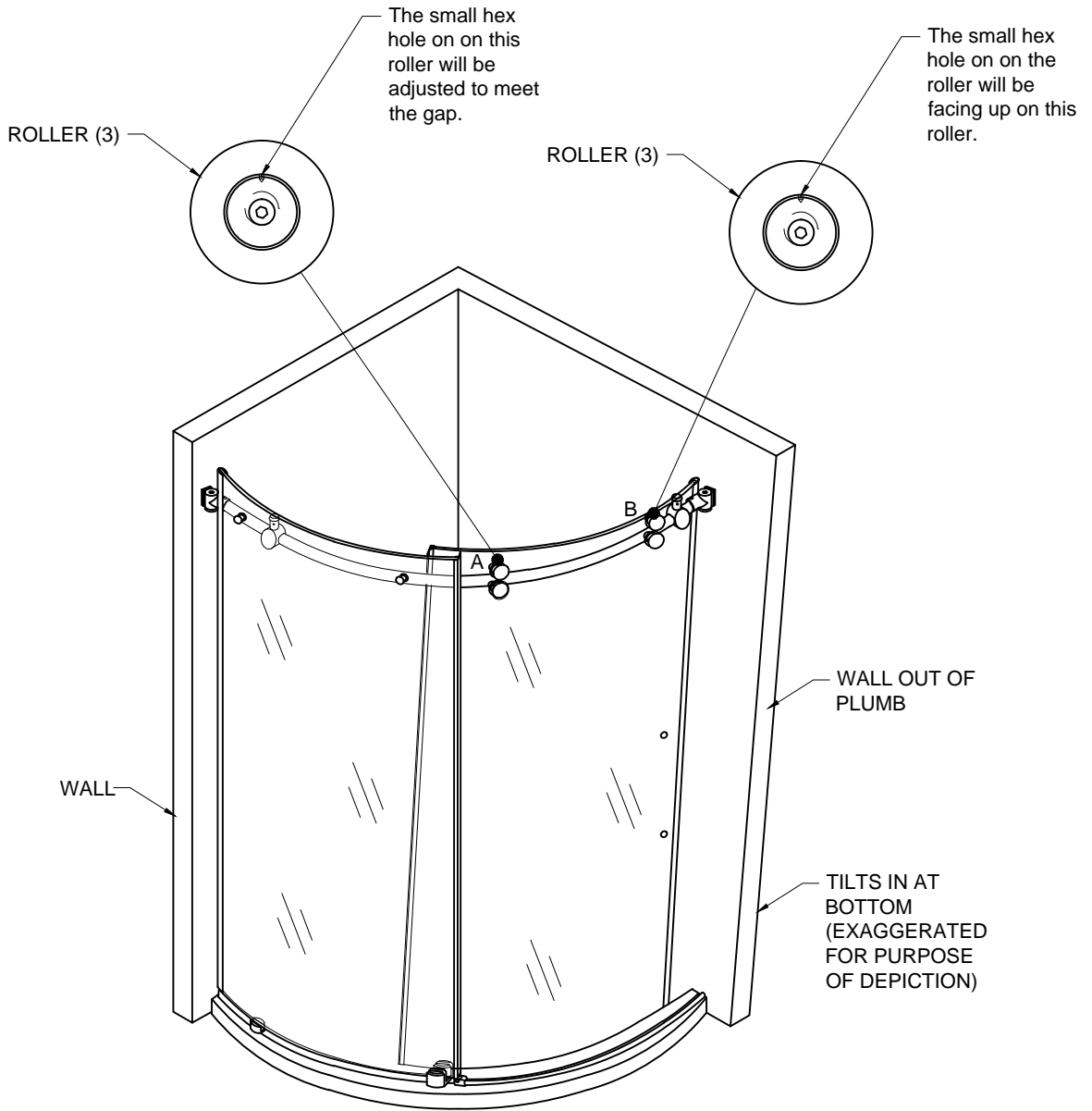
FIG. 2



TOP ANGLED WALL

| WALL DIRECTION | ROLLER "A"<br>SMALL HEX HOLE<br>DIRECTION | ROLLER "B"<br>SMALL HEX HOLE<br>DIRECTION |
|----------------|---|---|
| TOP ANGLED     | UP  | ADJUST AS NEEDED                          |

FIG. 3



BOTTOM ANGLED WALL

| WALL DIRECTION | ROLLER "A" SMALL HEX HOLE DIRECTION | ROLLER "B" SMALL HEX HOLE DIRECTION |
|----------------|-------------------------------------|-------------------------------------|
| BOTTOM ANGLED  | ADJUST AS NEEDED                    | UP                                  |

FIG. 4



VIGO INDUSTRIES, LLC ("VIGO")  
SHOWER ENCLOSURE LIMITED LIFETIME WARRANTY

EFFECTIVE JANUARY 1, 2010

VIGO offers the following limited warranty on each of its Shower Enclosure products\* (the "Product") and the components thereof. This warranty extends only to the original owner or end-user for personal household use. For commercial uses, additional limitations apply.

VIGO warrants the structural glass component of the Product to be free from defects in workmanship and materials under normal use and service for the period commencing from the initial date of purchase by the owner or end-user, contractor, or builder, from VIGO or an authorized VIGO dealer, through the lifetime of the original owner or end-user.

VIGO warrants the hardware components of the Product to be free from defects in workmanship and materials under normal use and service for a period of two (2) years from the initial date of purchase by the owner or end-user, contractor, or builder, from VIGO or an authorized VIGO dealer.

VIGO warrants the seal strip components of the Product to be free from defects in workmanship and materials under normal use and service for a period of one (1) year from the initial date of purchase by the owner or end-user, contractor, or builder, from VIGO or an authorized VIGO dealer.

Subject to the Warranty Service provision below, any product reported to the authorized dealer or to VIGO as being defective within the warranty period will be repaired or replaced (with a product of equal value) at the option of VIGO. This warranty extends to the original owner or end-user and is not transferable to a subsequent owner.

Neither the distributor, authorized VIGO dealer, nor any other person has been authorized to make any affirmation, representation, or warranty other than those contained in this warranty. Any affirmation, representation, or warranty other than those contained in this warranty shall not be enforceable against VIGO or any other person.

VIGO reserves the right to modify this warranty at any time, it being understood that such modifications will not alter the warranty conditions applicable at the time of sale of the products in question.

#### Limitations

This warranty shall not apply to instances of incorrect operating procedures, breakages, or damages caused by fault through improper installation, carelessness, abuse, misuse, misapplication, improper maintenance, or alteration of the Product, as well as chemical or natural corrosion, accident, fire, flood, an act of God, or any other casualty. Avoid abrasive cleaners, steel wools, and harsh chemicals as these will scratch, damage, and / or dull the product and / or finish and void this warranty. The owner/end-user of the Product covered by the present warranty is entirely responsible for its proper installation and any applicable plumbing or electrical wiring. VIGO neither installs nor supervises the installation nor hires a contractor for this purpose; consequently, VIGO cannot be held responsible for any default, breakage, or damages caused thereby or resulting thereof, either directly or indirectly.

The owner/end-user must provide access to the components of the Product as described in the installation guide so that VIGO can execute the warranty specified herein. If such access is not available, all expenses to provide said access will be the responsibility of the owner/end-user.

This warranty does not apply to Products that have not been installed or operated in accordance with instructions supplied by VIGO and all applicable rules, regulations, and legislation pertaining to such installations.

This warranty does not apply unless the VIGO Product is installed by fully insured licensed professionals. VIGO strongly recommends that such licensed professionals have experience in the installation of bathroom and kitchen products. Installation of certain products, including, without limitation, glass products (i.e., shower doors and glass sinks) by an inexperienced person may result in glass breakage and, consequently, cause personal injury or death.

VIGO is not liable for personal injuries or deaths to any persons or for any direct, special, incidental, or consequential damage, loss of time, loss of profits, inconvenience, incidental expenses, labor or material charges, or any other costs resulting from the use of the product or equipment or pertaining to the application of the present warranty, or resulting from the removal or replacement of any product or element or part covered by this warranty.

EXCEPT AS OTHERWISE PROVIDED ABOVE, VIGO MAKES NO WARRANTIES, EXPRESSED OR IMPLIED, INCLUDING WARRANTIES OF MERCHANTABILITY AND FITNESS FOR A PARTICULAR PURPOSE OR COMPLIANCE WITH ANY CODE.

In any case, VIGO cannot be held liable for any amount over and above the purchase price paid for the Product by the owner/end-user, contractor, or builder.

#### Commercial Limitations

In addition to the above conditions and limitations, the warranty period for products installed for commercial applications or used in commercial ventures is one (1) year from the initial date of purchase by the owner/end-user, contractor, or builder from an authorized dealer. VIGO is not responsible for loss of use or profit under any circumstances. If the product is used as a display, the warranty period begins when the product is placed on display. This warranty gives the owner/end-user specific legal rights. The owner/end-user may also have other rights which can vary from one state or province to another.

#### Warranty Service

In order to obtain service provided under this warranty during regular business hours, contact the dealer or distributor who sold the unit, or contact VIGO directly. VIGO will provide the warranty service described above when the following conditions have been met: the failure is of the nature or type covered by the warranty; the user has informed an authorized VIGO Agent or VIGO's warranty service department representative of the nature of the problem during the warranty period; conclusive evidence (e.g., proof of purchase or installation) is provided to the foregoing by the user proving that the failure occurred or was discovered within the warranty period; an authorized independent service person or company representative has been permitted to inspect the product during regular business hours within a reasonable time after the problem was reported by the user. VIGO's warranty obligation shall be discharged upon tender of replacement or repair. The customer's refusal to accept the tender terminates VIGO's warranty obligations.

\*Certain models are pending approval.  
Certification may be ended by VIGO or certification agencies without notice.