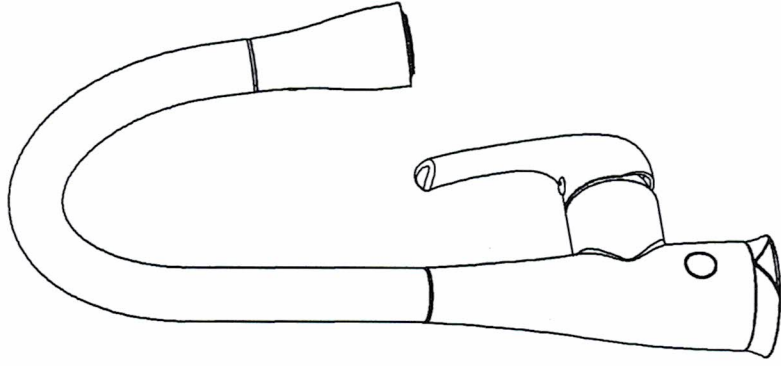
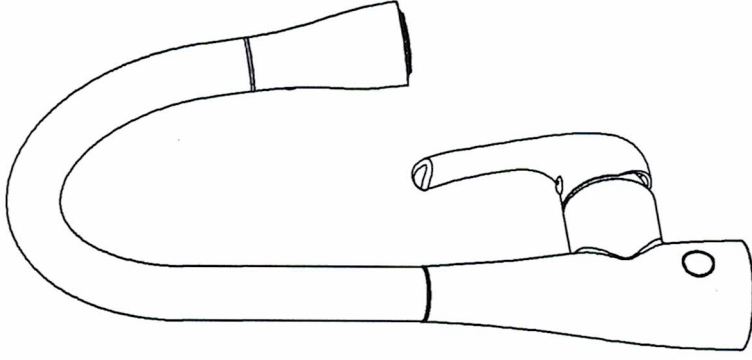


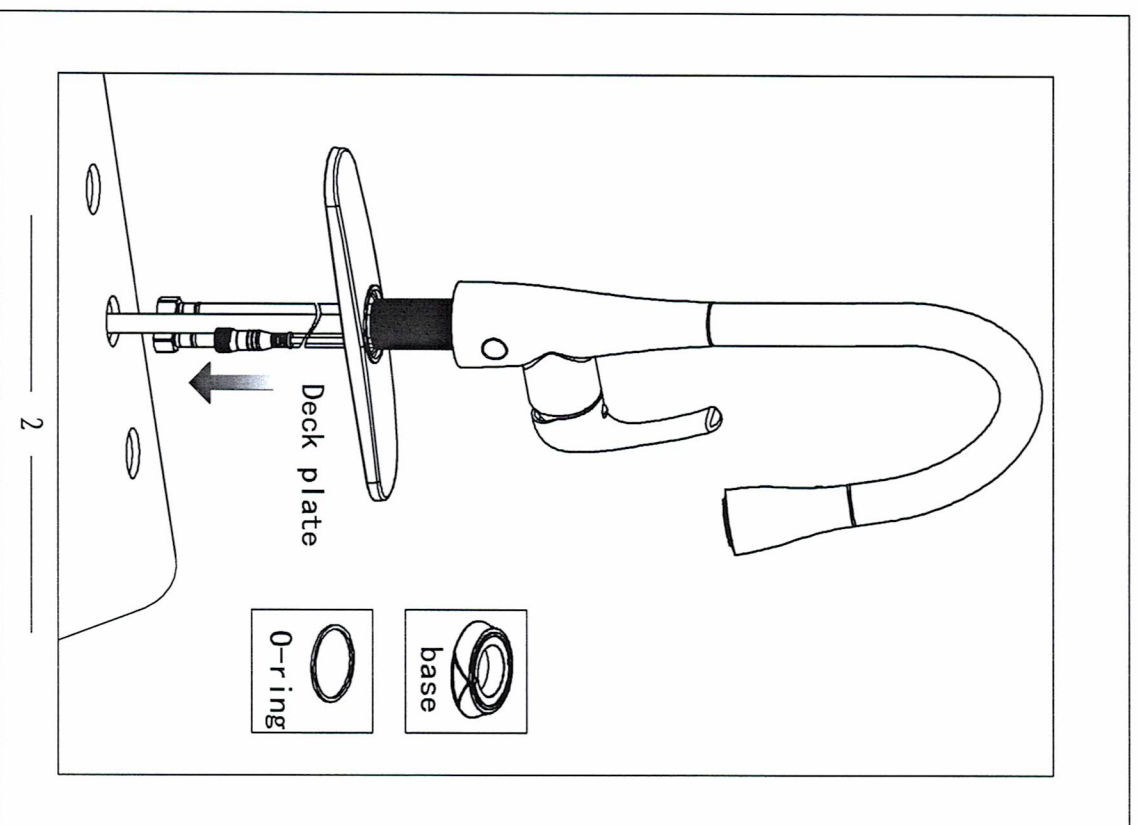
3-hole



1-hole  
with base

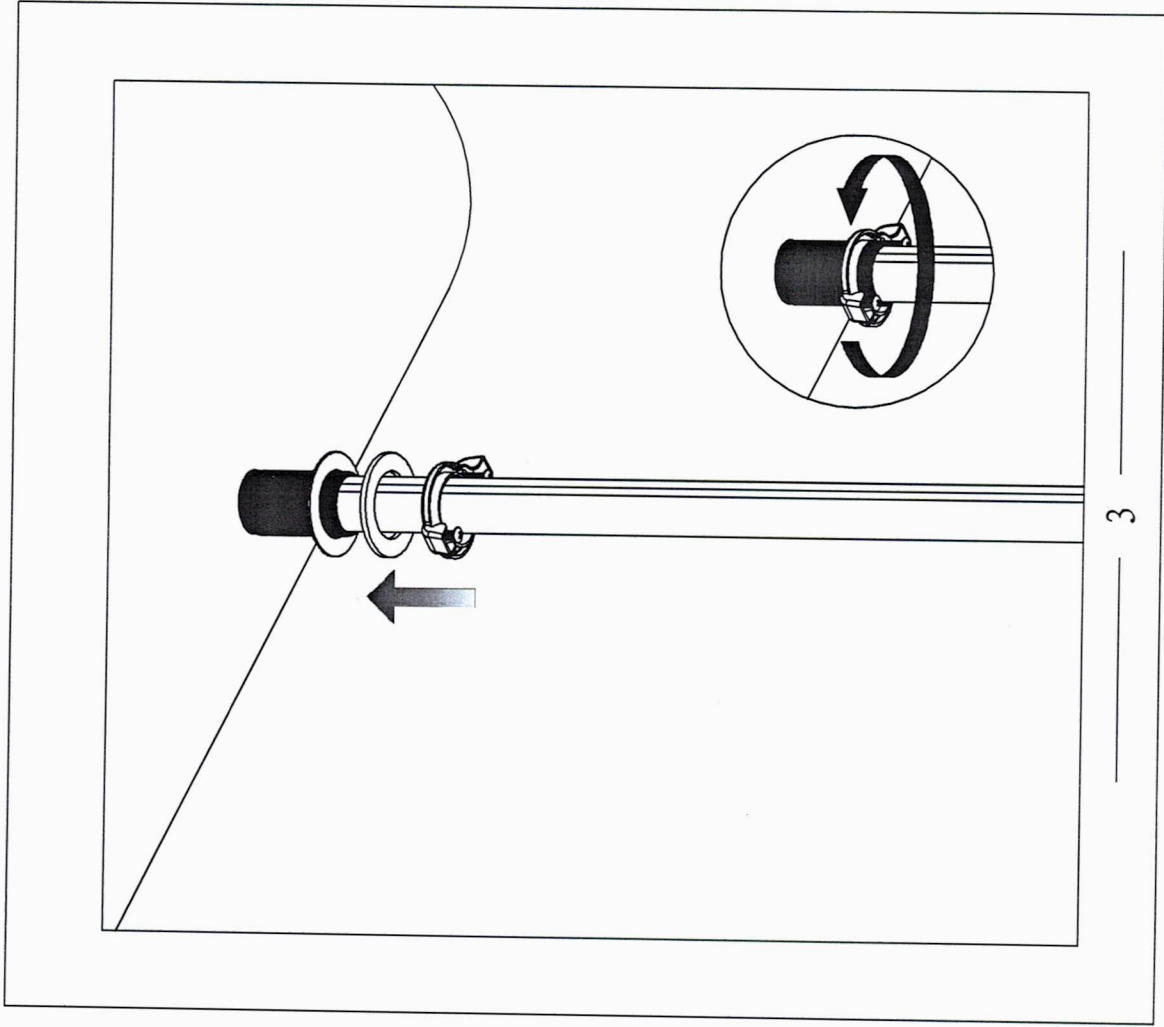


1-hole  
without base

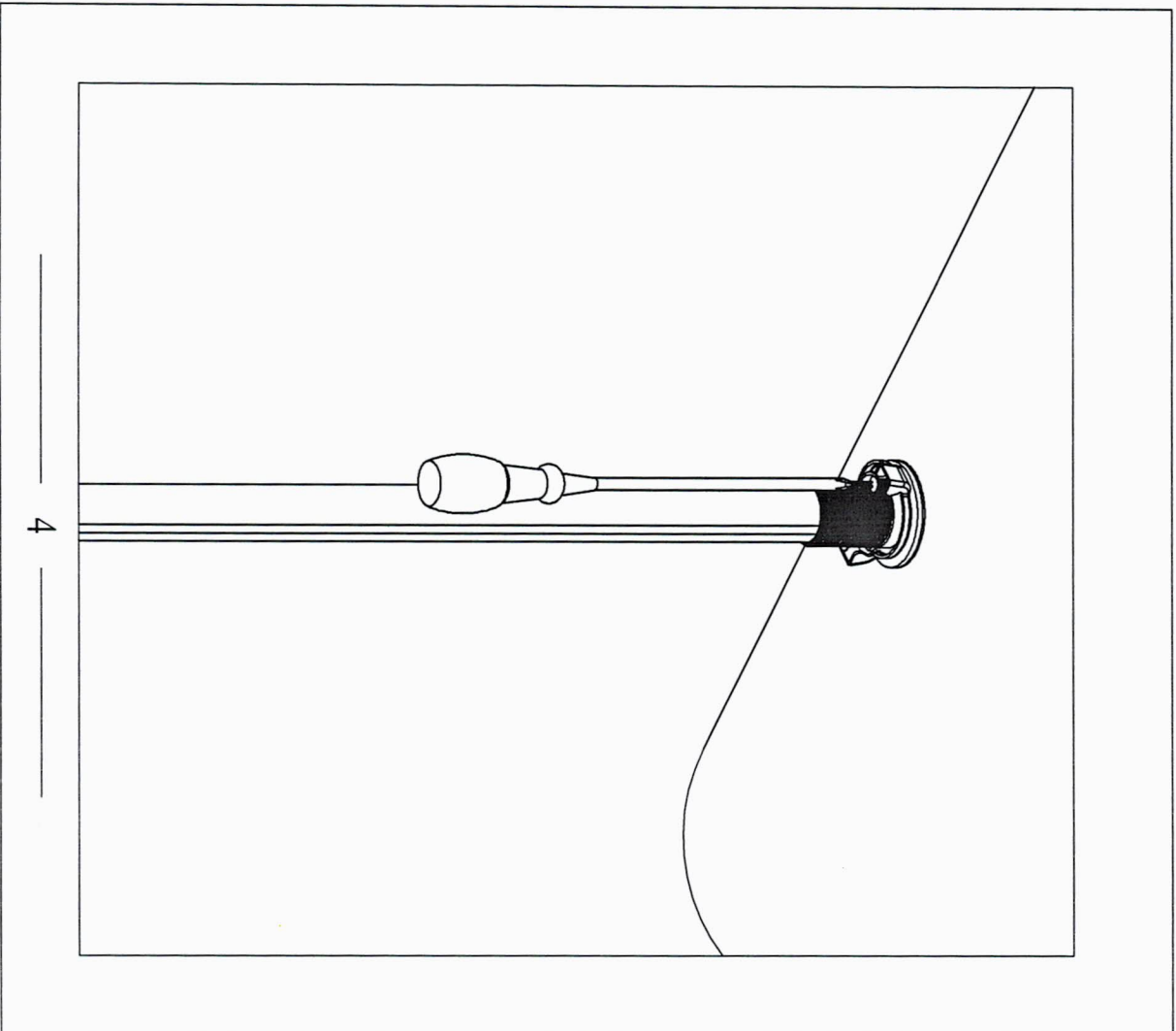


For 1-hole sink, insert the O-ring (or base) over the cable, hoses and the shank into (or to) the faucet bottom, and then mount the faucet on the sink

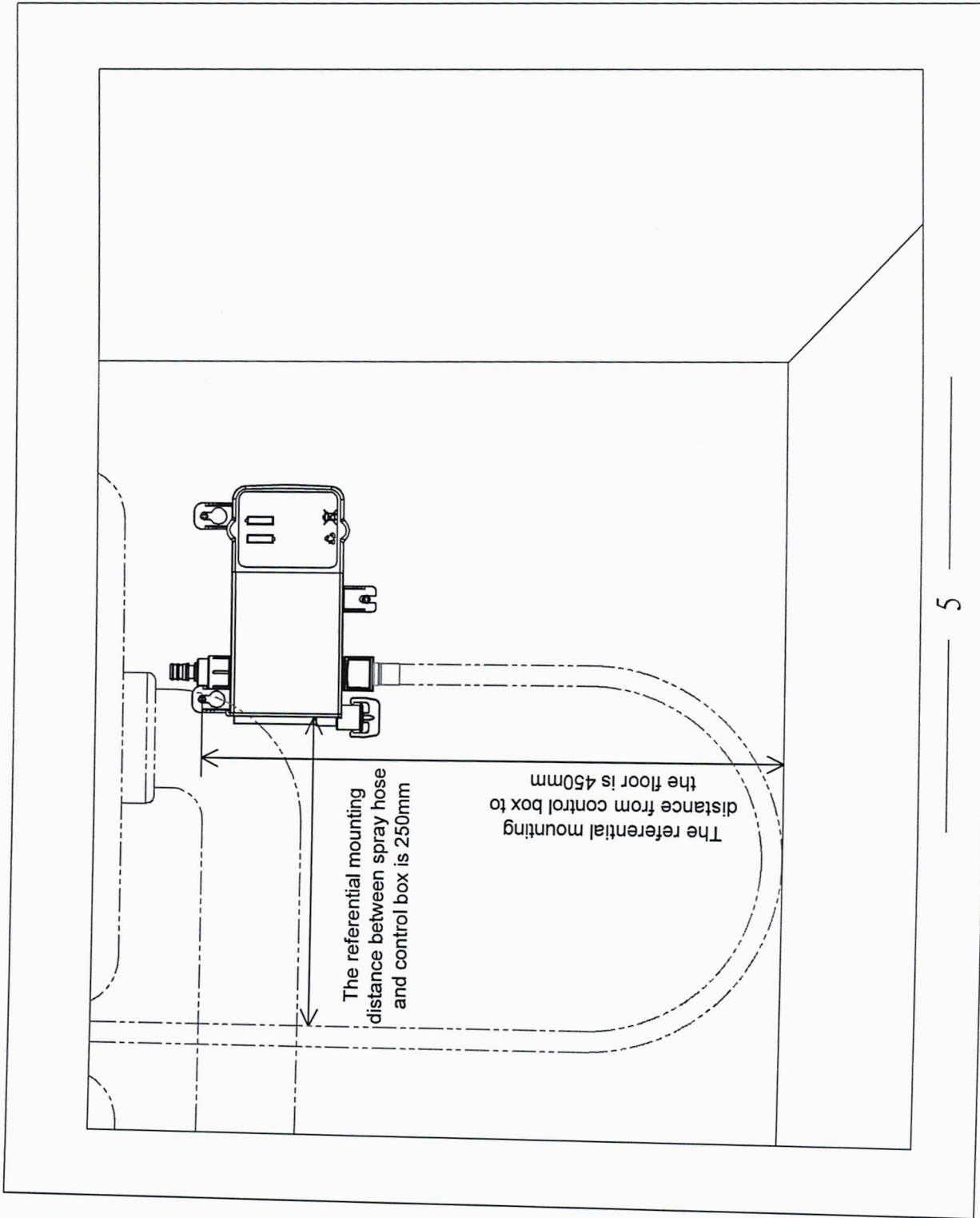
For 3-hole sink, insert deck plate over the cable and hoses in the mounting shank, aligning the grooves in the deck plate with the arches on the faucet bottom, and then mount the faucet on the sink



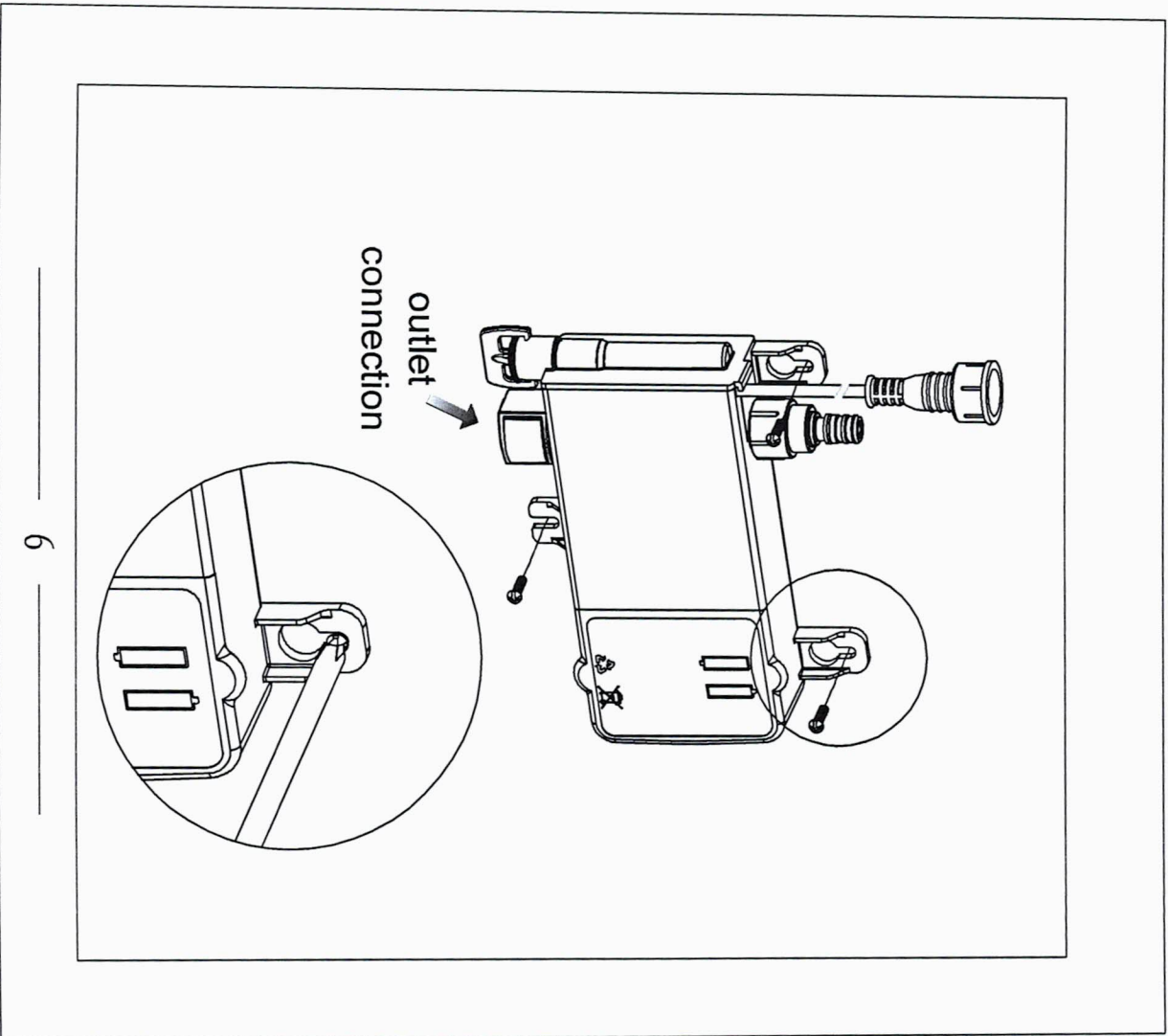
Slide the rubber gasket, the flange gasket and the mounting nut in sequence over the hoses and the data cable onto the shank and hand tighten them firmly.



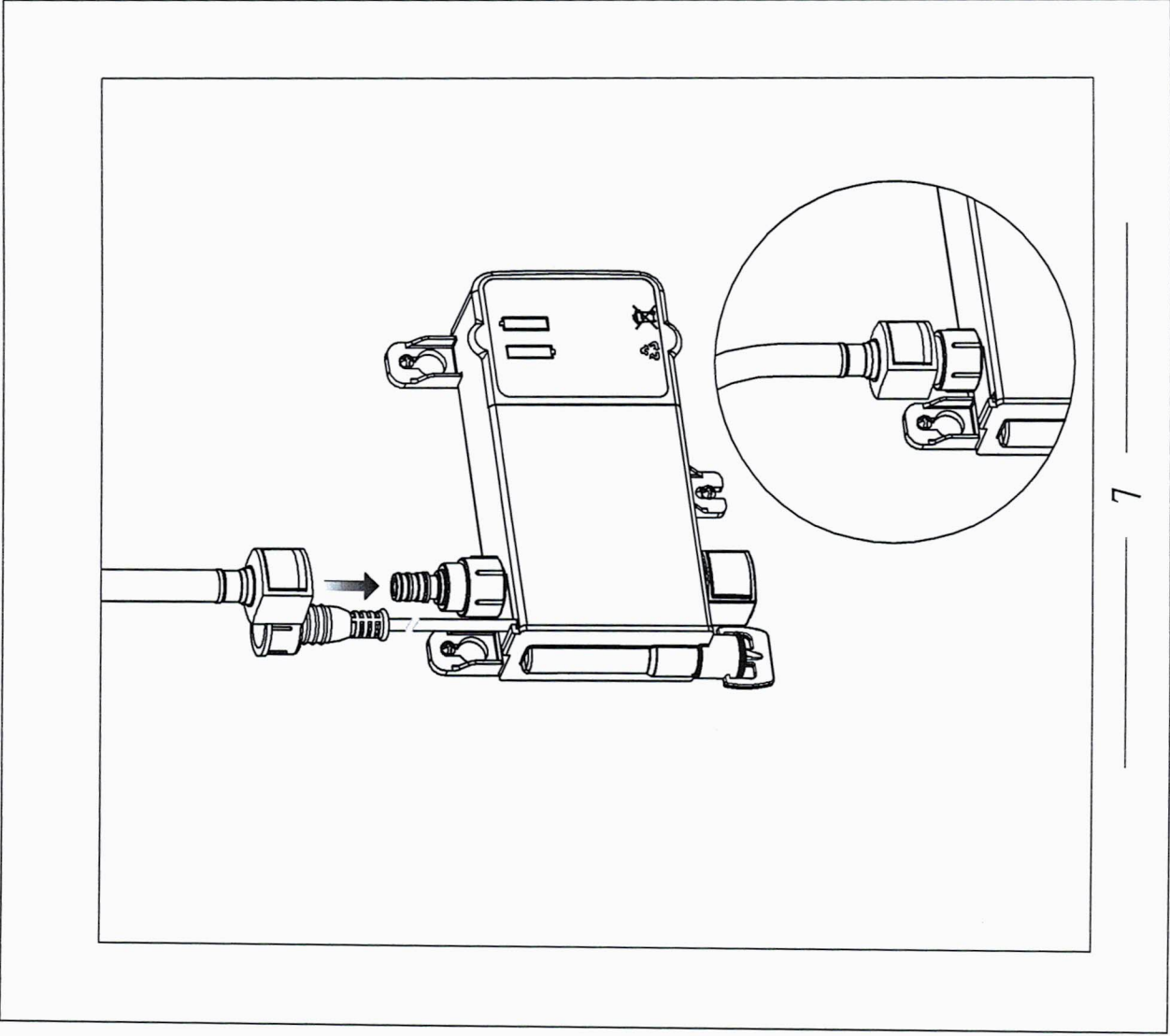
Use a cross screwdriver to thread  
the 2 screws for further security



The dimension shown on the figure is a referential mounting distance for control box (The dimension is adjustable for better performance)

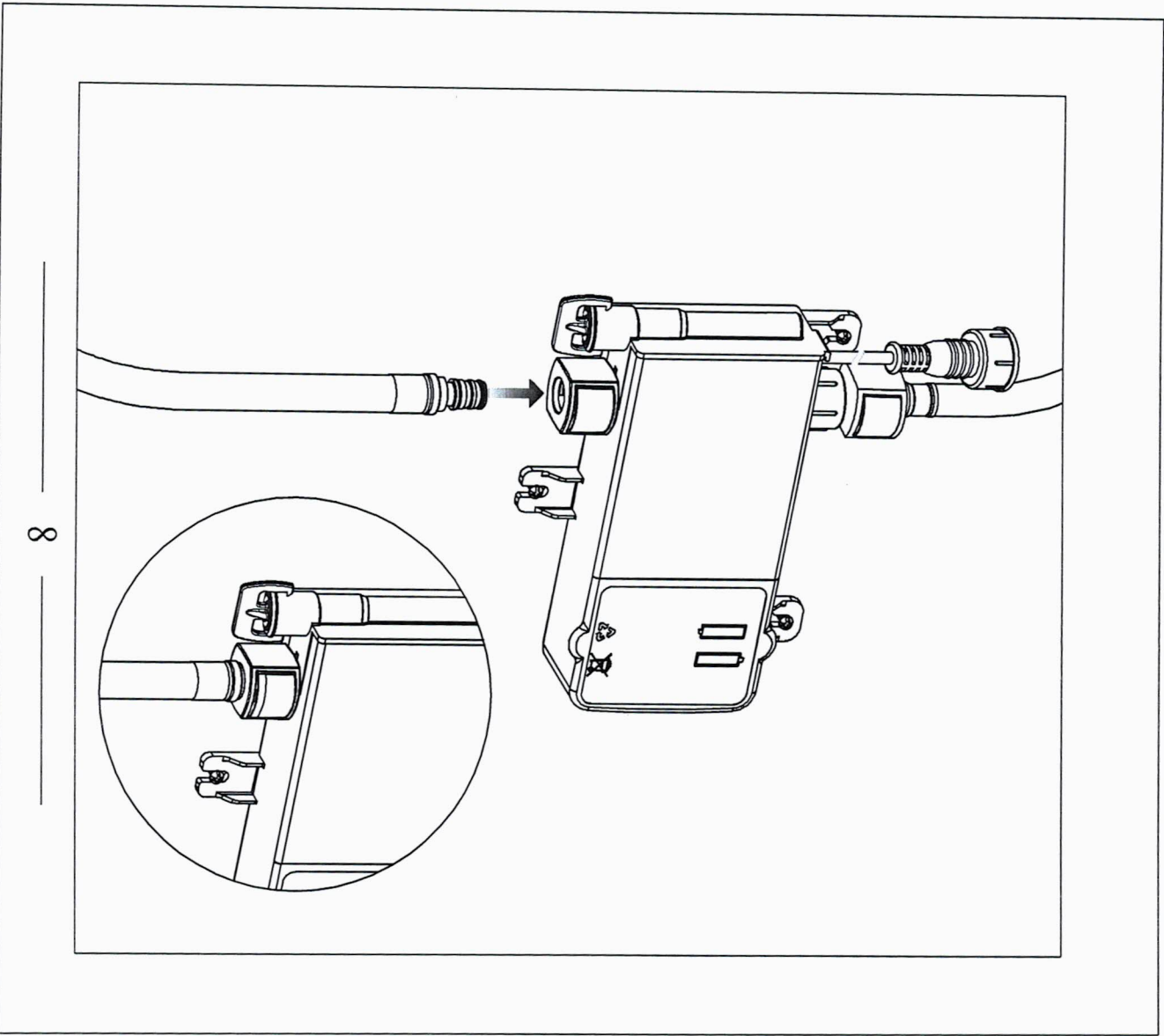


Mount the control box under the sink by a cross screwdriver according to the referential dimension, leaving some adjusting space.



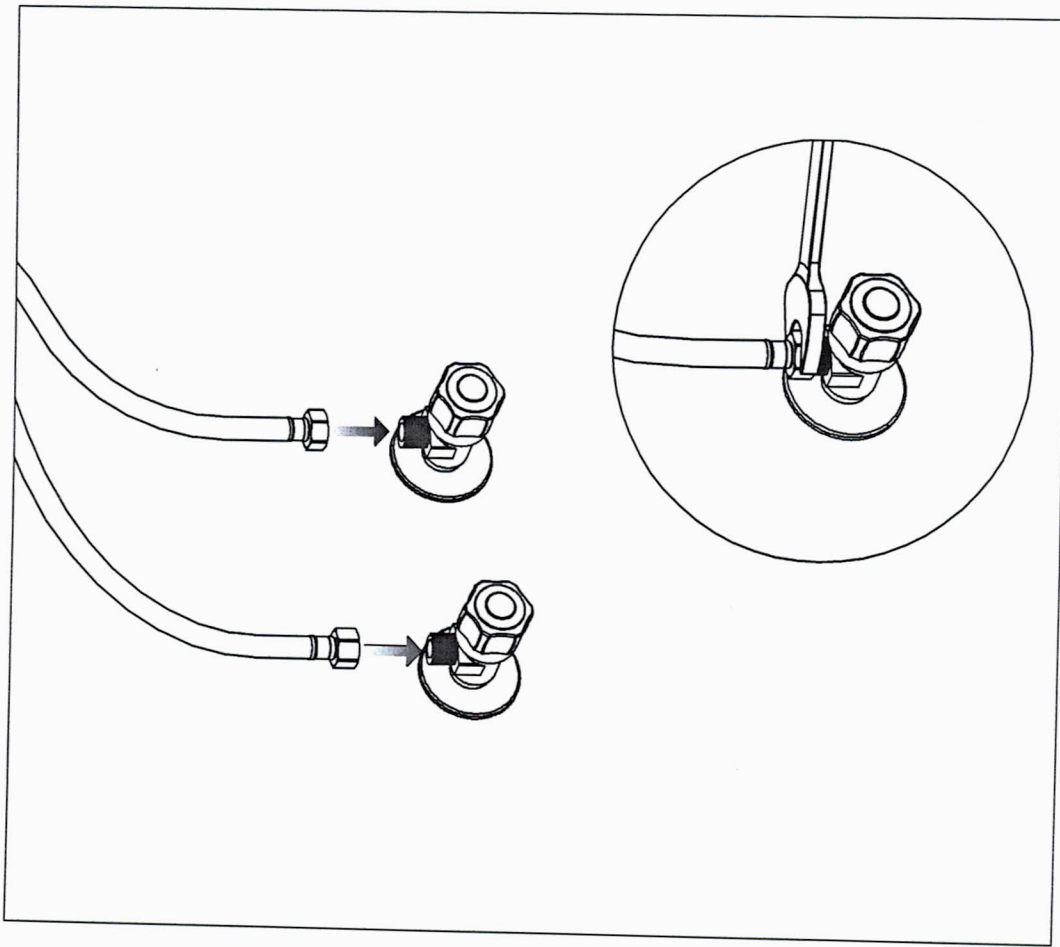
\_\_\_\_\_ 7 \_\_\_\_\_

Connect the outlet hose to the control box with our innovative “quick connection” .

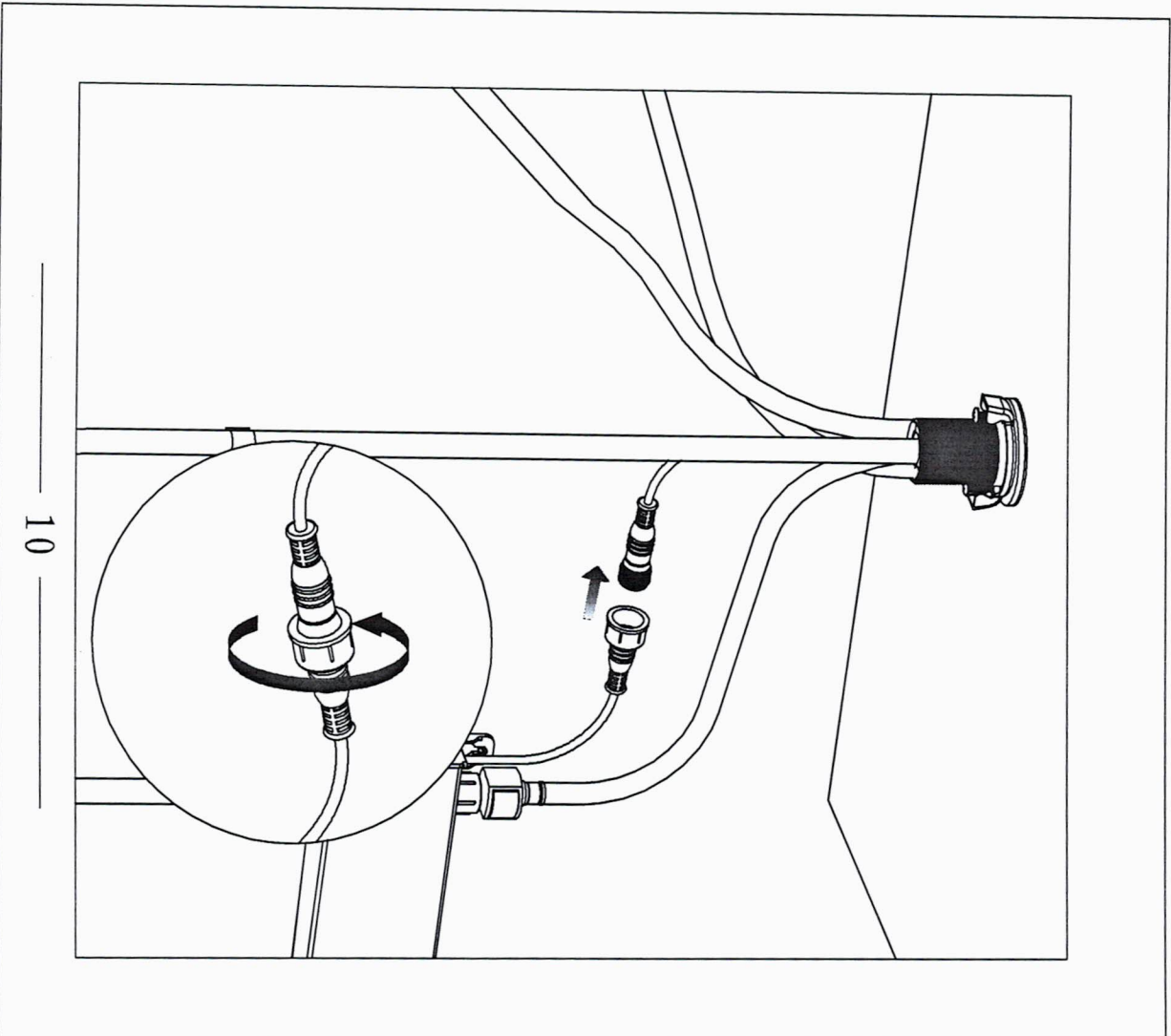


Connect the spray hose to the control box

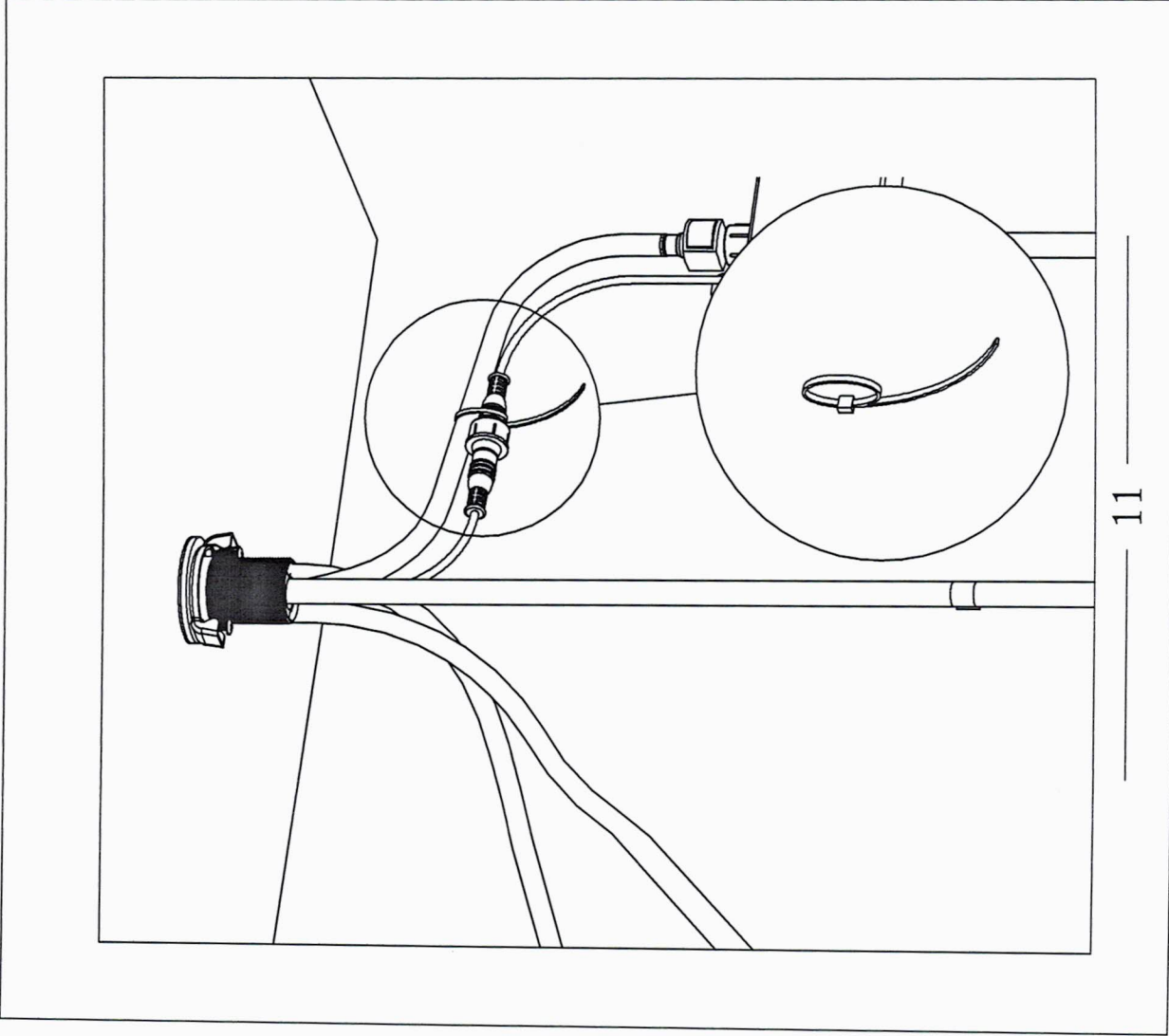




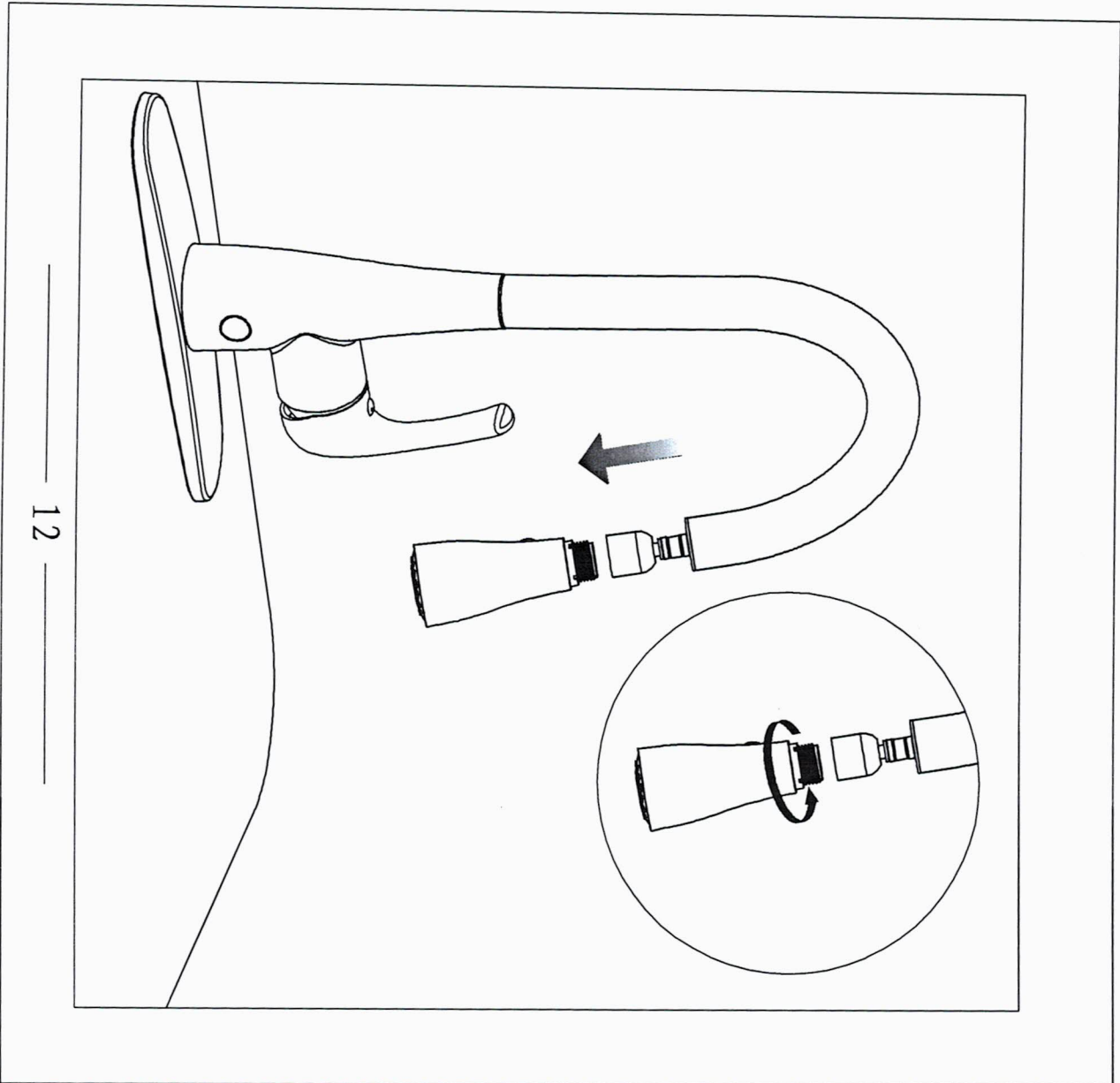
Connect the hot & cold supply lines onto the matching water valves and secure the connection with a adjustable wrench



Connect the data cables and thread them properly with your fingers

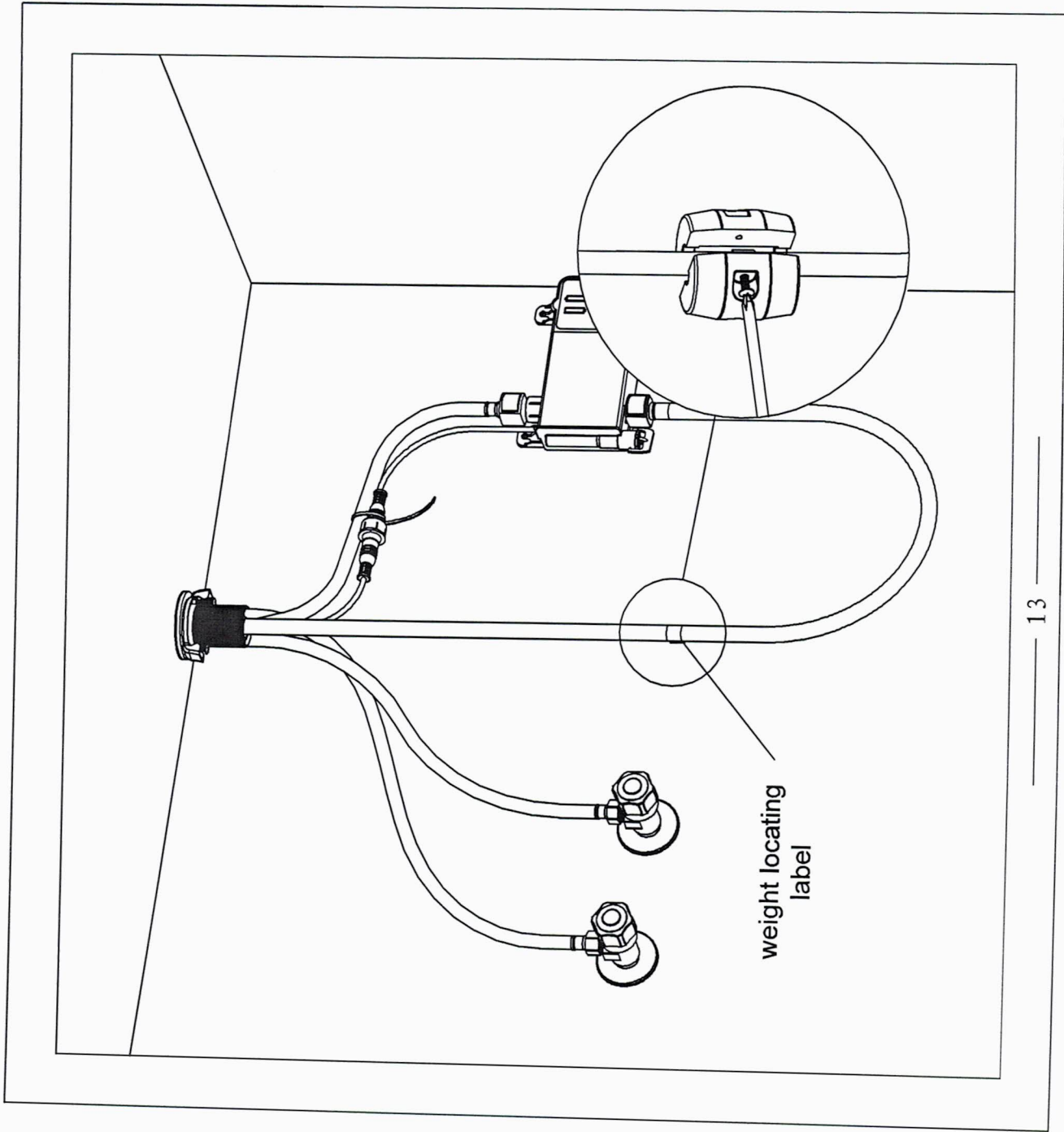


Tie the data cables together with the outlet hose by using a zip tie. Do not include the pulldown hose in the zip tie

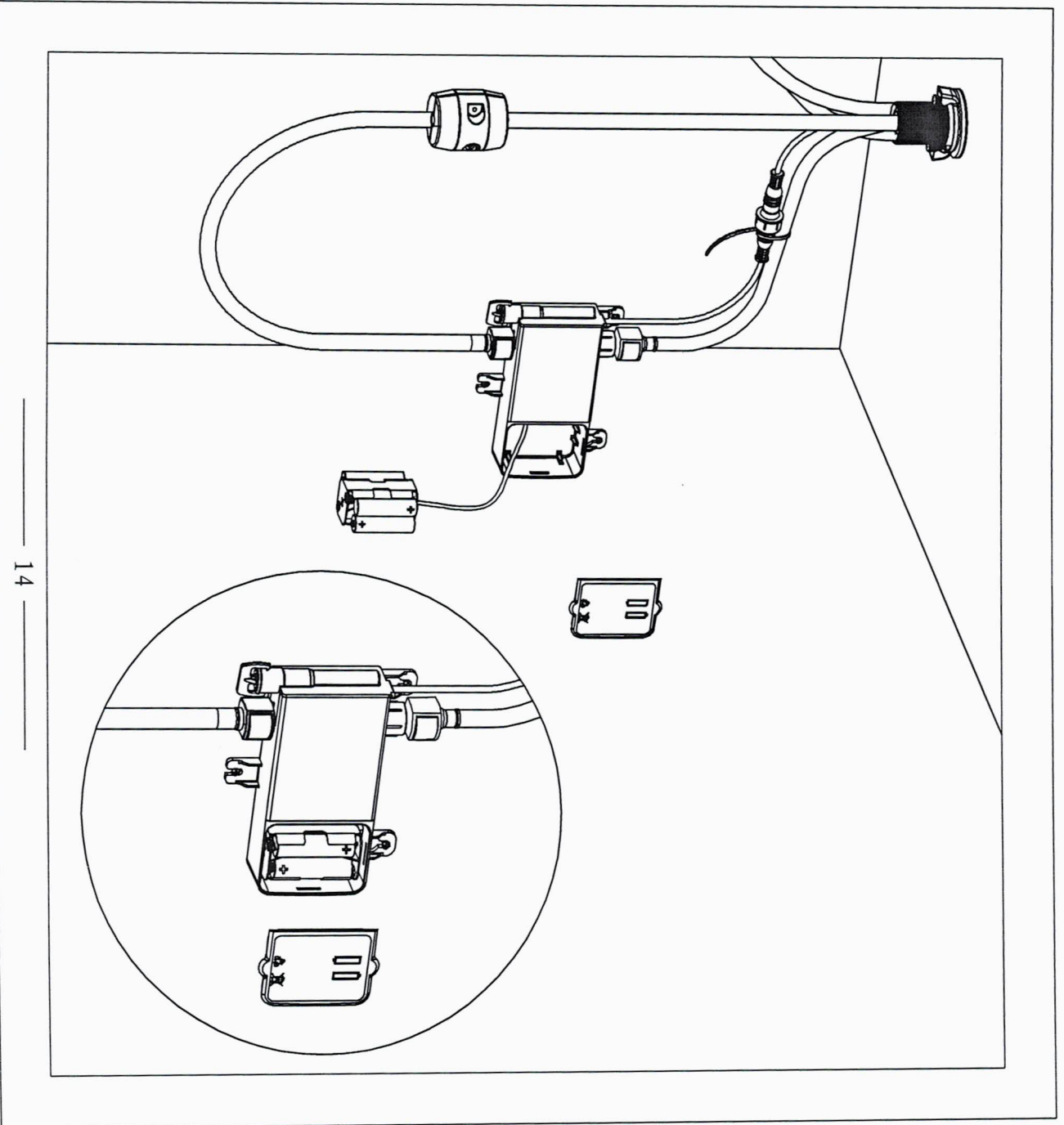


12

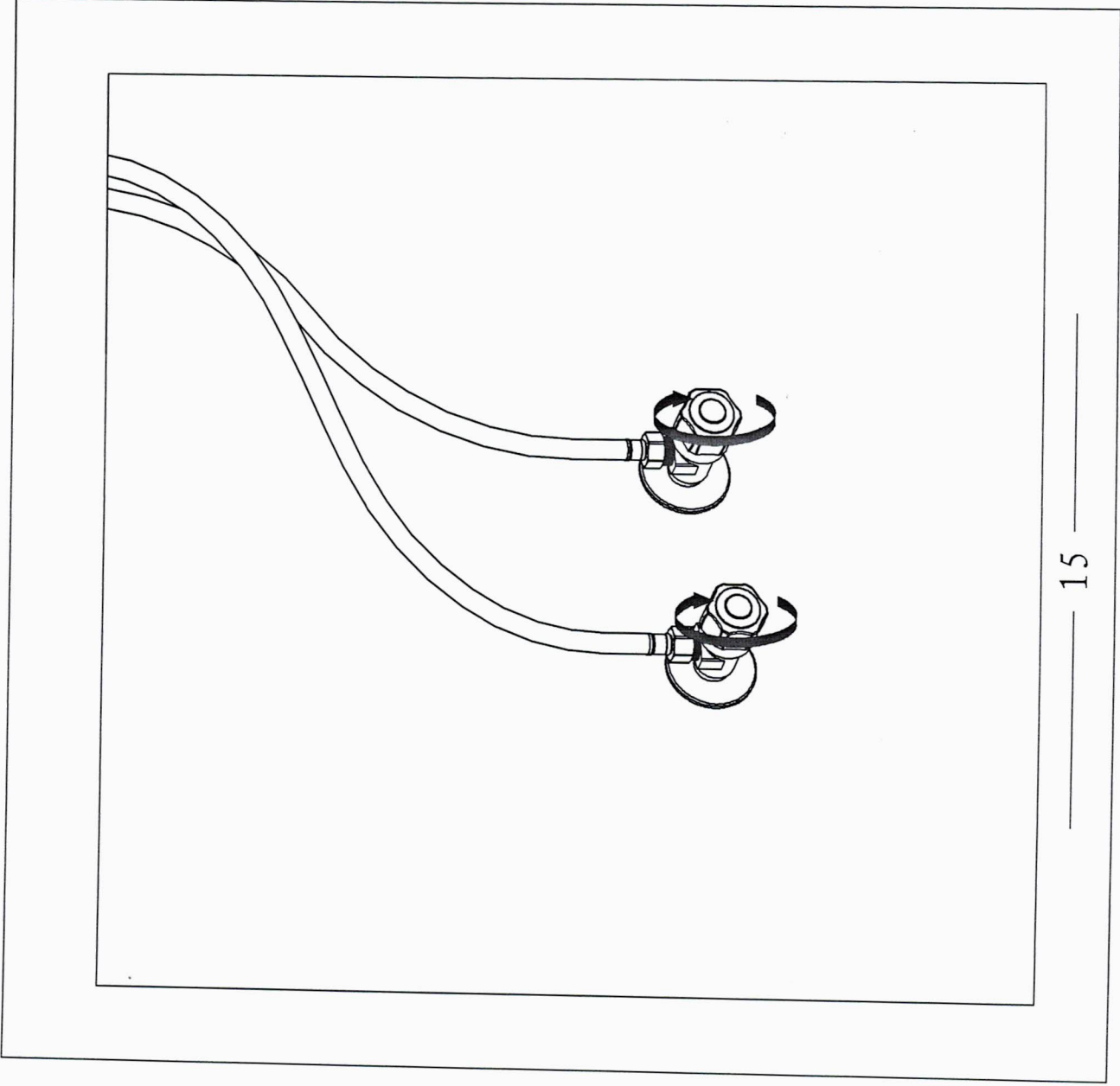
remove the protective cover on the end of the pull-down hose.  
Attach and secure the spray head onto the pull-down hose



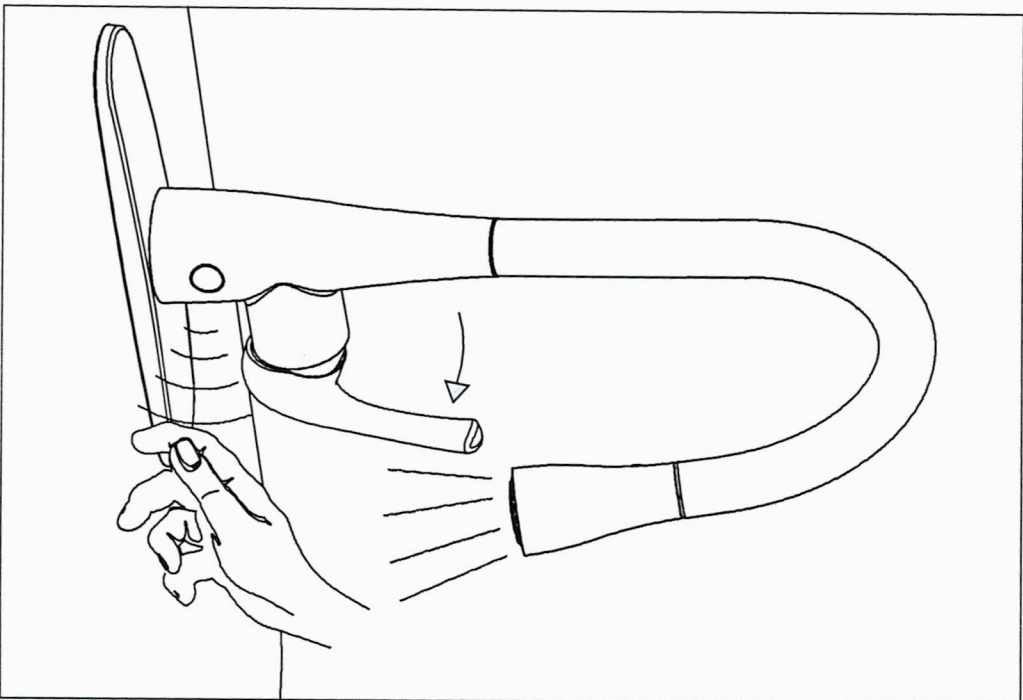
Install the counterweight on the pulldown hose at the marked position ( the weight should be placed between this mark ) , and fix them by a cross screwdriver



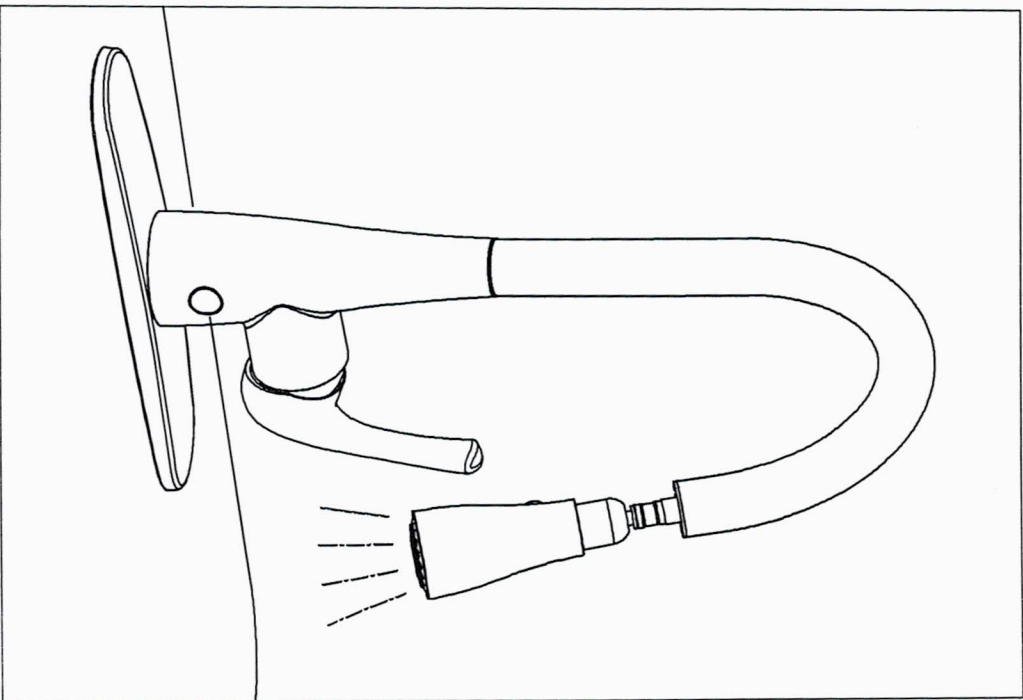
Remove the battery pack cover and take out the battery pack; insert 4 AA batteries. Put the battery pack back in the control box and replace the cover firmly



When installation steps 1-14 are completed, turn the hot & cold water inlets back on



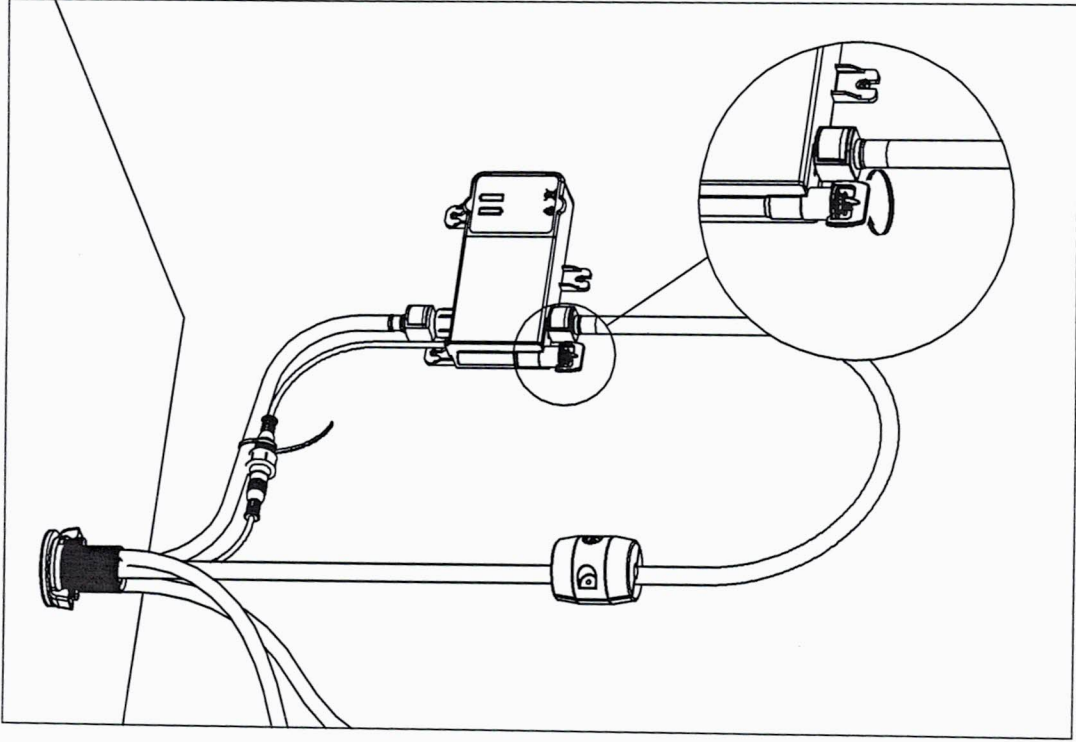
16



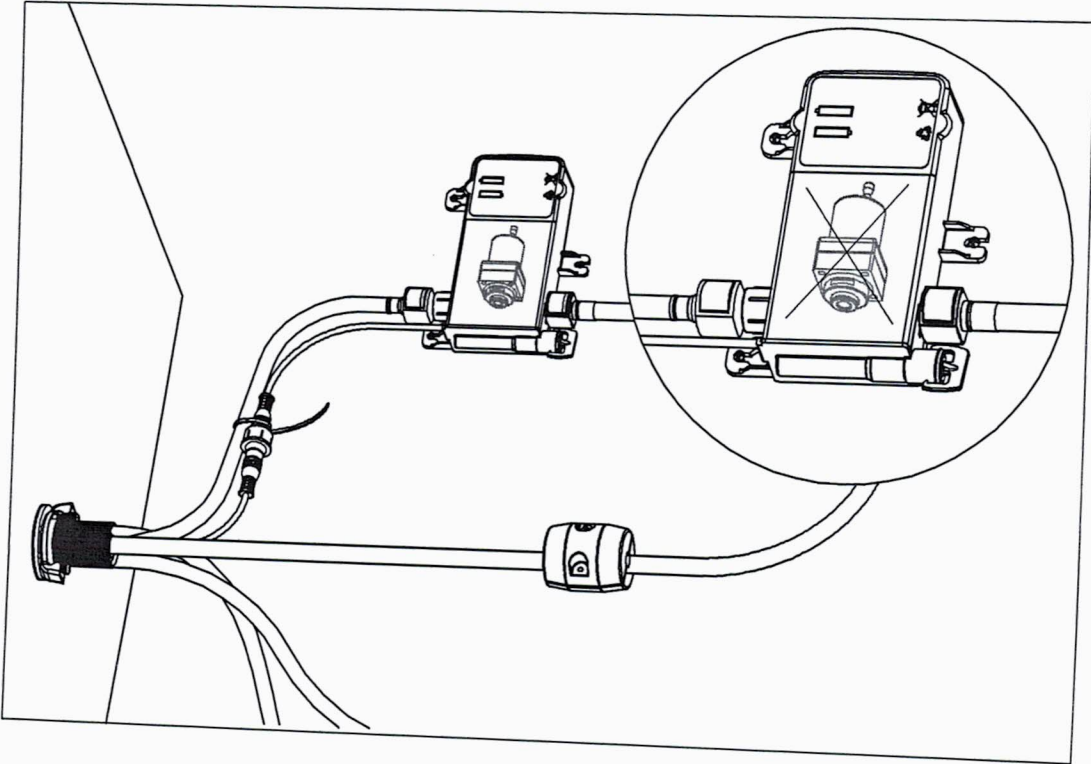
16-1

Turn on the faucet by the handle and wave your hand over the Sensor; the water turns on. The water temperature changes by manipulating the handle. Run the water flow and it will stop automatically in 1 minute. Check for no leaks. Then pull out the spray head (the infrared sensor stops working when the spray head being pulled out in 1 minute (factory setting, can be adjusted), then functions again after time's up). Slide the spray head back in original position, and the water turns off. Repeat the operation several times, and check for no retardation. Then the faucet is good for use.



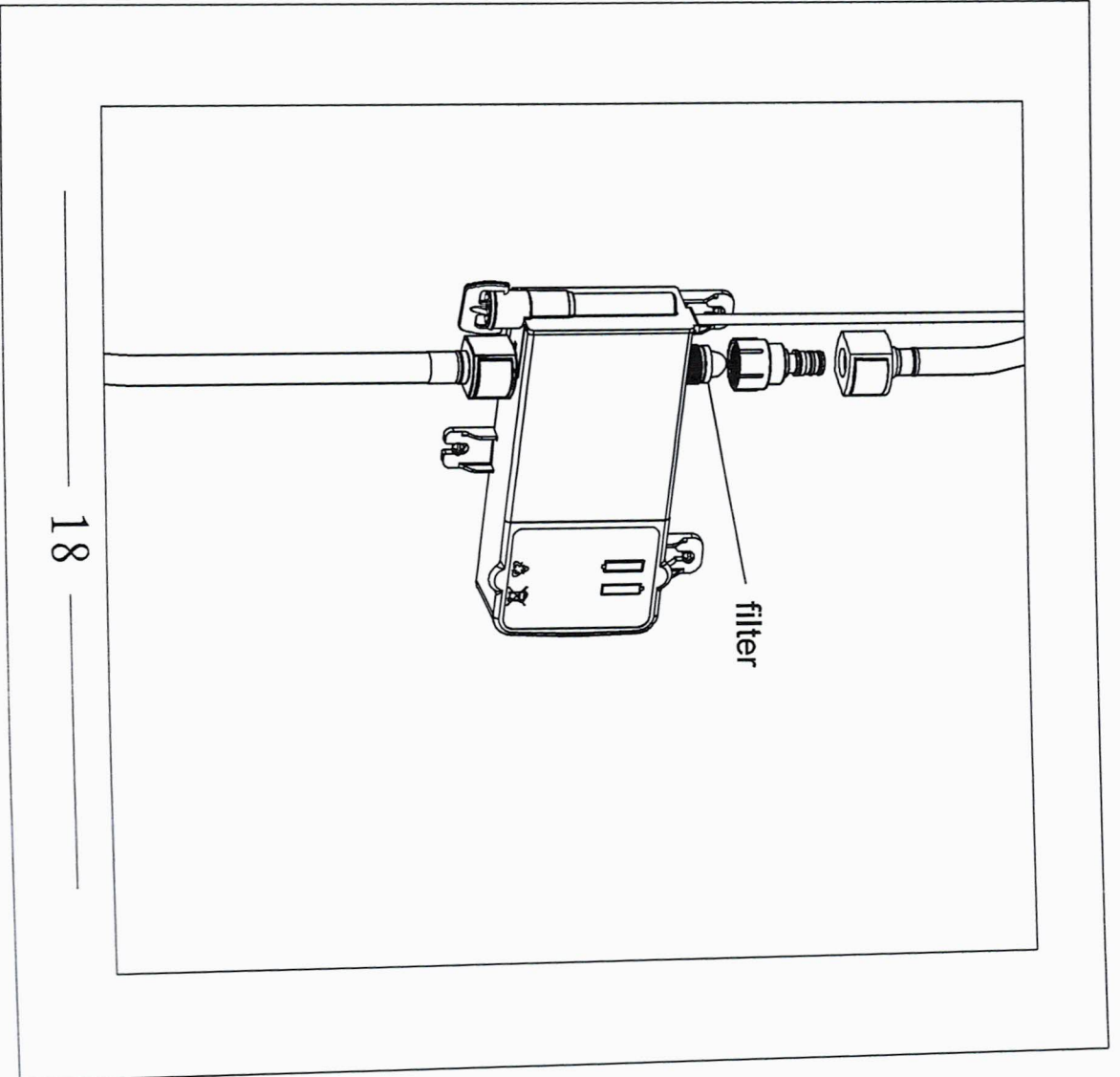


17-1



17

If the control box fails and the Sensor doesn't work, please turn the wrench which is beneath the control box counterclockwise to the end (as shown on figure 17-1). In this situation, the faucet is only manipulated by using the handle.



If the water flow rate is lower than normal level, there may be severe blocking in the filter. In this situation, shut off the water valves and remove the supply hose from the control box; loosen out the inlet "quick connection" and take out the filter; clean the filter up and reassemble them back