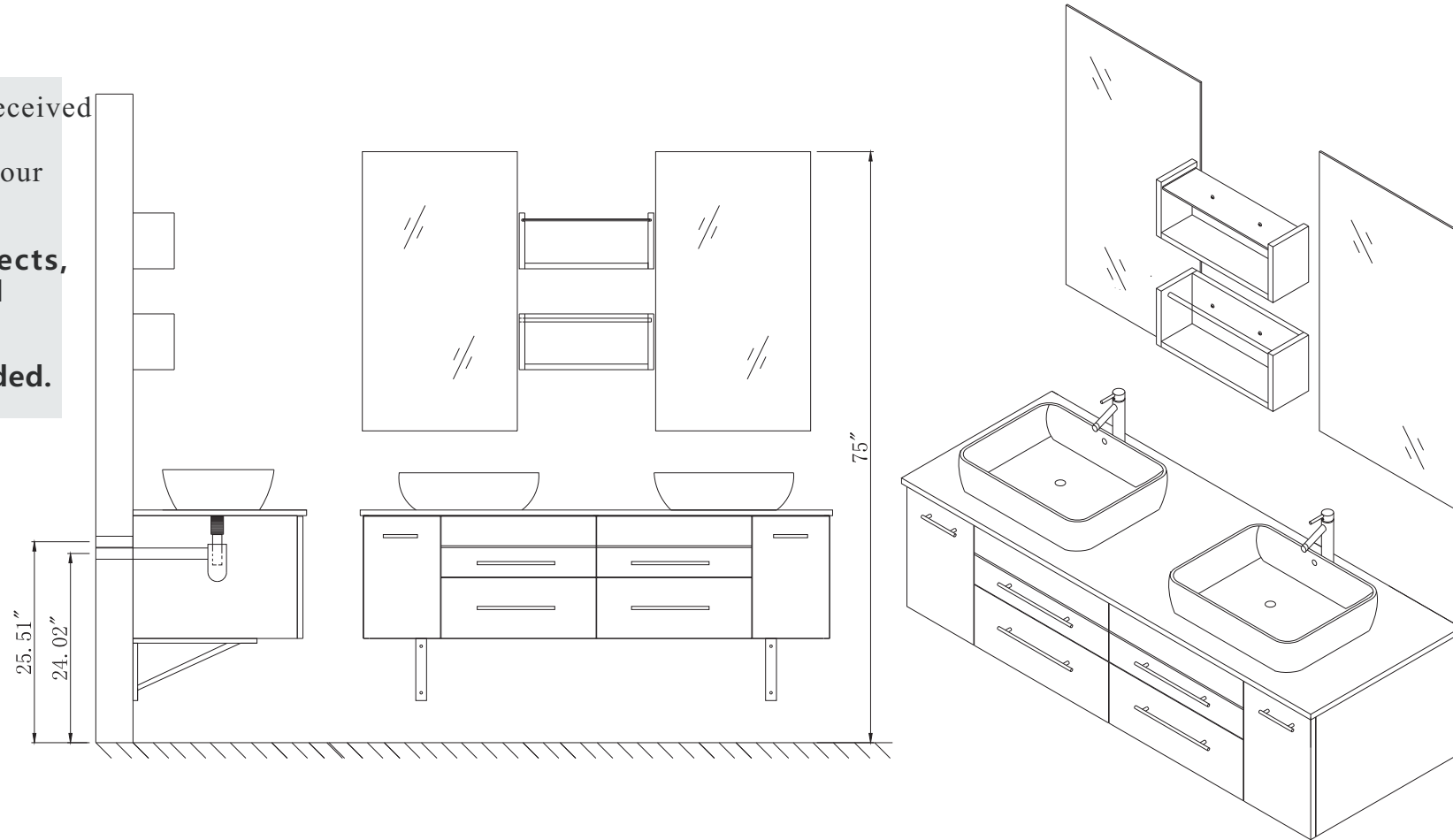
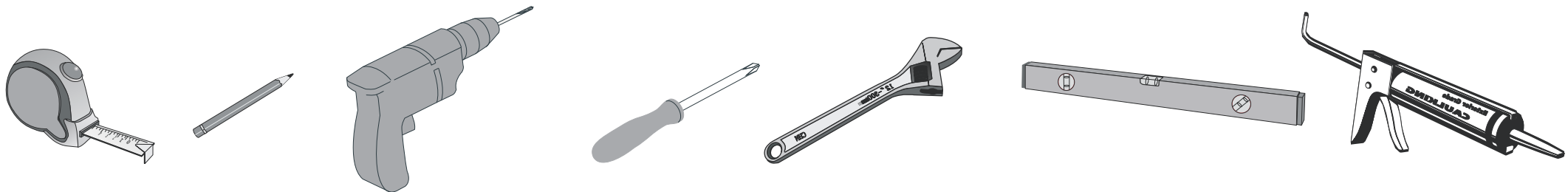


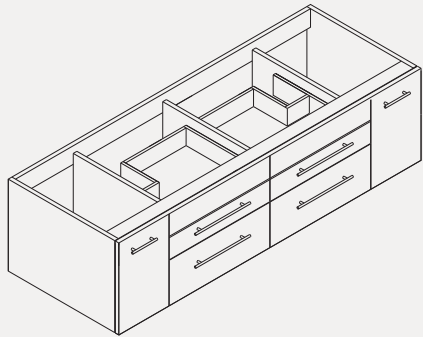
- Prior to **installation** please check received items **against** the **Packing List**
Please report any **missing** items to your local dealer **immediately**.
- Protect all **surfaces** from sharp **objects**, high heat sources, direct **prolonged** sunlight and **chemical hazards**.
- **Professional** installation recommended.



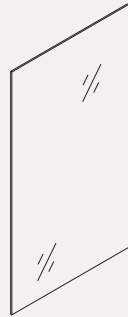
REQUIRED TOOLS



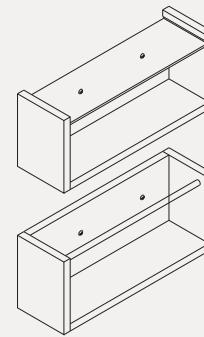
PACKING LIST



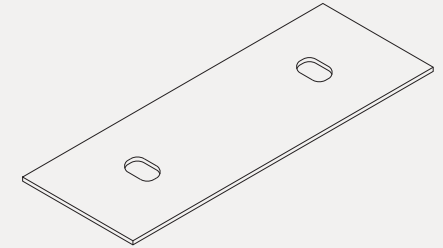
Main cabinet/1



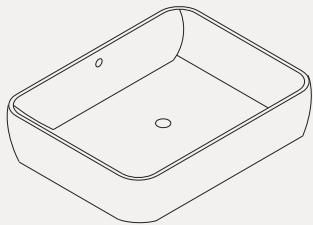
Mirror/2



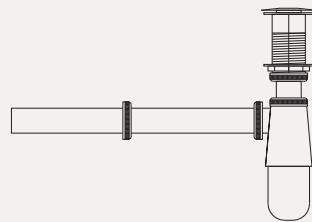
Wooden shelf/3



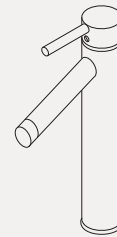
top/4



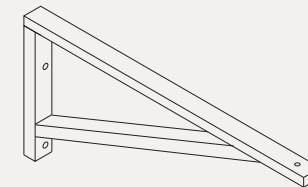
Ceramic basin/5



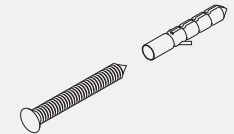
POP UP+Drain pipe/6



FAUCET/7

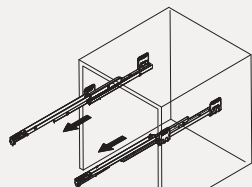


Matal Bracket /8

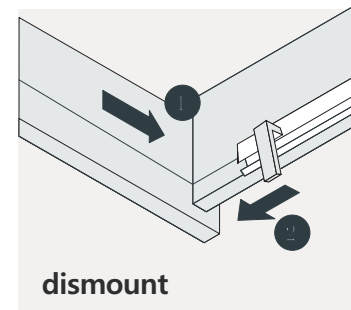
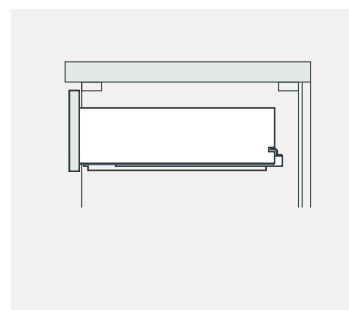
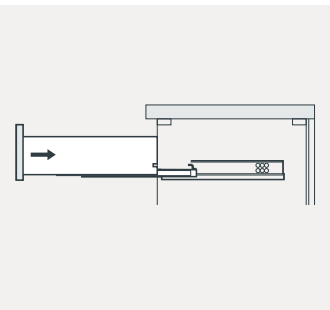


Install screw/9

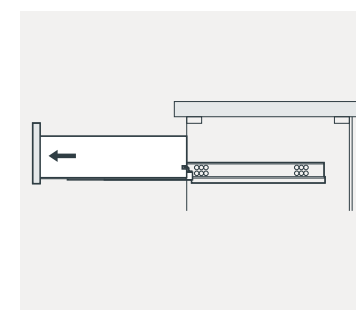
DRAWER SLIDER ATTACHMENT AND DETACHMENT



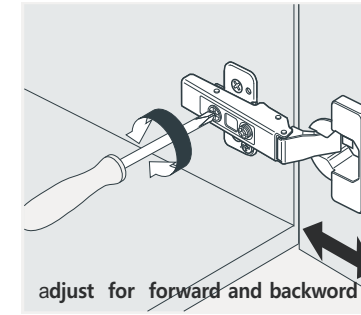
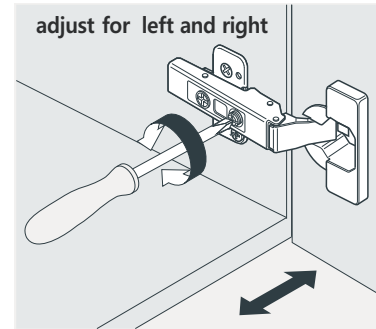
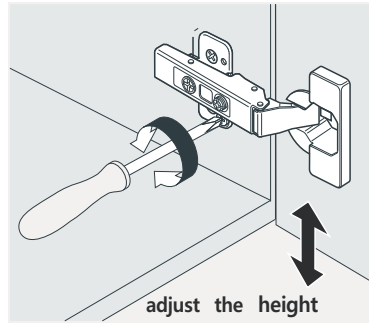
mount



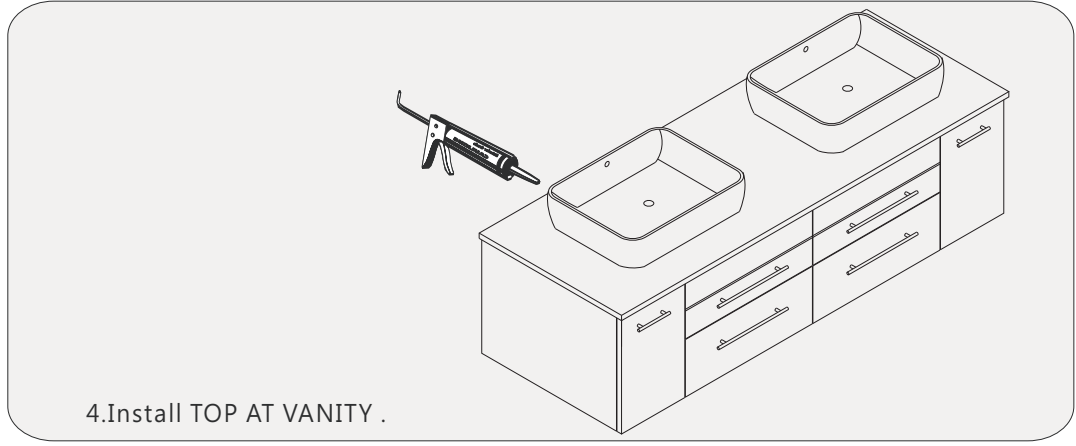
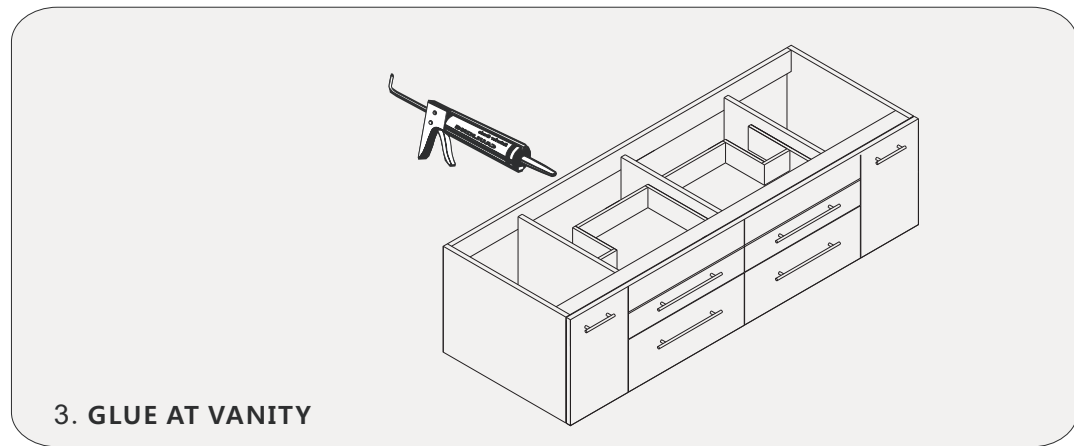
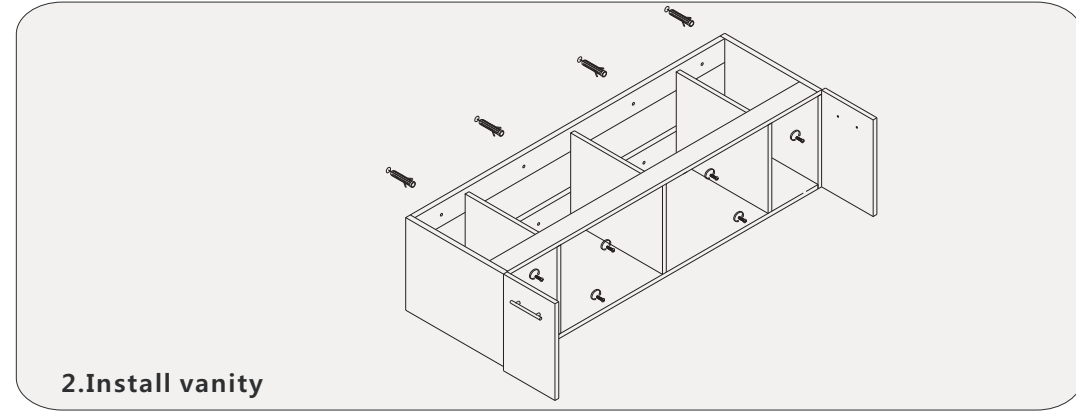
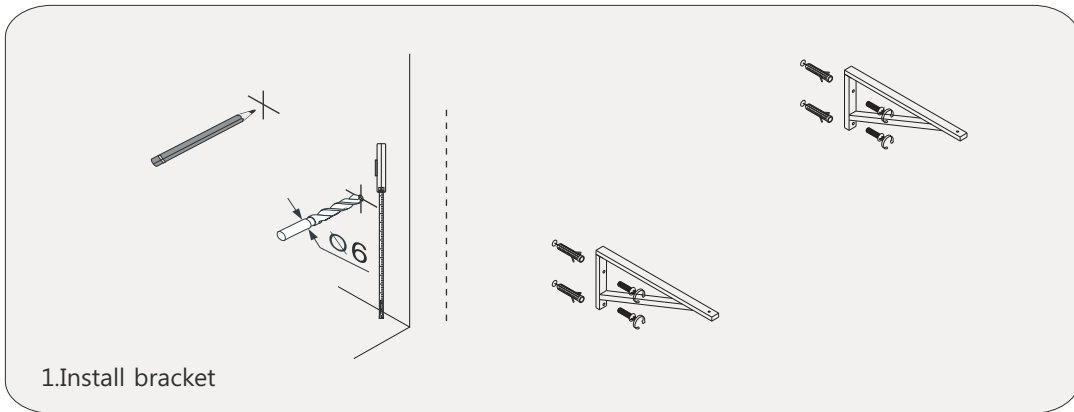
dismount

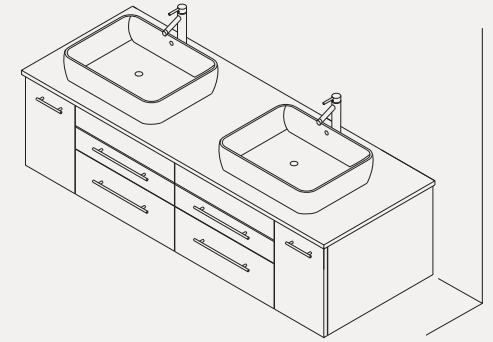
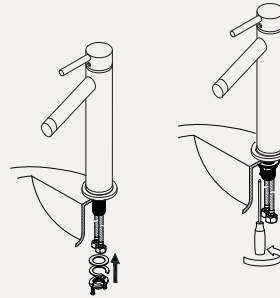
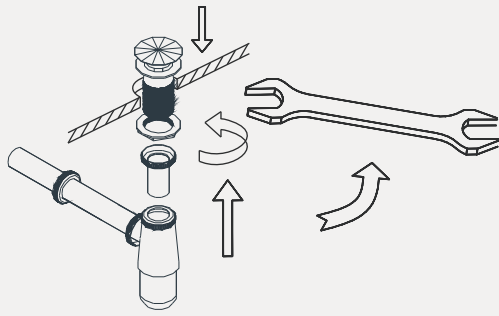


INSTALLATION AND ADJUSTMENT OF HINGES

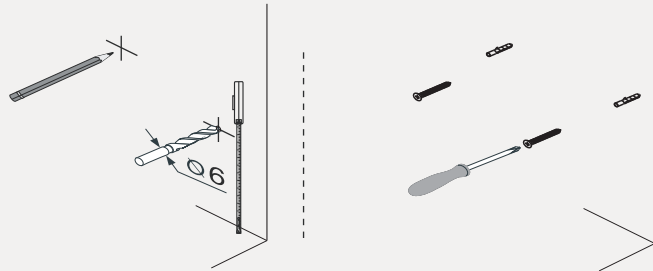


INSTALLATION PROCESS

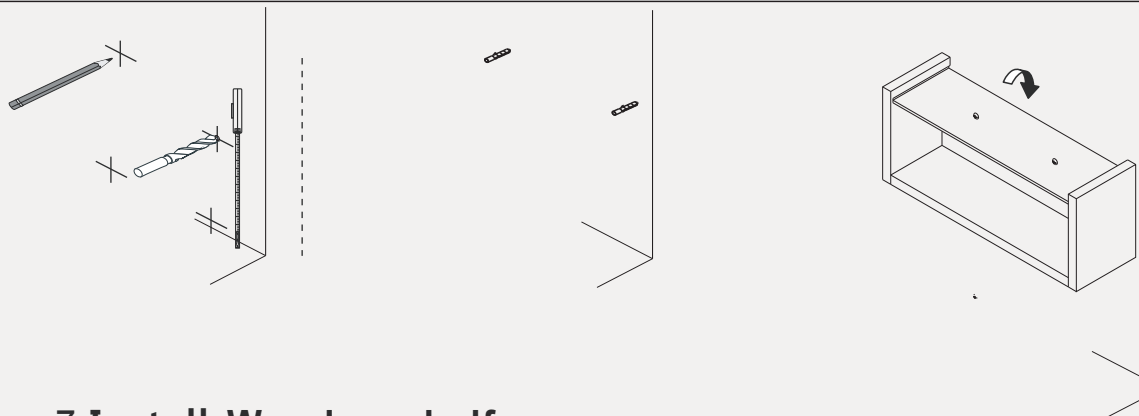




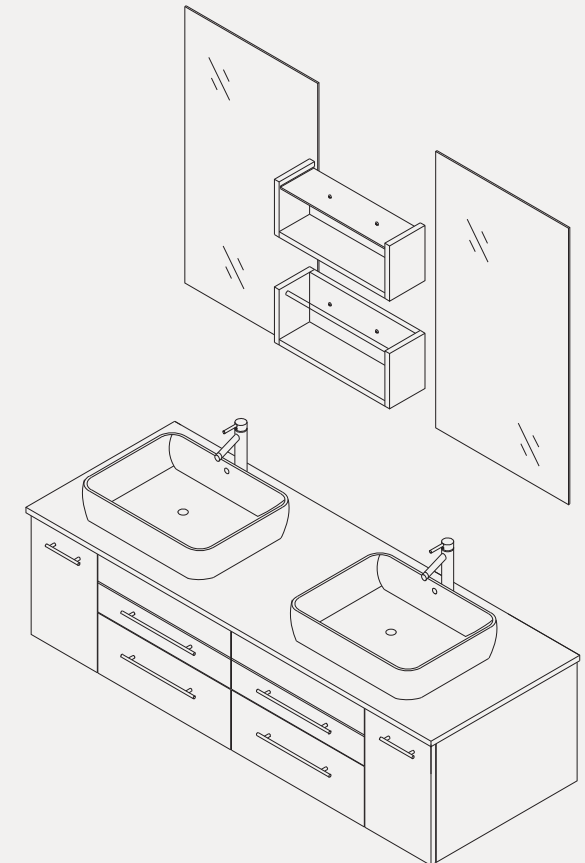
5. Install the pop up and faucet .



6. Install mirror



7: Install Wooden shelf



8. FINISHED FULL SET