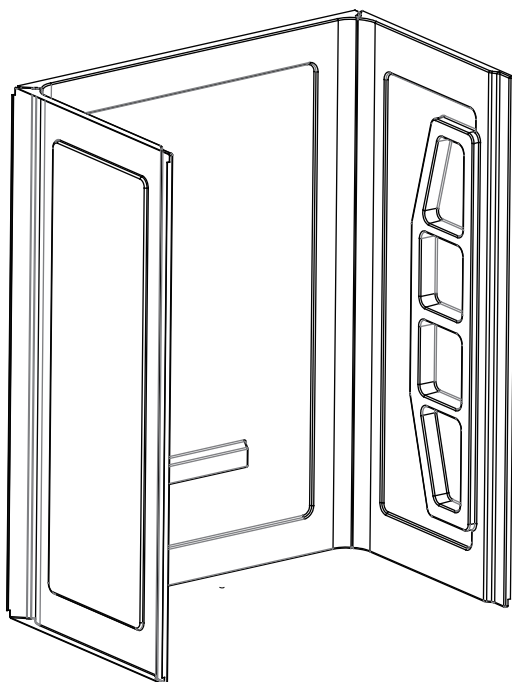


ANZZI™

WALL PANELS INSTALLATION & CARE GUIDE



SW-AZ010WH
SW-AZ011WH

Have questions? Visit us at www.ANZZI.com or call us at 1-844-44-ANZZI.

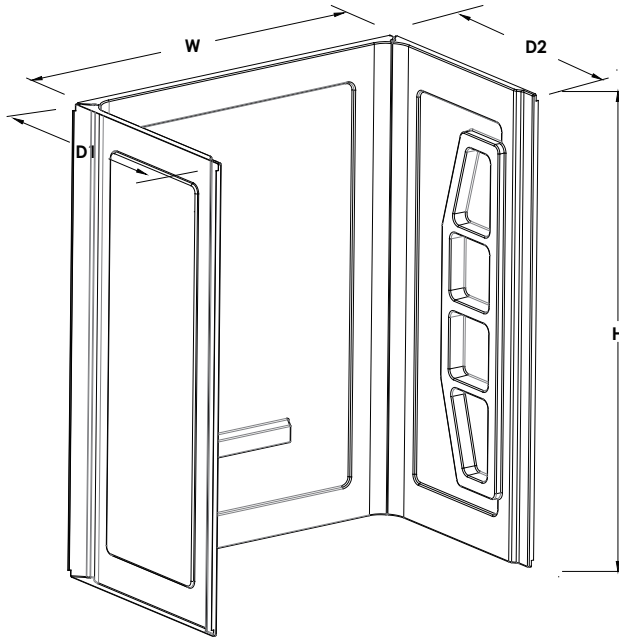
Preparation

1. Prior to installation, examine all boxes and packages for shipping damage and compare the piece count with your packing slip. After opening all boxes and packages, read this introduction carefully. Check that all of the needed parts are included in the package by checking off the components on the "Detailed Diagram of Shower Door Components". If the unit has been damaged, has a finishing defect, or has missing parts, please contact our customer support department within 5 business days of the delivery date. Please note that **we will not replace any damaged products or missing parts free of charge after 10 business days or if the product has been installed.**
2. Install all of the required plumbing and drainage before installing the Wall panels. **Use a competent and licensed (if required by local code) plumber for all plumbing installation.**
3. **Wall panels must be installed by a licensed plumber. Please note that you should consult your local building codes with questions on installation compliance standards. Building and plumbing codes may vary by location, and we are not responsible for code compliance standards for your project.**
4. Please insure that prior to the installation the installation wall is leveled and the stud is strong enough .

IMPORTANT NOTE: Dimensions provided are for reference only. You must measure the actual wall panels sizes before installation, this includes overall dimensions and stud / drywall / shower base sizes.

WALL PANELS SIZE

MODEL	SPECIFICATION	D1(in)	D2(in)	W(in)	H(in)
SW-AZ010WH	36"X60"X36"X74"	36"	36"	60"	74"
SW-AZ011WH	36"X48"X36"X74"	36"	36"	48"	74"



Wall Panels Installation-Preparation

1. Install the 2 wall panels and seal strip together. Secure the 2 walls with wing nut kit. add silicone at the junction of the 2 wall panels.

See Fig. 1 for details

2. Place the wall panels on the base ,drill holes through the bottom of the wall into the base with a DIM 1/8'' (3mm) drill bit and secure with screw.

See Fig. 2 for details

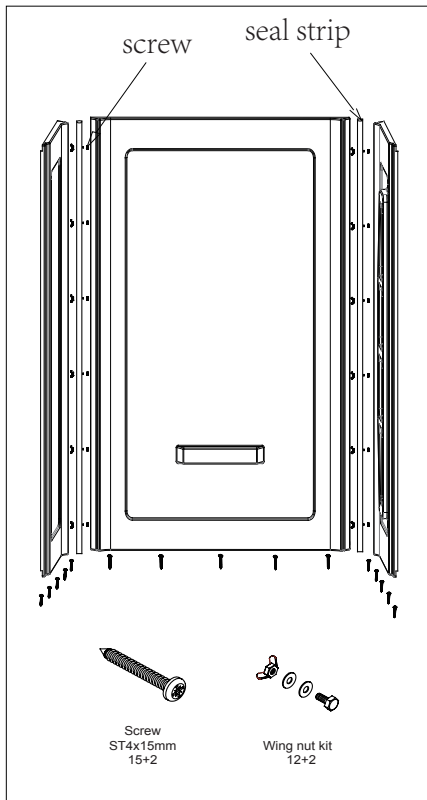


Fig. 1

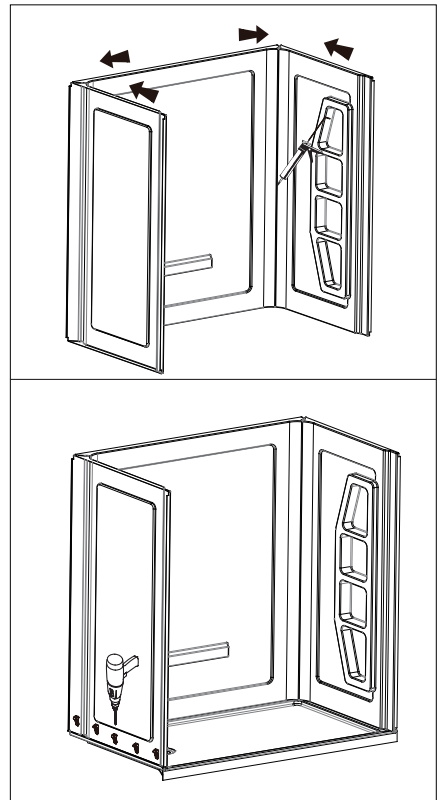


Fig. 2

3. Make sure the studs and drywall size is fix the wall panels.

See Fig. 3 for details

4. Place the wall panels and the base on the wall and level it.

See Fig. 4 for details

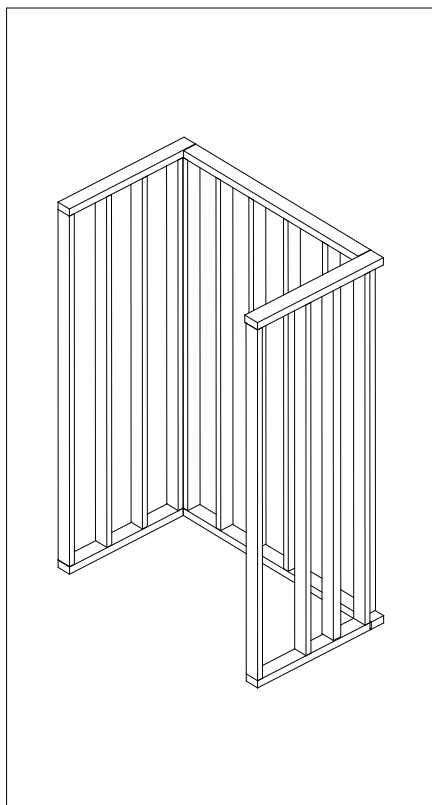


Fig. 3

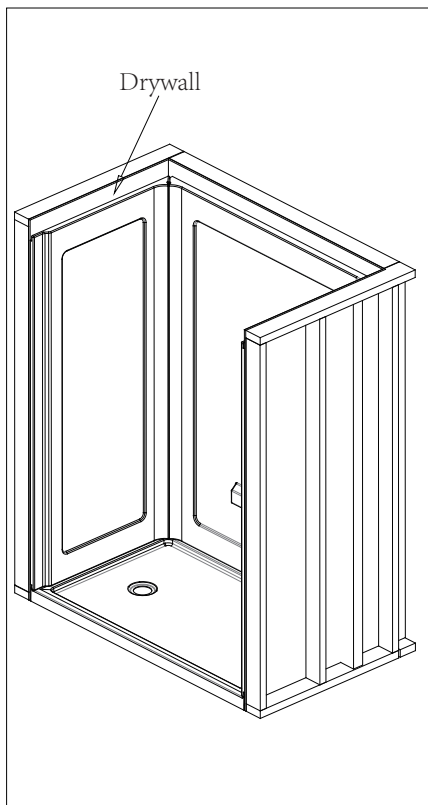


Fig. 4

5. Refer to the section for finished install .

See Fig. 5 for details

6. Use silicone to fill the gap between wall panels and base.

See Fig. 6 for details

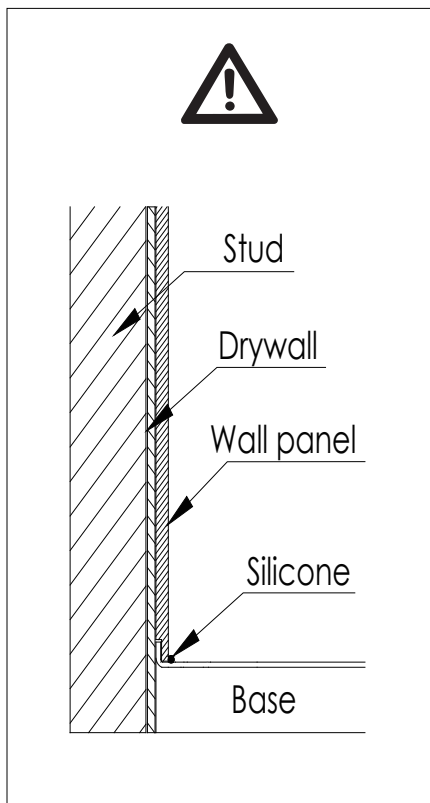


Fig. 5

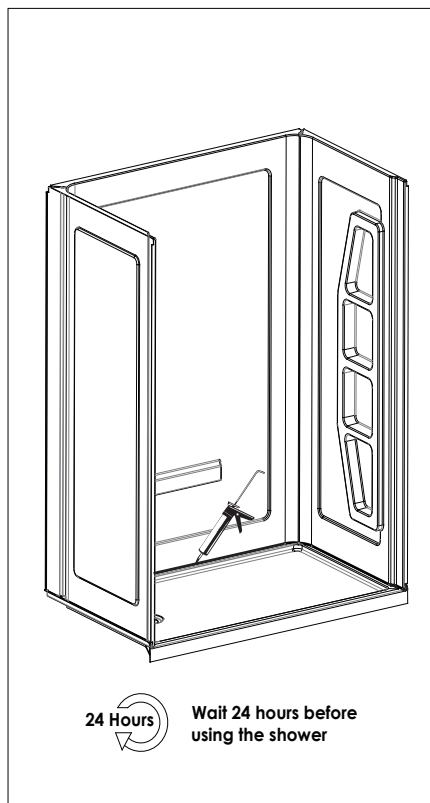


Fig. 6