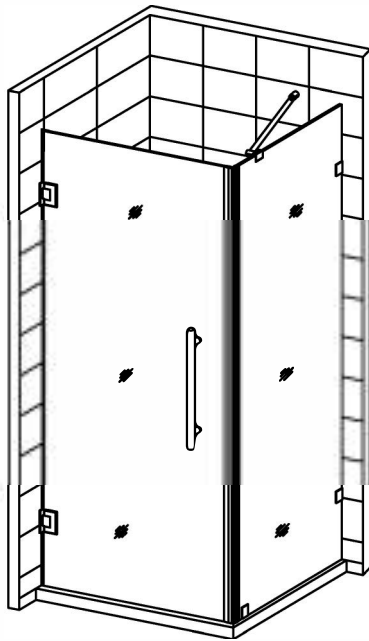




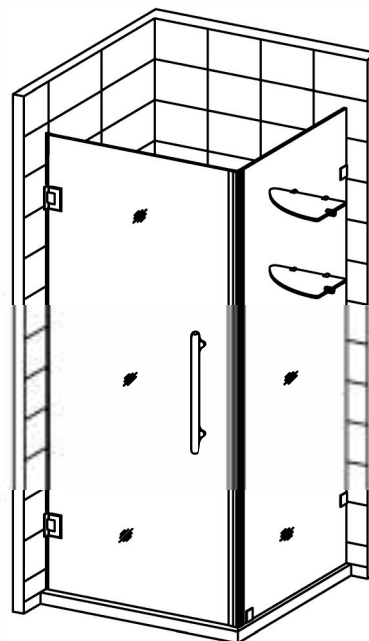
INSTALLATION AND OWNER'S MANUAL

Please select your shower enclosure model, or shower enclosure style from the selection below for easy installation.

ATTENTION: This door is extremely heavy and the hinges on this door must be attached to the studs or to preinstalled 2 X 6 wood reinforcement behind the wall.



Style A - AQUADICA (SEN988)



Style B - AQUADICA GS (SEN993)

Please carefully read these instructions before you begin to install the products.

IMPORTANT:

ASTON reserves the right to alter, modify or redesign products at any time without prior notice. For the latest up-to-date technical drawings, manuals or any other details, please refer to www.astonbath.com

05/16 Rev C

Before you start

Thank you for purchasing your Aston shower door. We hope that it will provide you with years of satisfying use and enjoyment.

Please read this manual carefully because it contains information and instructions about the proper installation of the unit. If you do not follow certain conditions of installation and maintenance, your warranty may be affected.

1. Inspect boxes for shipping damage. If the product has been damaged, is missing parts, or has a finishing defect, please contact our customer support department within 5 business days of delivery date.
2. NOTE: You should consult your local building codes with questions on installation compliance standards. Plumbing and building codes vary by location.
3. Before installation, inspect installation surfaces or level and have to the strength to support the heavy weight of this shower door assembly. This Shower door should only be installed using the connection point to the studs or to pre-installed 2x6 wood reinforcements behind the wall.
4. This Shower Door assembly is very heavy and requires professional installation.

Aston Shower door's feature:

- Tempered Safety Glass
- High quality hardware

WARNING: The Aston Shower door is designed to be used with tiled walls. If you are using a pre-made Acrylic/ABS/FRP shower stall that will be thicker than average plus tile, then you must consider the offset of the pre-made panel thickness. If applicable, the shower tray has 1/4" of tolerance for the oversized wall thickness.

Certifications:

All Aston Shower doors are 3rd party tested to meet the following US, Canadian and International Standards:

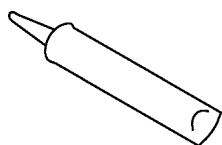
- CPSC 16 CFR1201 II / ANSI Z97.1 - 2009 Class A
- CSA B45 Series - 02

Installation Guide

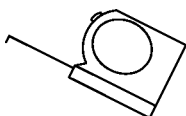
Please read and follow the installation instructions and guidelines in this section. Failure to follow the recommended instructions and installation techniques may lead to possible damage to the unit or the surrounding area. This can affect warranty claims.

ATTENTION: This unit requires assembly. A minimum of two people are required for assembly, as several of the sections can be large and unstable until assembled.

You will need the following tools:



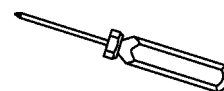
Caulk



Tape Measure



Pencil



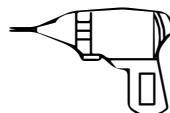
Phillips Screwdriver



Caulk Gun



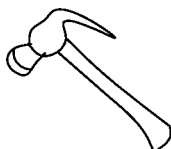
Level



Electric Drill



Drill bit ($\varnothing 5/16"$)



Hammer

Locate the accessory box and remove the individual screw and hardware packages. Lay them out in sequential order to aid in completing the rest of the installation.

Detailed Diagrams of Shower Enclosure Components

Diagram A

Shower Door

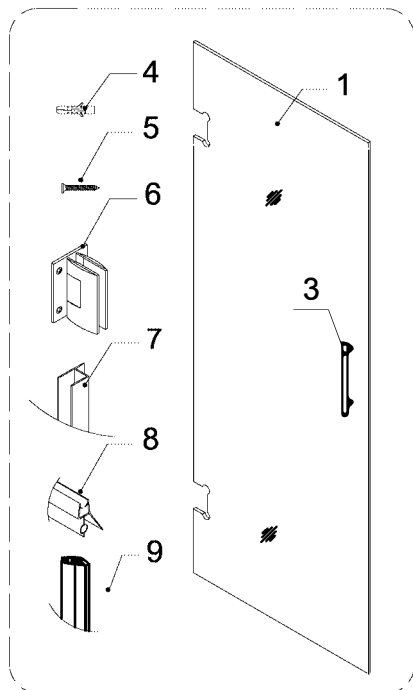


Diagram B

Stationary Glass Panel with Top Brace

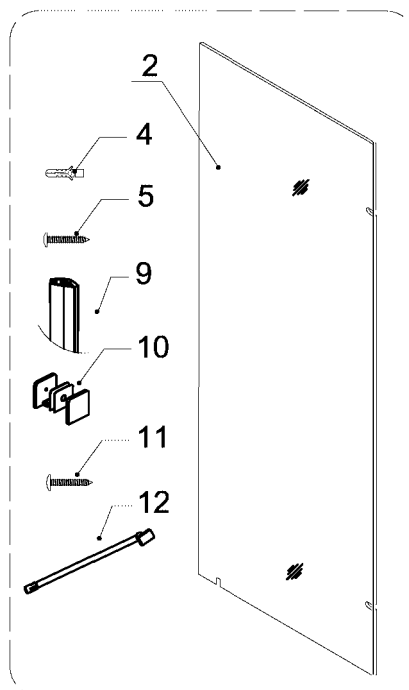


Diagram C

Stationary Glass Panel with Glass Shelves

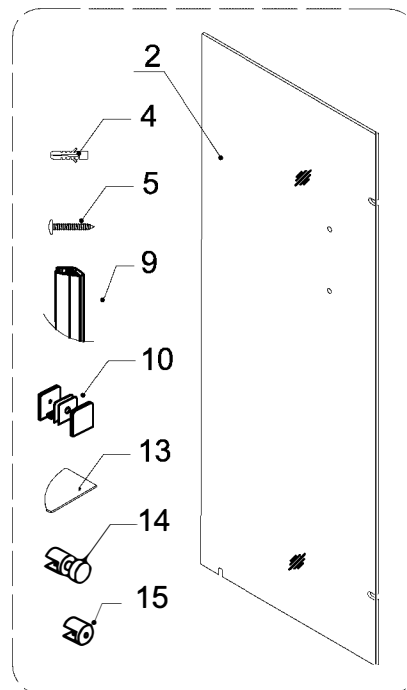


Diagram A

01	Glass door	1pc	06	Hinge	2pcs
03	Handle	1pc	07	Side strip (3 sections to cut)	1pc
04	Wall anchor	8pcs	08	Bottom anti-water strip	1pc
05	M5 X 60 screw	8pcs	09	Magnetic strip	1pc

Diagram B

02	Stationary glass panel	1pc	10	Glass clamp	3pcs
04	Wall anchor	4pcs	11	M5 X60 screw	1pc
05	M4 X 60 screw	3pcs	12	Support bar	1pc
09	Magnetic Strip	1pc			

Diagram C

02	Stationary glass panel	1pc	10	Glass clamp	3pcs
04	Wall anchor	7pcs	13	Glass shelf	2pcs
05	M4 X 60 screw	7pcs	14	Shelf Bracket (with nut)	2pcs
09	Magnetic Strip	1pc	15	Shelf Bracket (without nut)	4pcs

PLEASE NOTE: During unpacking carefully inspect all parts and identify all parts using detailed diagram in your manual as a reference. Before discarding the packaging check for any parts or small hardware bags that may have been overlooked.

STYLE A

Shower enclosure with 30"-38" stationary glass and support bar

Diagram A and Diagram B must be used for assembly

Pages: 5-7, 8-11

STYLE B

Shower enclosure with 30"-38" Stationary glass with glass shelves

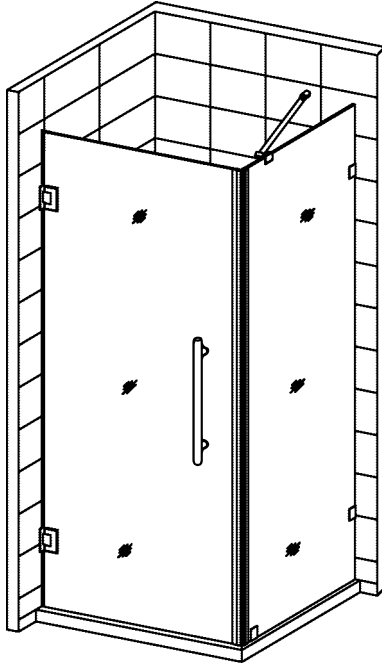
Diagram A and Diagram C must be used for assembly

Pages: 5-7, 8-10, 12

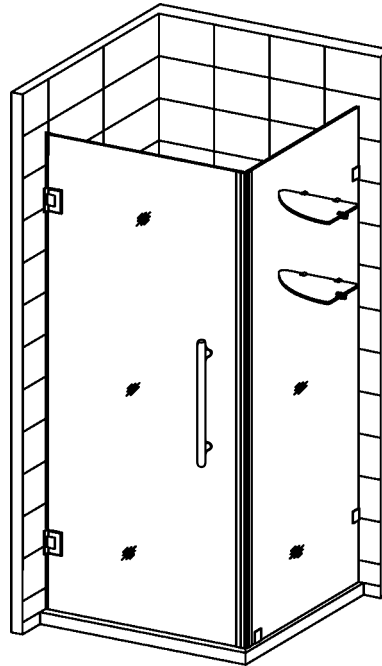
Shower Enclosure Assembly and Installation (Style A and B)

NOTE: Please use parts from Diagram "A" and Diagram "B" or "C" (depends on your model style) for the Shower enclosure assembly and installation.

ATTENTION: A minimum of two people are required for the next assembly steps.



Style A



Style B

1. Measuring from the back corner in the shower, mark the the shower wall for Glass Door A and Stationary Glass Panel B or C referring to the size of your model in the table below.

A	W1
GLSD1030	30 ³ / ₁₆ " / 767mm
GLSD1032	32 ³ / ₁₆ " / 818mm
GLSD1034	34 ⁷ / ₃₂ " / 869mm
GLSD1036	36 ⁷ / ₃₂ " / 920mm
GLSD1038	38 ³ / ₁₆ " / 970mm

B / C	W2
GLSP4030 / GLSP6030	30 ³ / ₁₆ " / 767mm
GLSP4032 / GLSP6032	32 ³ / ₁₆ " / 817mm
GLSP4034 / GLSP6034	34 ³ / ₁₆ " / 868mm
GLSP4036 / GLSP6036	36 ³ / ₁₆ " / 919mm
GLSP4038 / GLSP6038	38 ³ / ₁₆ " / 970mm

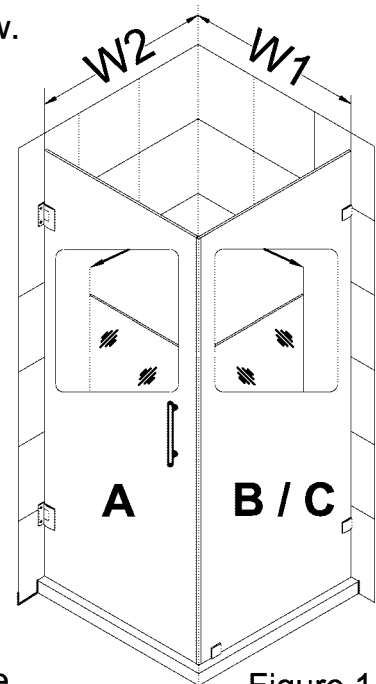


Figure 1

Remark:

This measurement is from the back corner in shower to the outside of glass

2. Remove pre-installed screws from pre-assembled Hinges (06).

Attach the Hinges (06) to Glass door (01). The smooth flat surface of Hinge (06) should be installed on outside of glass door. See Figure 1 for details.

NOTE:

Never set your glass down directly onto a tile or concrete floor.

Always use a piece of wood or cardboard and leave the corner pads on the glass until it becomes necessary to remove them to protect the bottom edge and the corners of the glass from breakage.

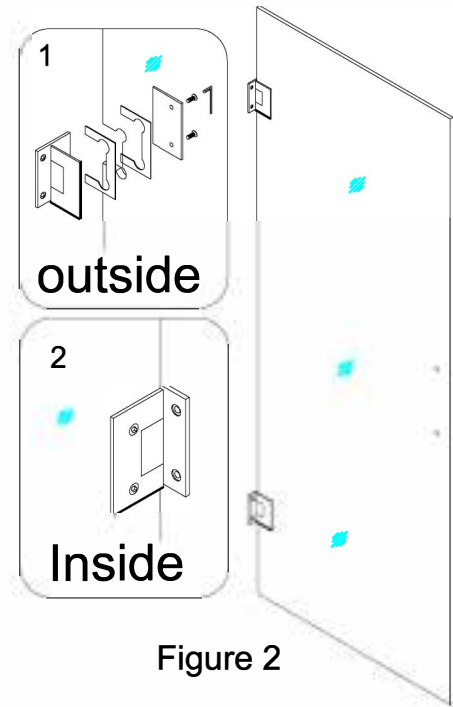


Figure 2

3. Place a piece of flat timber (1/2" thick) on the threshold or shower base. Remove the corner pads from the glass door (01). Place the Glass door (01) on the flat timber and carefully position the hinged side of shower door against shower wall aligning the outside edge of Glass door (01) with marked dimensions from earlier step. Check with level the plumb of Shower door (01) and mark the drill hole locations of shower hinges.

NOTE:

Please check with a level and be sure that the door is absolutely plumb.

See Figure 3 for details.

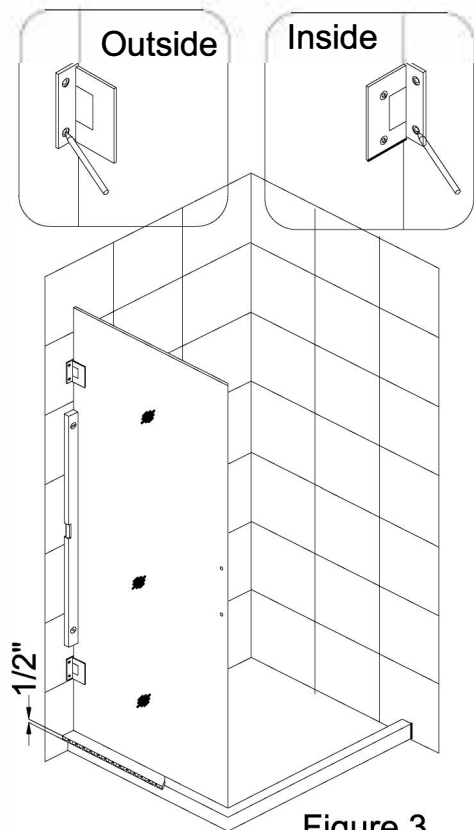


Figure 3

4. Set the door aside and drill the holes in the wall using $\text{Ø } \frac{5}{16}$ " drill bit.

If your surface is prone to cracking or chipping then it is recommended that you pilot drill first using a smaller drill bit, and then step up to the final size.

Install the wall anchors (04) into the drilled holes.

Position the Glass door (01) back on the flat timber and attach both hinges to the wall using M5X60 screws (05).

Note: Smooth flat surface of Hinges (06) should be installed on outside of glass door.

See Figure 4 for details.

ATTENTION:

This door is extremely heavy and the hinges on this door must be attached to the studs or to preinstalled 2X6 wood reinforcement behind the wall.

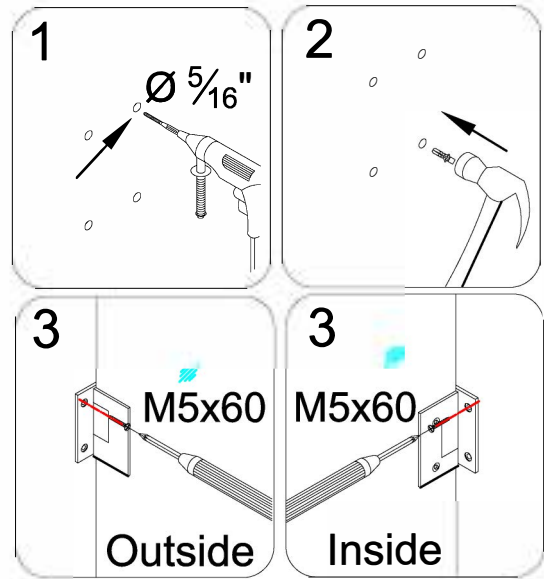


Figure 4

5. Remove pre-installed screws from pre-assembled Glass clamps (10).

Align the Glass Clamps (10) with notches in the Stationary glass (02) and install Glass clamps (10) to Stationary glass (02).

Note: Smooth flat surface of Glass clamp (10) should be installed on outside of Stationary glass door.

See Figure 5 for details.

6. Install the Handle (03) to the Glass Door (01) using the hardware provided.

See Figure 6.

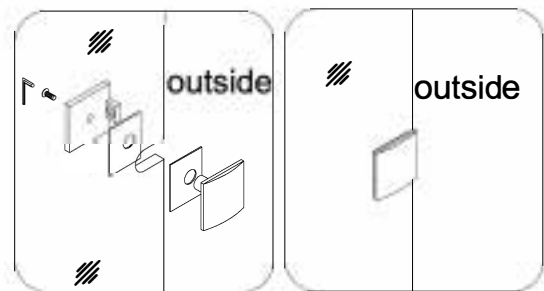


Figure 5

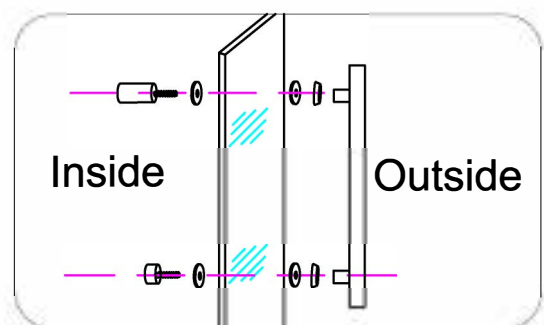


Figure 6

7. Press the Magnetic strips (09) onto the vertical edge of the Glass Door (01) and Stationary Glass Panel (02).

See Figure 7 for details.

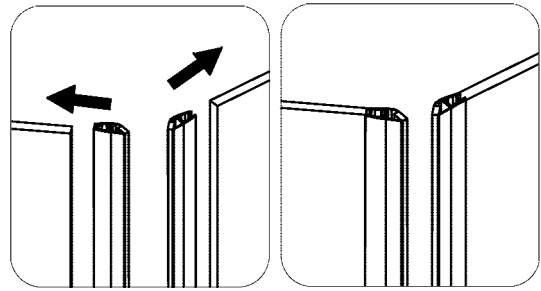


Figure 7

8. Carefully position the Stationary glass (02) against the wall vertically according to the measurements in size table.

While securely holding the Stationary glass panel (02) in place, close the Glass door (01) and check the alignment with Stationary glass panel (02).

If needed, adjust the position of the Stationary glass (02) to make sure the Magnetic strips (09) are tight from top to bottom.

Mark the position of the the Glass clamps (10) on the shower wall and shower floor from the inside shower.

See Figure 8 for details.

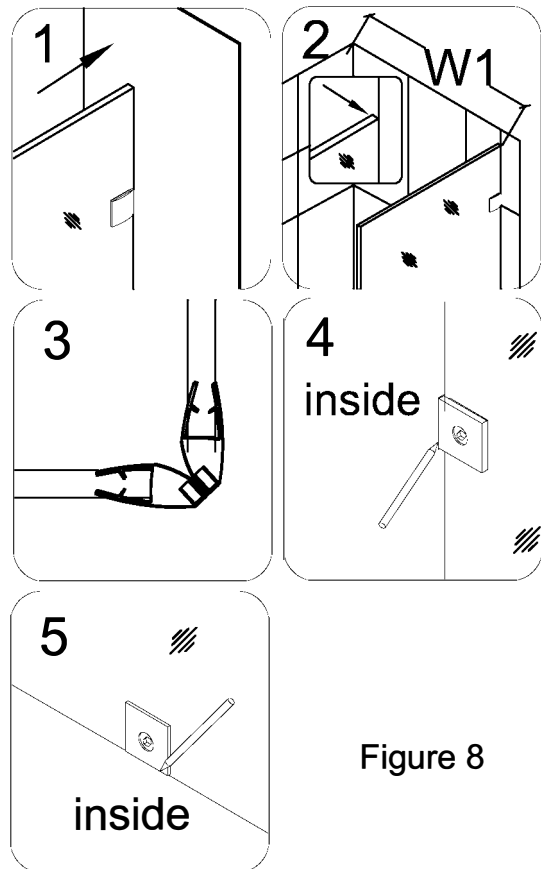


Figure 8

9. Carefully place the Stationary glass aside.

Remove the Glass clamps (10) from the Stationary glass (02). Next position the Glass clamps (10) with marked locations on shower wall and mark the hole location for mounting the Glass clamp (10) to shower wall.

See Figure 9 for details

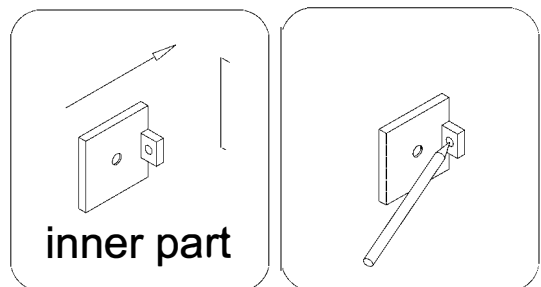


Figure 9

10. Using the appropriate drill bit for your wall surface drill each hole location with a 5/16" diameter drill bit.

Using the appropriate drill bit for your floor surface drill hole location with an 1/8" diameter drill bit for Aston shower base, use a 5/16" diameter drill bit for other surfaces and plastic wall anchor.

See Figure 10 for details.

NOTE: If your surface is prone to cracking or chipping then it is recommended that you pilot drill first using a smaller drill bit, and then step up to the final size.

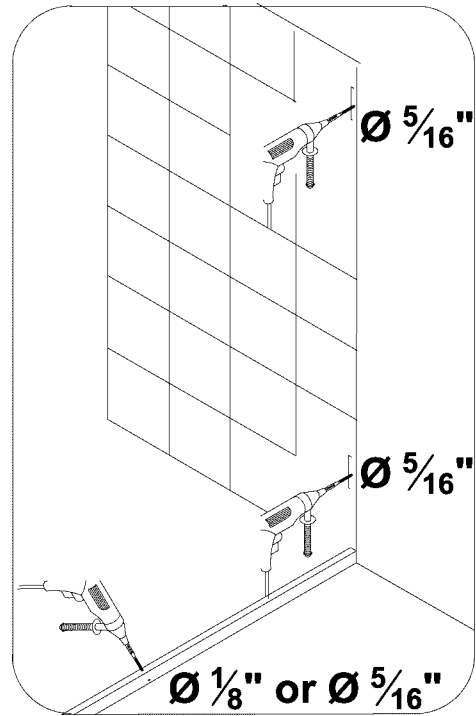


Figure 10

11. Install the plastic Wall anchors (04) provided into the drilled holes on wall.

See Figure 11 for details.

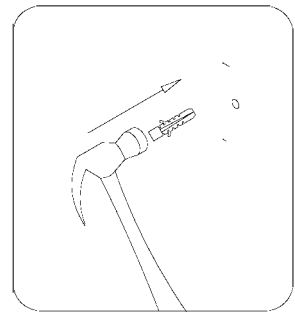


Figure 11

12. Attach the Glass Clamps (10) to shower wall and to shower floor using M4x60 screws.

The Glass clamps (10) should be positioned so that the single hole is facing toward the inside of shower.

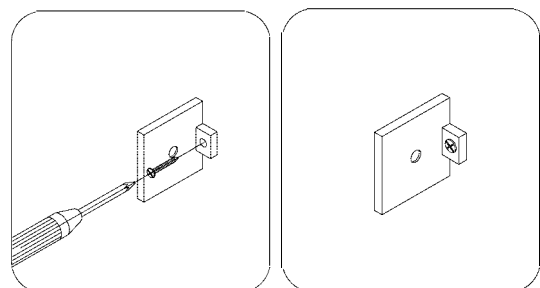


Figure 12

See Figure 12 for details.

13. Place the Stationary glass (02) into position in shower area and install glass clamps (10) to Stationary glass (02).

See Figure 13 for details.

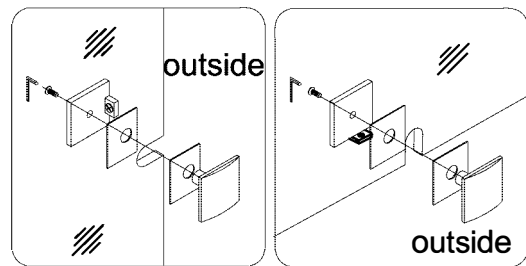


Figure 13

14. Marks on the Side Strip (07) at $8 \frac{1}{16}$ " , $48 \frac{3}{8}$ " and $8 \frac{1}{2}$ ".

Carefully cut the seal at the appropriate marks, then install the individual seals on the appropriate sections of glass door:

- from the top edge of glass door to upper body of the top hinge: $8 \frac{1}{16}$ "
- from the lower body of upper hinge to the upper body of the bottom hinge: $48 \frac{3}{8}$ "
- from the lower body of bottom hinge to $\frac{1}{16}$ " above the shower base: $8 \frac{1}{2}$ "

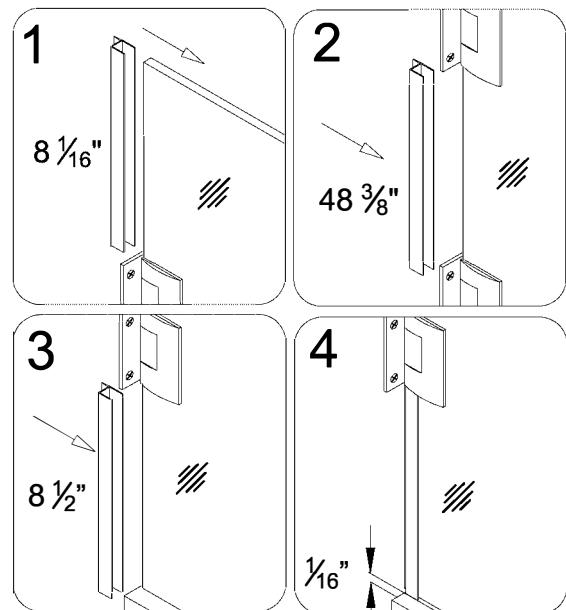


Figure 14

Remove the timber plate, fully open the glass door and press the cut strips on the vertical edge of the glass door.

See Figure 14 for details.

15. Measure the bottom of the Glass door (01) from the Side strip (06) to the vertical edge of Magnetic strip (09).

Cut the Bottom anti-water strip (08) to the size of your measurement and press onto the bottom edge of glass door.

See Figure 15 for details.

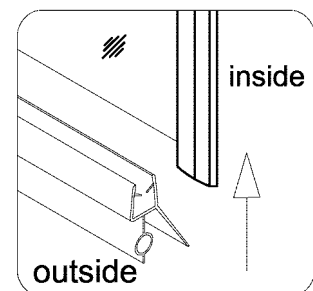


Figure 15

16. Apply silicone sealant to edge of Stationary glass (02) and shower wall, and Stationary glass (02) and shower base.

See Figure 16 for details.

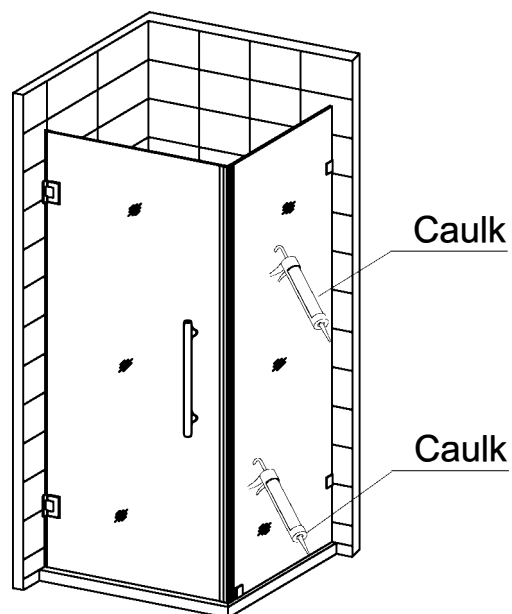
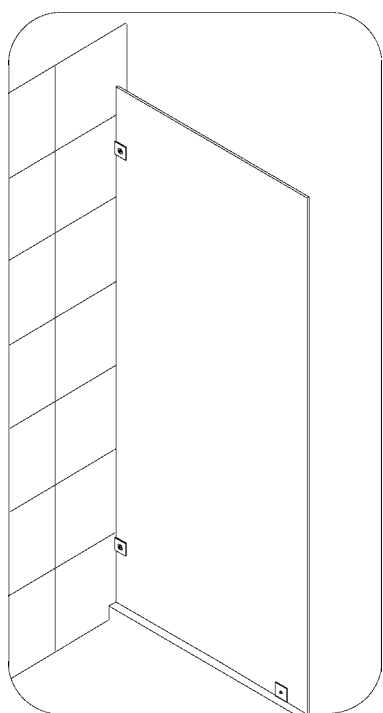


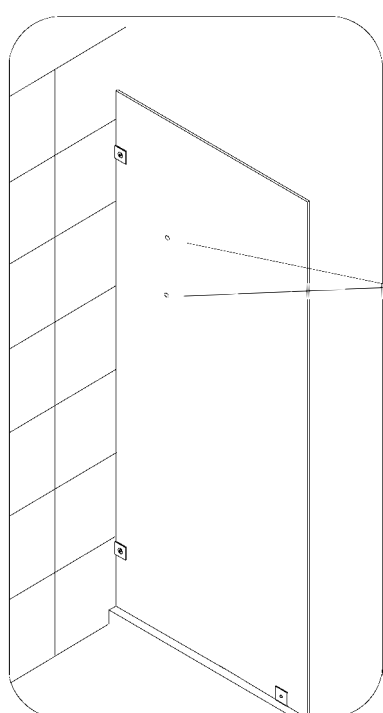
Figure 16

Please continue your installation:

- Style A for Support bar installation.
- Style B for Glass shelves installation.



Style A



Style B

Glass Shelf
installation
mounting holes

Support Bar Assembly and Installation (Style A)

NOTE: Please use parts from Diagram "B" for the Support Bar assembly and installation.

17. Position the Support bar (12) on the Stationary glass (02). Using a level, check support bar is level and mark the bracket's location on the shower wall.

Remove the Support bar (12) from the Stationary glass (02) and detach the wall bracket. Position the wall bracket to the marked area on shower wall and mark the drilling location on shower wall.

Drill the hole using 5/16" drill bit.

If your surface is prone to cracking or chipping then is recommended that you pilot drill first using a smaller drill bit, and then step up to the final size.

Insert the Wall anchor (04) and fasten the bracket to the wall with M5X60 screw (11).

Attach the Support bar (12) to the wall bracket and the Stationary Glass (02) (with gasket in place) and tighten the set screws to secure in place.

See Figure 17 for details.

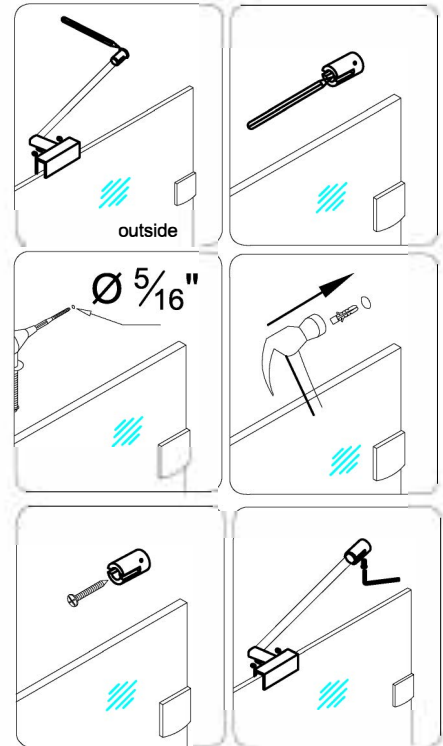
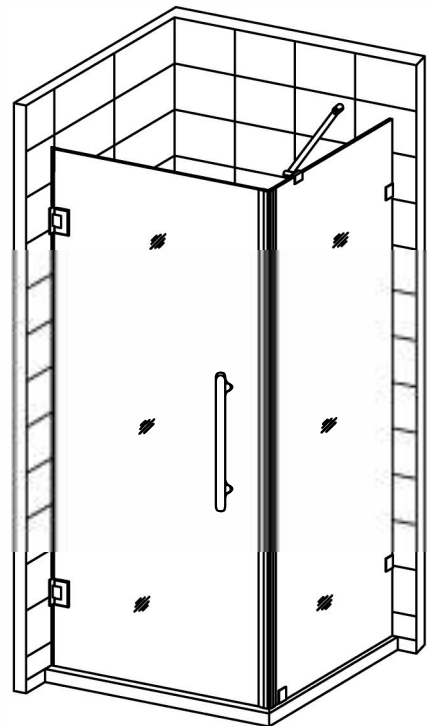


Figure 17



Glass Shelves Assembly and Installation (Style B)

NOTE: Please use parts from Diagram "C" for the Glass Shelves assembly and installation.

17. Mark the hole locations on shower wall for attaching glass shelf brackets.

Drill the holes using 5/16" drill bit.

If your surface is prone to cracking or chipping then is recommended that you pilot drill first using a smaller drill bit, and then step up to the final size.

Insert the Wall anchors (04).

Attach the Shelf brackets (without nut) (15) to the wall using the M4x60 screws (05).

Attach the Shelf brackets (with nut) (14) to the Stationary glass panel.

Insert the Glass shelves (13) into the Shelf brackets and fasten the set screws at the bottom of the brackets.

See Figure 17 for details.

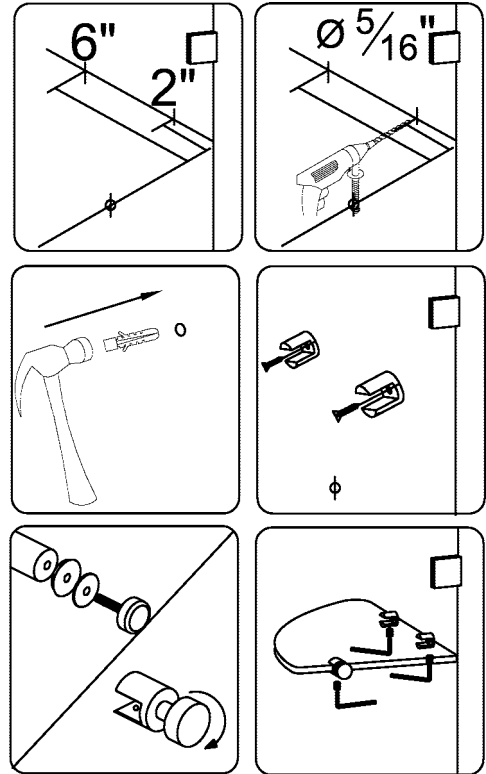
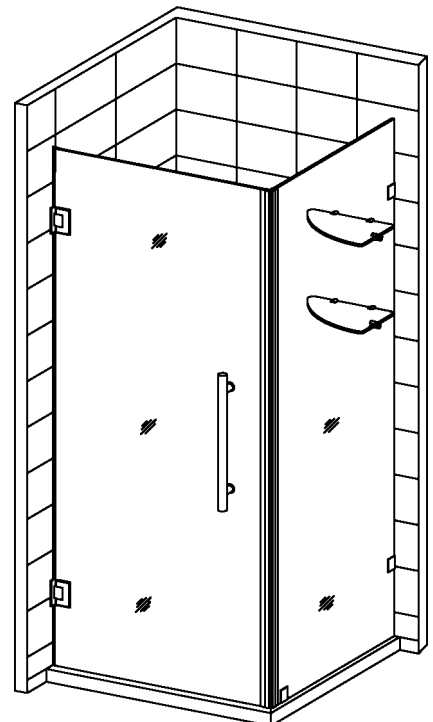


Figure 17



Care and Maintenance

As with any other luxury item, maintenance and care are critical to the long lasting quality and enjoyment of your shower door and tray. The proper care and maintenance outlined in this section are necessary to ensure the longevity of the unit. Damage caused by not following the care and maintenance guidelines in this section is not covered under the manufacturer's warranty.

The glass doors and panels can be cleaned using any commercially available glass cleaner.

We recommend that you clean the glass daily and squeegee the glass with a silicone or rubber squeegee after each use to help prevent water spots.

Warranty

PLEASE READ THESE WARRANTY TERMS AND CONDITIONS CAREFULLY BEFORE USING YOUR ASTON GLOBAL BATHROOM PRODUCT. BY USING THE PRODUCT, YOU ARE CONSENTING TO BE BOUND BY THE FOLLOWING WARRANTY TERMS AND CONDITIONS.

SHOWER DOOR/SHOWER TRAY

Aston Global Inc. Parts-Only Limited Warranty 5 years.

Warranty for any part in oil rubbed bronze finish is limited to two (2) years.

Aston Global, Inc. ("Aston Global") warrants to the original retail purchaser ("Owner") of any Shower Door/Tray product ("Product"), at the original installation site, for a period of Five (5) years from date of purchase (whether directly from Aston Global or an authorized reseller) that the Product manufactured by Aston Global is free from manufacturing defects in materials and workmanship, when used under normal conditions and when such Product has not been modified or changed in any manner after leaving Aston Global's warehouse or plant. If any Product manufactured by Aston Global is found to have manufacturing defects in materials or workmanship, such Product will be repaired or replaced by Aston Global. This warranty applies only against defects discovered within the warranty period and extends only to the original purchaser of the Product. Parts repaired or replaced under the terms of this Warranty will be warranted for the remainder of the original warranty period only.

Proof of purchase is required to exercise this Warranty. Aston Global may, at its option, examine and inspect the alleged defective Product, and Aston Global may request that parts be returned to Aston Global at Owner's expense for factory inspection. The determination as to whether Product shall be replaced, or in the alternative, repaired, shall be made solely by Aston Global. If a Product is determined to be covered by the above Warranty, Aston Global will ship the replacement part(s) to Customer by either ground shipping or US postal service. Increased costs for expedited delivery, if requested by Customer, are the responsibility of Customer. Parts not currently in stock may require up to a 6 week delivery time after placement of order.

The above warranty is subject to the following conditions: (1) the Product must be installed in a single family dwelling unit where the original purchaser of the Product resides; and (2) the Product must be maintained as described in the owner's manual supplied with the Product.

For glass and acrylic panels, the customer must (a) open and inspect the Product upon delivery (without releasing the delivery driver until visual verification that the Product arrived in a good and acceptable condition); and (b) clearly notate damage on the delivery acknowledgment receipt. Failure to do so, and any damage discovered to glass or acrylic panel after delivery, will be repaired or replaced at the sole discretion of Aston Global.

THIS WARRANTY DOES NOT COVER:

1. Product installed in buildings other than single family dwelling units.
2. Product installed outdoors or any other non-standard bathroom location.
3. Component parts not manufactured by Aston Global.
4. Workmanship of any installer of Aston Global Product. This warranty does not assume any liability of any nature for unsatisfactory performance caused by improper installation, or any damages to property resulting from improper installation or use of the Products, including but not limited to flooring, subfloor, tile, walls, sheet rock, concrete board, paint, plumbing fixtures and ceilings.
5. Labor costs incurred in the removal, disassembly, reassembly, or installation of the Product(s), including replacement Products issued under the Warranty, or costs for transportation to Aston Global, and any other materials necessary to return Product to Aston Global.
6. Any Product that has been damaged as a result of being improperly serviced or operated, including, but not limited to, the following: operated with insufficient water; allowed to freeze; subjected to flood conditions; operated with water conditions or additives which cause unusual deposits or corrosion in or on the Product, or subject to any other abuse or negligence.
7. Any Product that has been damaged as a result of natural disasters, including, but not limited to, lightning, fire, earthquake, hurricanes, tornadoes or floods.
8. Product used for any purpose other than residential bathroom usage.

LEGAL DISCLAIMERS

ALL IMPLIED WARRANTIES, INCLUDING WARRANTIES OF MERCHANTABILITY AND FITNESS FOR A PARTICULAR PURPOSE, ARE HEREBY DISCLAIMED IN THEIR ENTIRETY WITH RESPECT TO ALL PURCHASERS OR OWNERS. FAILURE TO RETURN THE WARRANTY CARD SHALL HAVE NO EFFECT ON THE DISCLAIMER OF THESE IMPLIED WARRANTIES. ALL EXPRESS WARRANTIES SHALL BE LIMITED TO THE DURATION OF THIS EXPRESS LIMITED WARRANTY AND EXCLUDE ANY LIABILITY FOR CONSEQUENTIAL OR INCIDENTAL DAMAGES RESULTING FROM THE BREACH OF ANY EXPRESS WARRANTY. Some states do not allow the exclusion or limitation of incidental or consequential damages, so the above limitations or exclusions may not apply. No dealer, distributor, service company or other party is authorized to change, modify or extend the terms of this warranty in any manner whatsoever.

Aston Global and its representatives shall not be liable for any injury, loss, cost or other damages, whether incidental or consequential, arising out of any defect covered by this Warranty including and without limitation, loss of use of the Product and cost for removal of defective Product, even if Aston Global has been advised of the possibility of such damage. The liability of Aston Global under this Warranty, if any, shall not exceed the original amount paid for the Product covered by the Warranty. Coverage under this Warranty shall commence as of the original date of purchase and the duration of such coverage shall not extend for any reason whatsoever beyond the stated time period. The

Customer is required to provide adequate access the Product for any repair or inspection. Aston Global shall not be liable for expenses or damage which may include but are limited to water damage, removal of any and all common building product such as tile, flooring, wood, sheet rock, plumbing fixtures, concrete board, vanities, bathtubs and toilets or any other custom items.

THIS WARRANTY GIVES YOU SPECIFIC LEGAL RIGHTS AND YOU MAY HAVE OTHER RIGHTS WHICH VARY FROM STATE TO STATE. ASTON GLOBAL'S FAILURE TO ENFORCE ANY TERMS OR CONDITIONS STATED HEREIN SHALL NOT BE CONSTRUED TO BE A WAIVER OF SUCH PROVISION.

For prompt service, notify the original installer who, in turn, will notify the Aston Global distributor who supplied the Product. If this does not result in prompt service, contact Aston Global, Inc. at the address below with details in support of the warranty claim. For any questions about coverage of this Warranty, contact Aston Global at the address below.

Aston Global offers free phone support for the life of the Product to the original Owner.

The Warranty applies only to Products manufactured on or after January 1, 2012.

This Warranty may not be combined with any other warranty offered by Aston Global.



Customer Service

**If further assistance is needed
or you have a question or need
additional product information,
please visit our website:**

www.astonbath.com