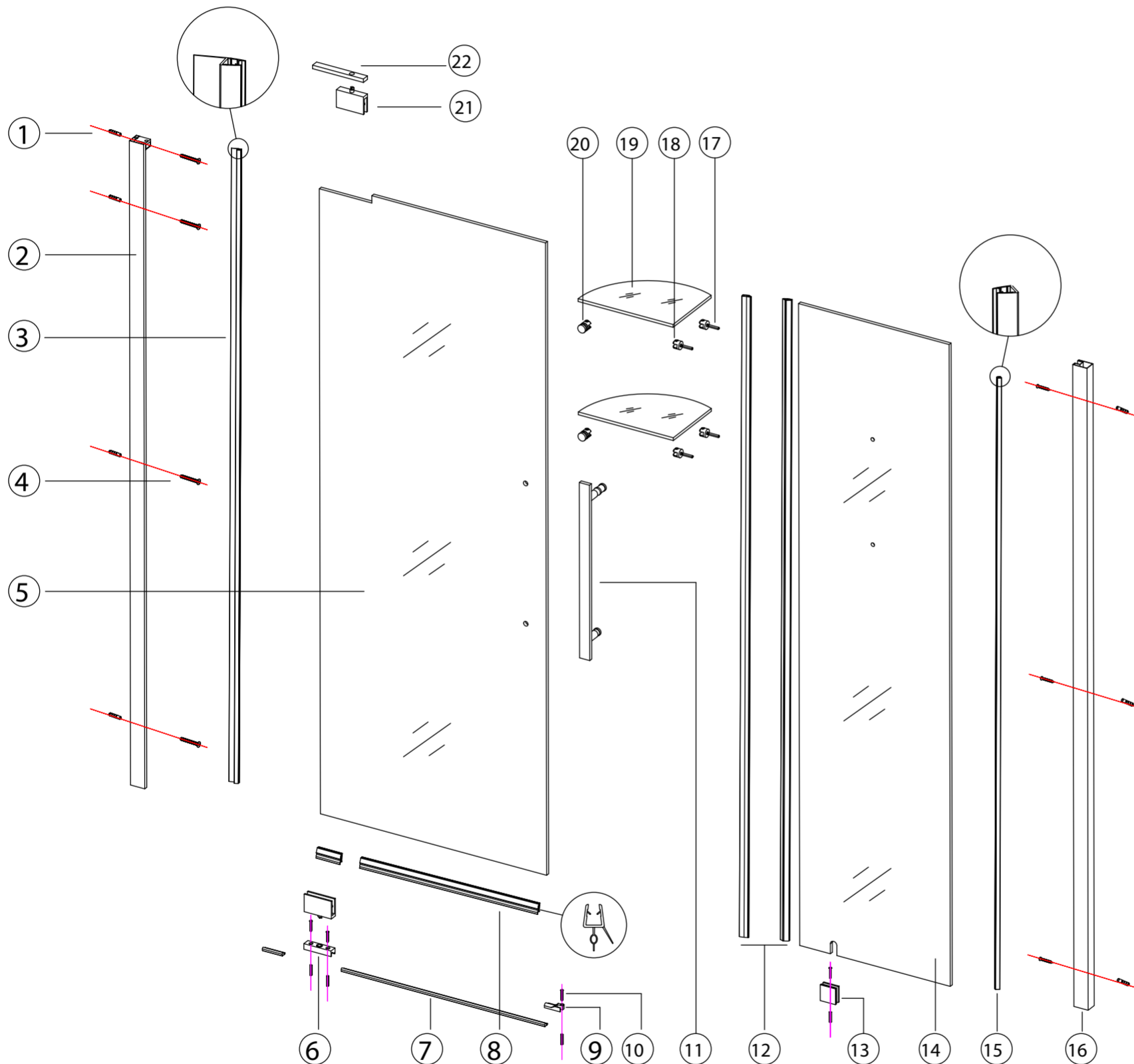




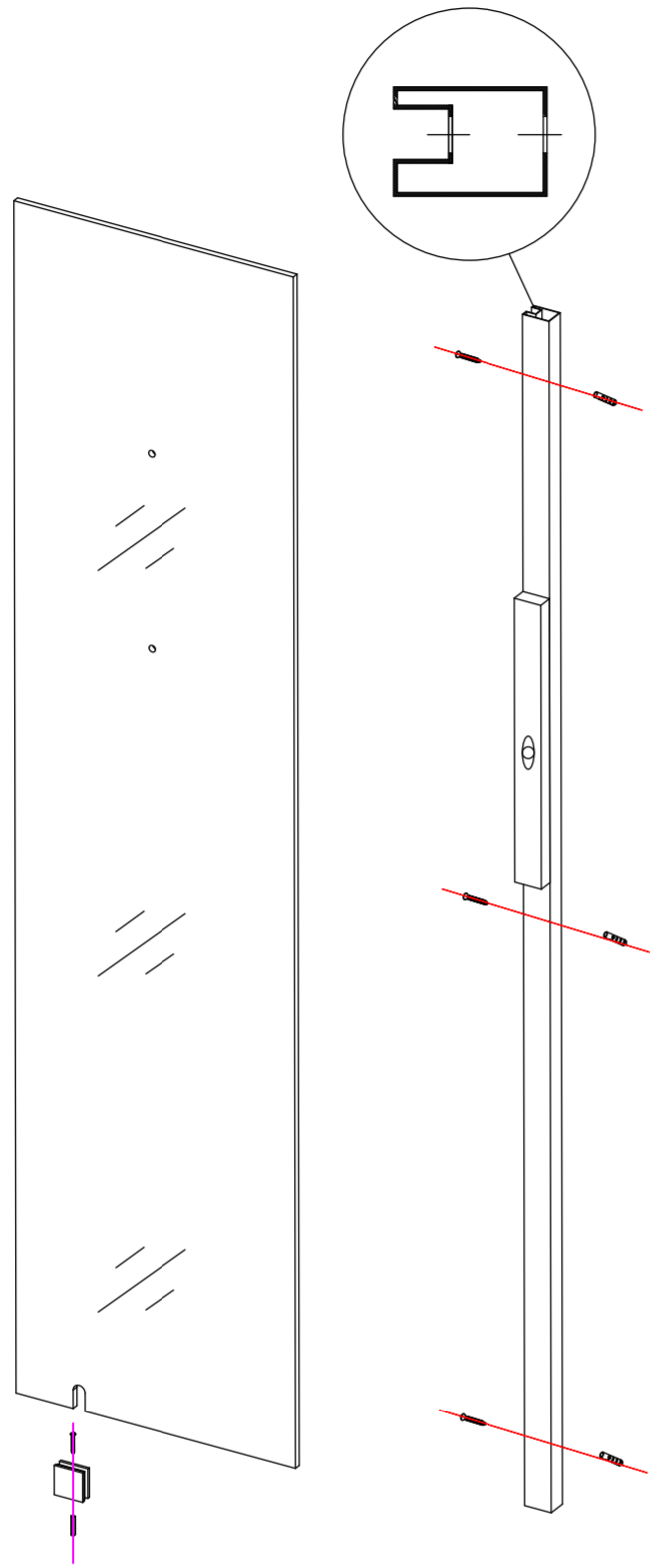
# SD-AZ04 SHOWER PANEL SERIES



## Componentlist

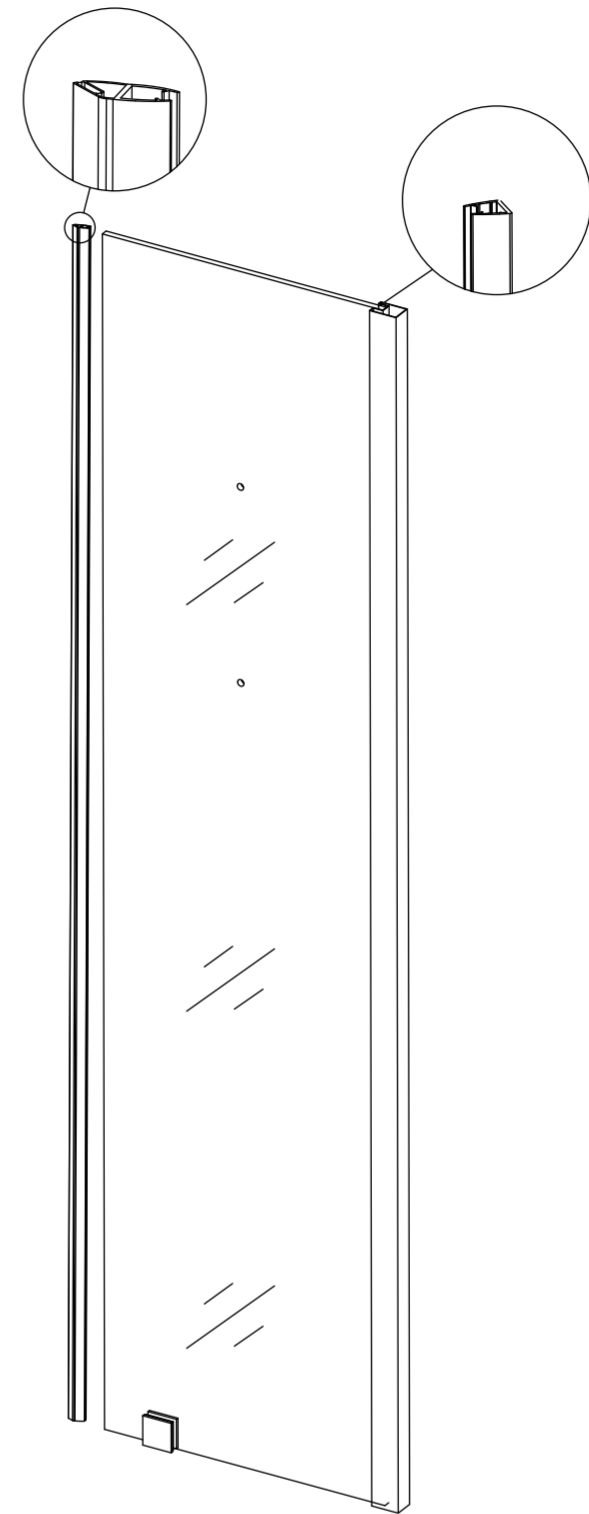
NO.	Description	Drawing	Qty
①	Wall anchor(8)		7
②	Vertical rail		1
③	Door side seal strip		1
④	ST5*40		7
⑤	Moving glass panel		1
⑥	Bottom pivot base		1
⑦	Door threshold		2
⑧	Door bottom seal strip		2
⑨	Threshold clip		1
⑩	ST4*30		8
⑪	Handle		1
⑫	Door magnetic seal strip		1
⑬	Bottom bolder clip		1
⑭	Fixed glass panel		1
⑮	Fixed Side Seal		1
⑯	Vertical rail		1
⑰	Wall anchor(6)		8
⑱	Shelf to Wall Clip		4
⑲	Shelf glass		2
⑳	Shelf to Glass Clip		2
㉑	Pivot Clips		2
㉒	Structural arm		1

NOTE: Unpack your unit carefully and inspect it. Identify all parts using the detailed diagram and packing list in this manual as a reference. Before discarding the carton, check for small hardware bags that may have fallen to the bottom of the box. If any parts are damaged or missing, please contact ANZZI at 1-844-44-ANZZI or support@ANZZI.com.



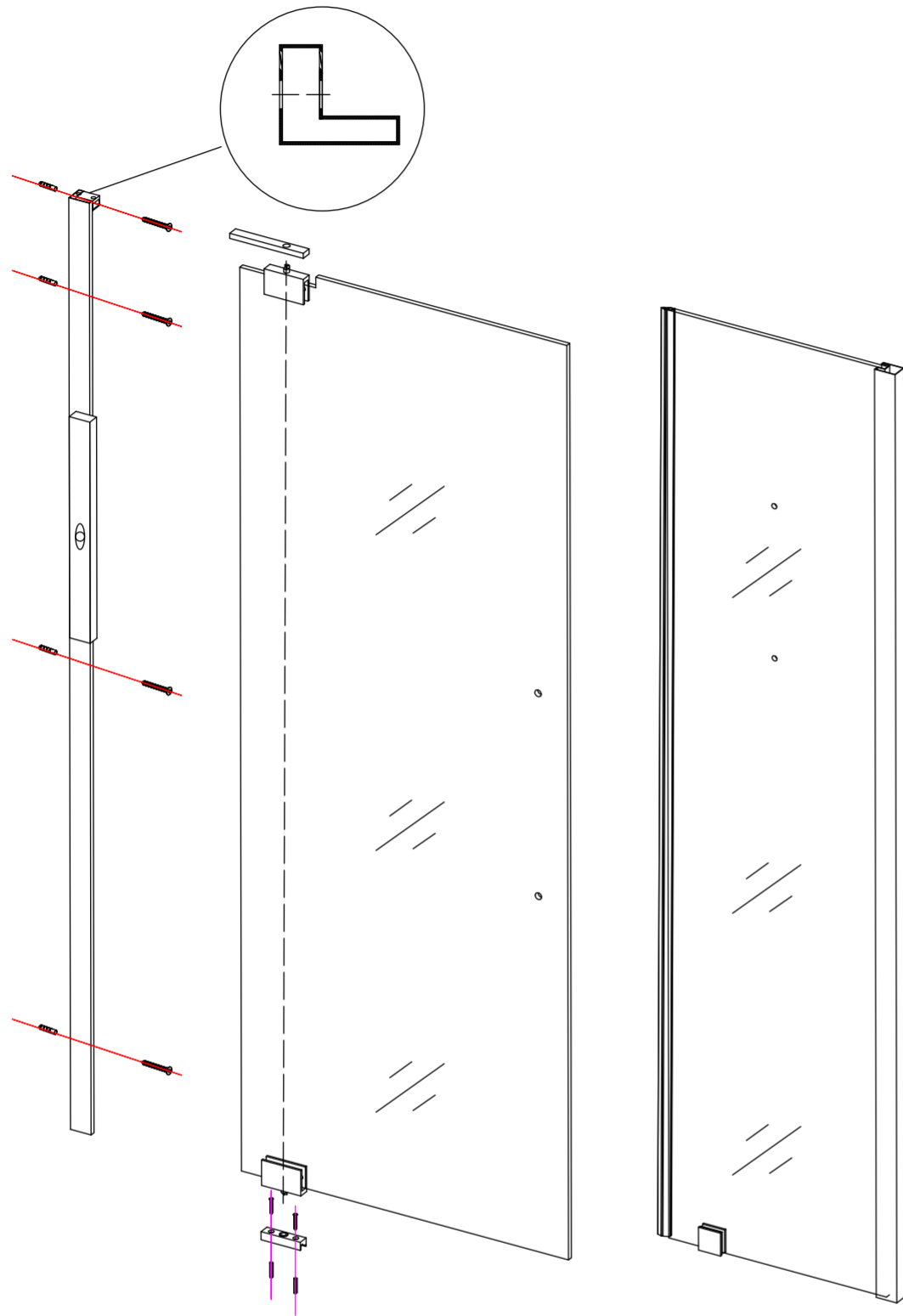
Fixed Panel Side

1. Place the vertical rail (16) for the fixed glass panel (14) against the desired wall. Locate and mark where to drill the anchor holes. It is recommended you use a level to ensure vertical rail and the screw holes are perfectly vertical. Once marked, place the vertical rail (16) aside and drill into the wall with an 8mm drill bit and insert the white wall anchors (1).
2. Align the vertical rail (16) to the wall anchors and firmly screw in with the provided ST5\*40 screws (4).
3. Position the fixed glass panel (14) into the vertical rail (16). Locate the notch at the bottom side of the fixed glass panel



Fixed Panel Side

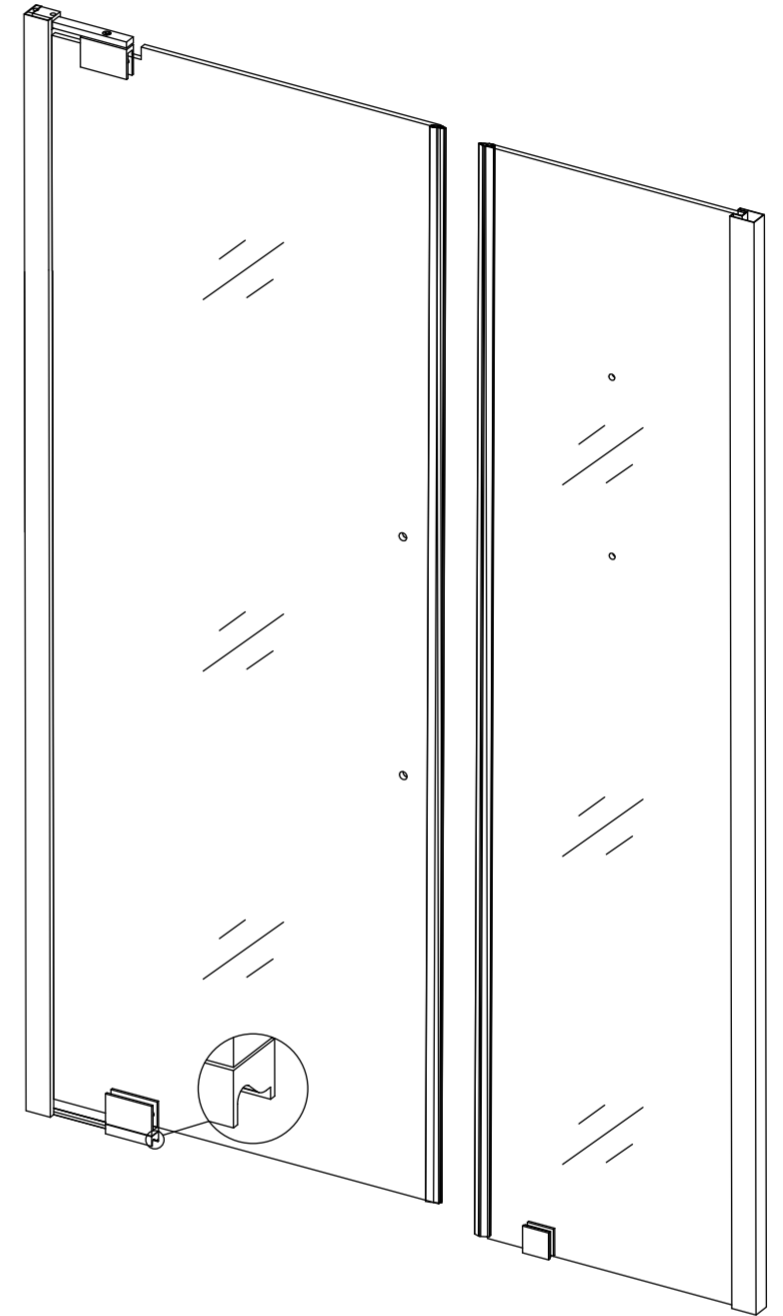
4. Align the bottom bolder clip (13) with the anchor and firmly screw in with the provided ST4\*30 screw.
5. Slip the fixed side seal (15) onto the fixed glass panel (14). Then insert glass panel and seal into the vertical rail (16) and the bottom bolder clip (13).



6. Firmly tighten the bottom bolder clip (13) to secure the glass panel.

7. Next, install the magnetic strip (12) onto the fixed glass panel (16).

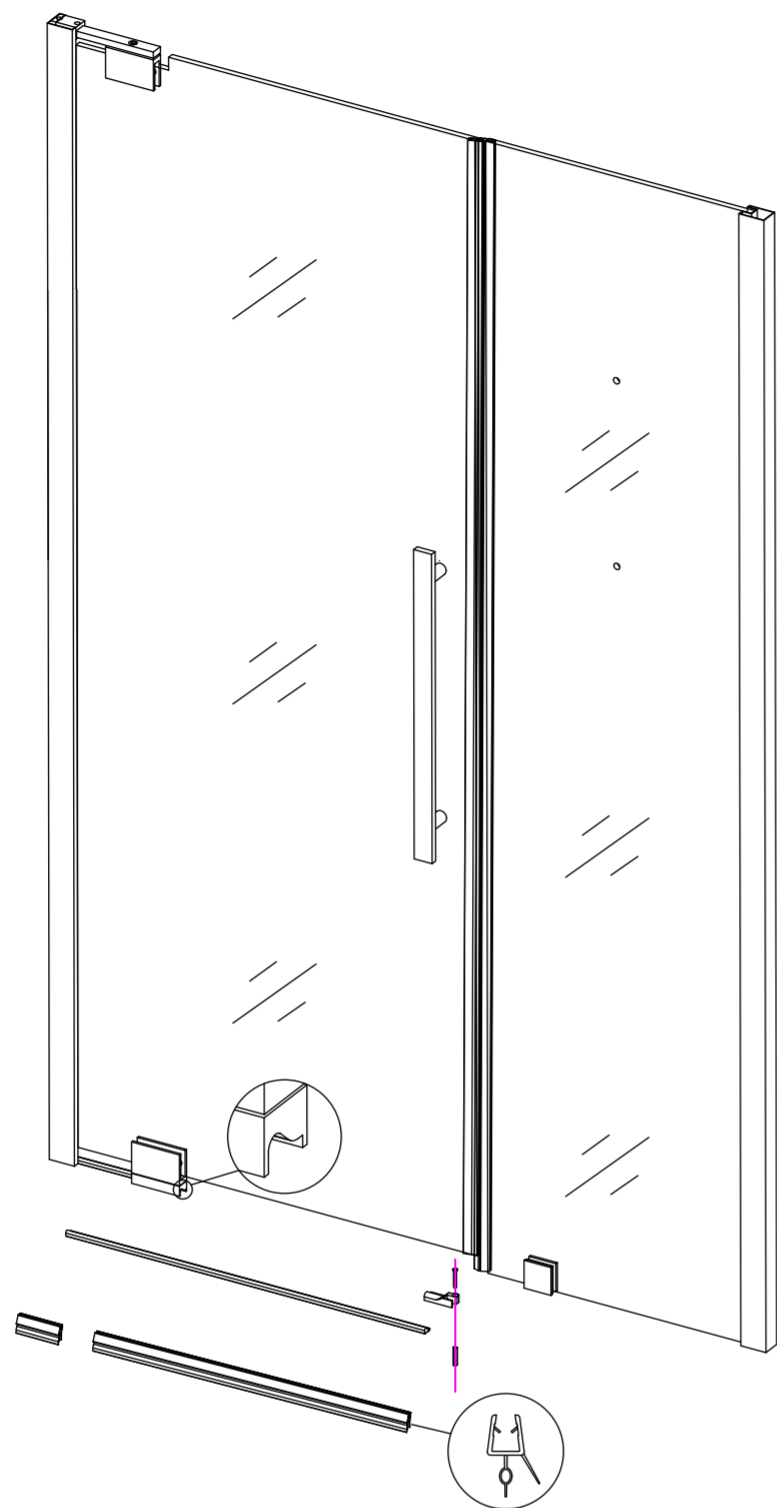
8. Place the hinged side vertical rail (2) on the opposite wall from the previously installed vertical rail (16). It is very important that the two rails are positioned parallel to one another and are both vertically level.



9. Locate and mark where to drill the anchor holes. Once marked, place the vertical rail (2) aside and drill into the wall with an 8mm drill and insert the white wall anchors (1).

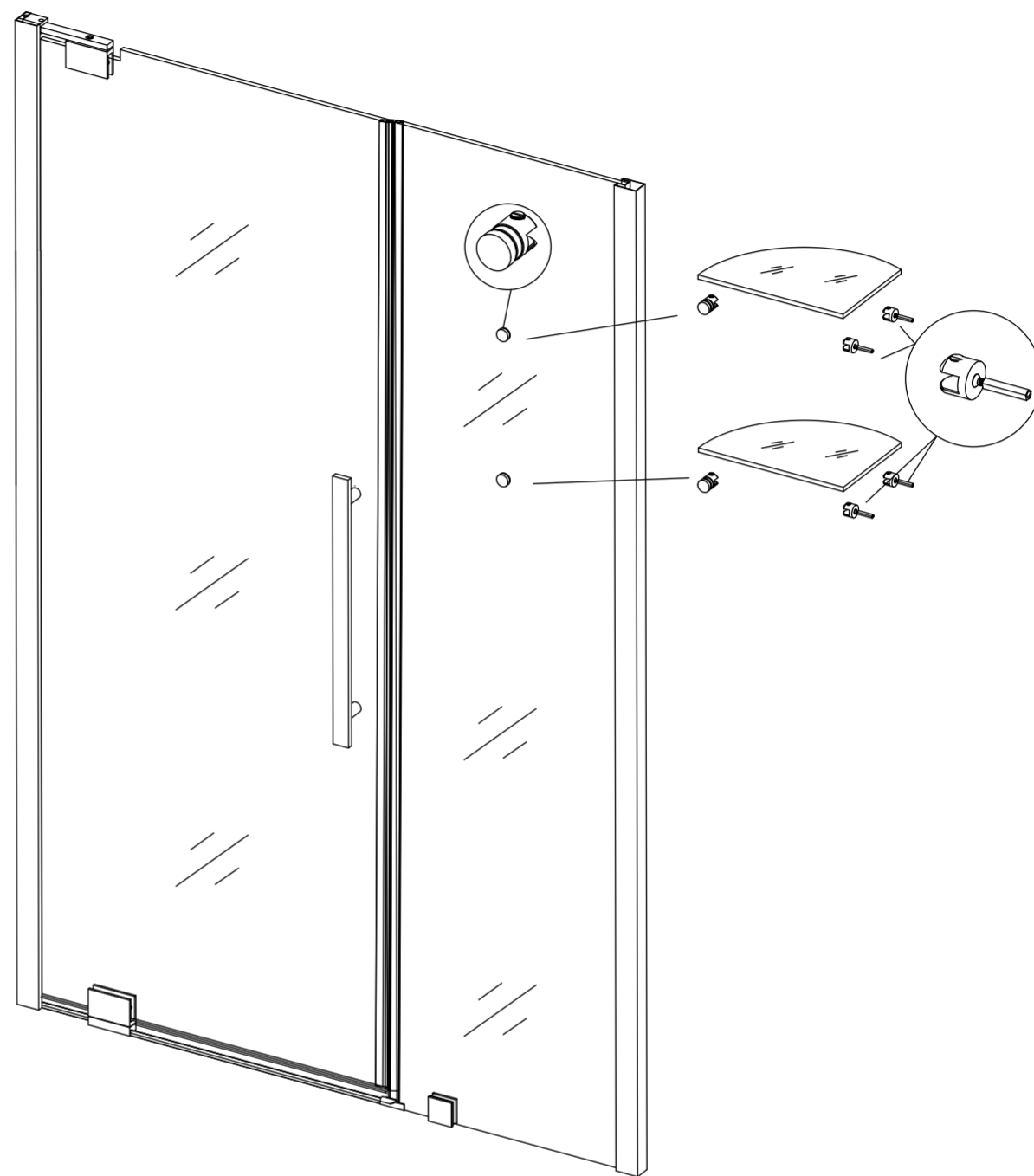
10. Align the vertical rail (2) to the wall anchors and firmly screw in with the provided ST5\*40 screws (4).

11. Install the pivot base (6)



12. Attached the top and bottom pivot clips (21) onto glass door (5).

13. Attach the door side seal (3) to the glass door (5).



14. Line up the glass shelf with the holes drilled on the panel. On the shower wall mark where to drill the holes.

5. Insert the glass to wall clip (18) into the hole in the wall and insert the shelf to glass panel clip (20) to the glass panel. Then tighten to secure.