

MONTAUK COLLECTION

Includes: Cabinet, Countertop, Backsplash, Sink and Matching Mirror

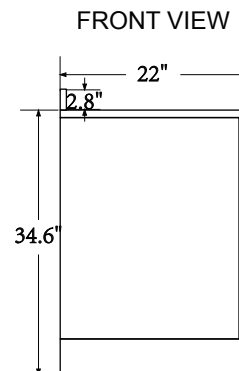
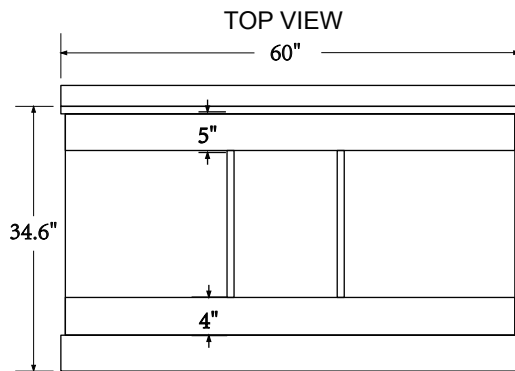
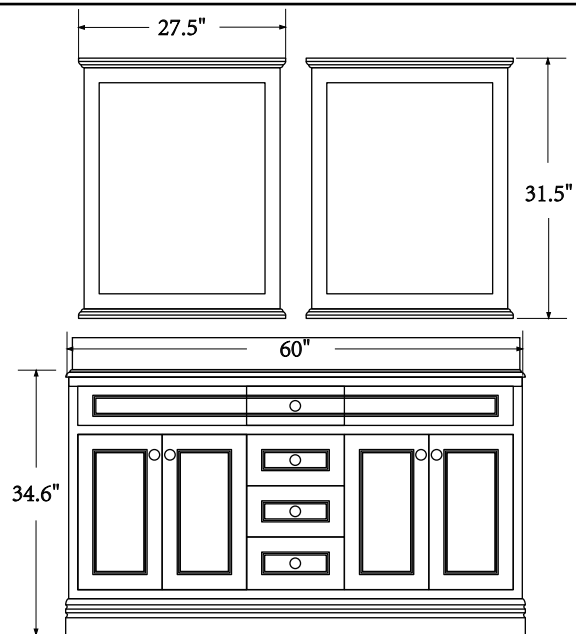
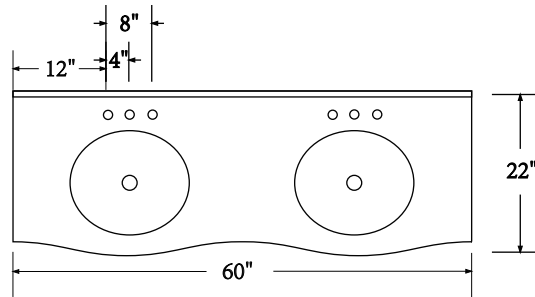
Vanity Dimensions: 60"L x 22"W x 34.6"H

Mirror Dimensions: 27.5"W x 31.5"H (X2)

SC-MON60SWH PRODUCT FEATURES

- Solid Hardwood Construction
- Alpine White Finish
- 1/2" Solid Fir Drawers
- Two Rectangular CUPC-Certified Undermount Ceramic Basins
- White Carrera Marble Countertop and Backsplash
- Soft-Closing Drawer Sliders and Door Hinges
- Two Matching Wood-Framed Mirrors
- Brushed Nickel Hardware

Net Weight: 240 lbs



BACK VIEW

SIDE VIEW