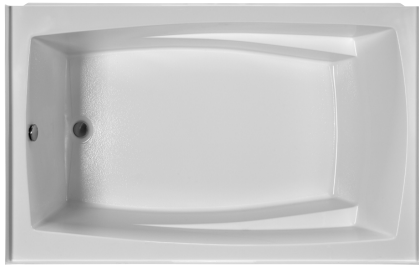


R7242IS

72" x 42.125" x 21"

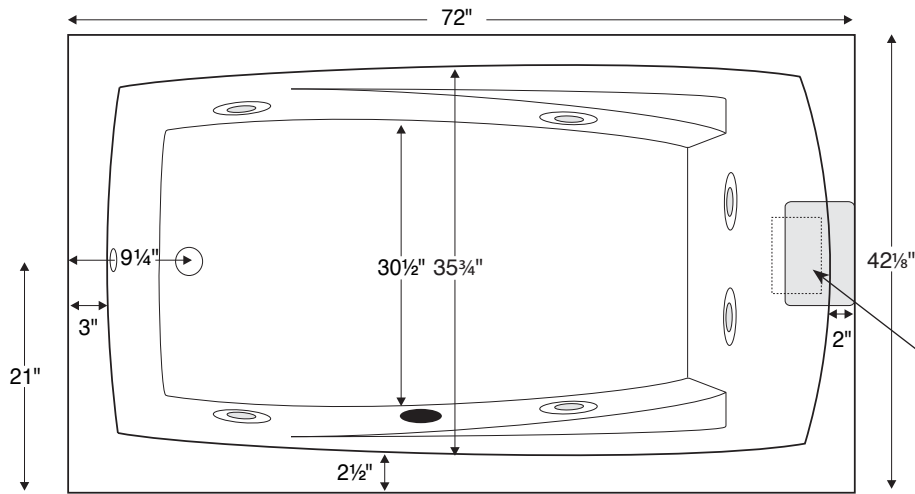


Features integral front skirting, armrests & factory installed tile flange on 3 sides.

GENERAL SPECIFICATIONS:

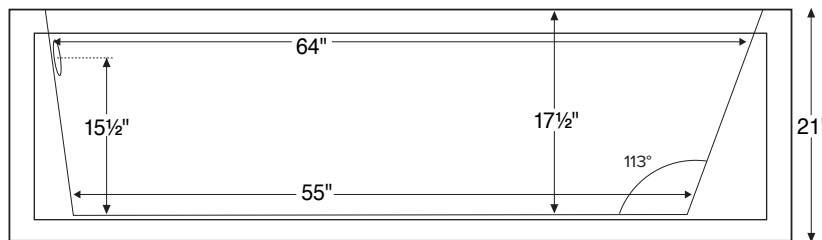
- Installation: Alcove
- Material: Acrylic
- Plumbed Weight: 150 lbs / 68 kg
- Soaker Weight: 125 lbs / 57 kg
- Average Fill: 60 gal to above jet level
- Maximum Fill: 100 gal to overflow

NOTE: Filling this tub to the maximum may require an above average size or dedicated water heater.



Compliance Label
 Model MTXXXX
 Made in USA
 Complies with
 ANSI Z124.1-1995
 CSA Certified C/US

Shown with Whirlpool Package



ELECTRICAL SPECIFICATIONS

- Required Electrical Service - 110 Volt
- Air Bath or Whirlpool - 1-15 amp GFCI
- Soaker - Inline Heater - 1-15 amp GFCI
- Air Bath - Inline Heater - 1-15 amp GFCI
- Whirlpool - Inline Heater - 1-15 amp GFCI

CSA Certified C/US; ANSI Z124.1
 CSA Certified C/US; ANSI 112.19.7

IMPORTANT ORDERING & INSTALLATION INFORMATION:

- Before ordering or installing, please consider future access to all equipment.
- Please measure tub on-site before building tub decking.
- Add bedding compound to fully level and support bottom of tub.
- Tubs equipped with an air bath or a pre-leveled foam base are designed to rest on the floor without bedding compound, provided the floor is level.
- Overall tub height is increased by approx. 2-3" when tub is equipped with any air bath package.
- Jet, pump & blower locations are predetermined and cannot be changed.
- Suction and control locations may vary.
- Specifications and configurations are subject to change without notice.
- Measurements are +1/2" and are subject to change without notice.
- Measurements herein supersede all others published prior to publication date shown below.

PACKAGE	PACKAGE CONTENTS	PART #
Soaker	Soaking bath - No jets. Includes an integral front skirting and 3-sided integral tile flange	R7242ISS
Air Bath	12 air jets, heated air blower, integral front skirting, 3-sided integral tile flange, pre-leveled foam base	R7242ISA
Whirlpool	6 point-massage jets, 1-bhp pump, integral front skirting and 3-sided integral tile flange	R7242ISW

COLOR AND FINISH OPTIONS

NOTE: Part codes for all options listed in parenthesis.

Color Upgrade: Biscuit (RCOLOR)

STANDARD OPTIONS

NOTE: Part codes for all options listed in parenthesis.

Quick Ship / Priority

Soaker & Whirlpool (RQSHIP)
Airbath (RQSHIPA)

Inline Heater

For Whirlpool (RHTI)
Heater with Recirculating Pump
for Soaker & Air Bath (RHTISOAK)

Lift and Turn Drain & Overflow

Chrome (RWOC)
Brushed Nickel (RWOBN)
White (RWOW)

Pre-Leveled Foam Base

5' Tubs (RPLFOAM)
5.5' & 6' Tubs (RPLFOAM2)



Front view of the integral skirt.