

Features integral armrests.

# Reliance™ R6634ERR

65.75" x 33.75" x 19.5"

**Installation:** Drop-in

*cannot be undermounted*

### GENERAL SPECIFICATIONS:

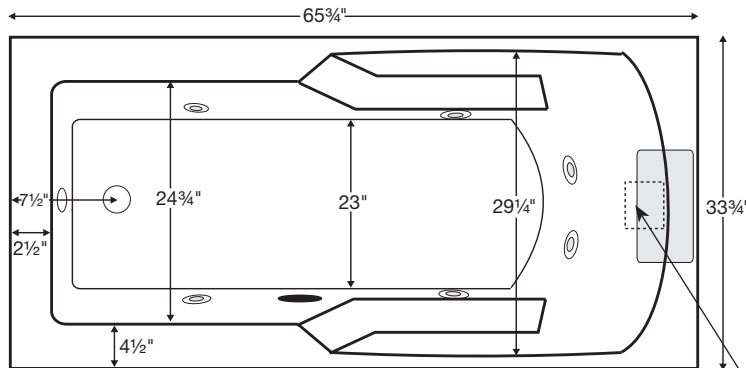
<b>Material</b>	Acrylic
<b>Plumbed Weight</b>	140 lbs / 64 kg
<b>Soaker Weight</b>	115 lbs / 52 kg
<b>Average Fill</b>	30 gal to above jet level
<b>Maximum Fill</b>	80 gal to overflow

*NOTE: Filling this tub to the maximum may require an above average size or dedicated water heater.*

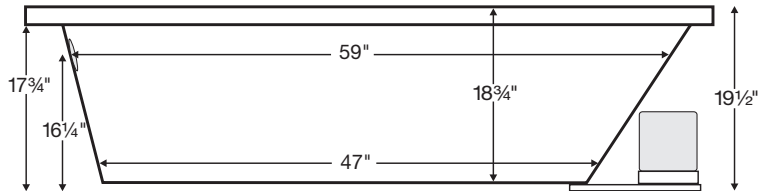
### ELECTRICAL SPECIFICATIONS:

<b>Required Electrical Service</b>	110 Volt
<b>Air Bath or Whirlpool</b>	1-15 amp GFCI
<b>Whirlpool with Inline Heater</b>	1-15 amp GFCI
<b>Soaker with Inline Heater</b>	1-15 amp GFCI
<b>Air Bath with Inline Heater</b>	2-15 amp GFCI

CSA Certified C/US; ANSI Z124.1 for plastic tubs and ANSI 112.19.7 for whirlpool components.



Shown with Whirlpool Package.



**Compliance Label**  
Model MTXXXX  
Made in USA  
Complies with  
ANSI Z124.1-1995  
CSA Certified C/US

### PACKAGES AND OPTIONS

Hydrotherapy Package	Package Contents	Part #
<b>Soaker</b>	soaking bath - no jets; textured bottom	<b>R6634ERRS</b>
<b>Whirlpool</b>	6 point-massage jets, 1-bhp pump	<b>R6634ERRW</b>
<b>Air Bath</b>	12 air jets, heated air blower, pre-leveled foam base (increases overall height 2-3")	<b>R6634ERRA</b>

### OPTIONS

**Standard Colors** - White

**Color Upgrade** - Biscuit (RCOLOR)

**Quick Ship** - reduces lead time - call for availability

Soaker or Whirlpool - ships within 48 hours (RQSHIP)

Air Bath - ships within 72 hours (RQSHIPPA)

**Inline Heater** - Whirlpool (RHTI)

**Inline Heater with Pump** - Soaker or Air Bath (RHTISOAK)

### Lift & Turn Drain Kit -

Chrome (RWOC); Brushed Nickel (RWOBN), White (RWOW)

### Tile Flange -

Field-Installed (RTFKNI)

*Kit includes ABS material and adhesive for 3 sides of coverage*

### IMPORTANT INFORMATION

- Before ordering or installing, please consider future access to equipment.
- Add bedding compound to fully level and support bottom of tub.
- Tubs equipped with an air bath or a pre-leveled foam base are designed to rest on the floor *without* bedding compound, provided the floor is level.
- Overall tub height is increased by approx. 2-3" when tub is equipped with any air bath package or when pre-leveled foam base or framing system is ordered.
- Please measure tub **on-site** before building tub decking.
- Jet, pump & blower locations are predetermined and cannot be changed.
- Suction and control locations may vary.
- Specifications and configurations are subject to change without notice.
- Measurements are  $\pm 1/2"$  and are subject to change without notice.
- Measurements herein supersede all others published prior to publication date shown below.