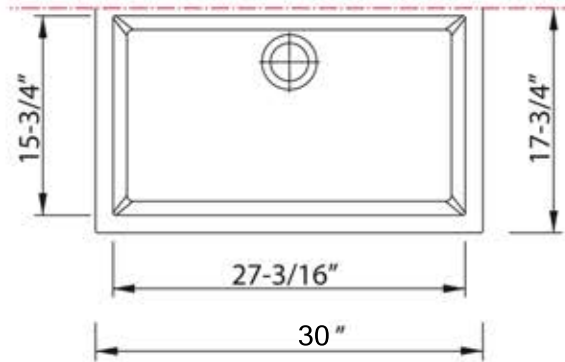


Granite Composite
Premium Granite Composite
Undermount Kitchen Sink



MODEL:
PR3018-BL



Overall Dimensions	Interior Bowl	Bowl Depth	Height	Drain Dimension
30" x 17.75"	27.1875" x 15.75"	7.875"	8.25"	3.5"

FEATURES

- Premium Granite Composite Kitchen Sink
- 80% Stone/20% Resin
- Scratch Resistant/Heat resistant to 560F degrees
- Hygienic non-porous surface
- Undermount installation clips included
- Designed and made in Italy
- Matte finish
- Limited Manufactures Warranty



PROJECT/ NAME:

ARCHITECT/CONTRACTOR:

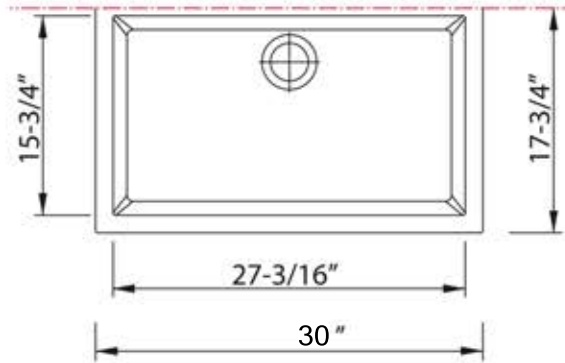
MODEL:

JOB NOTES:

Granite Composite
Premium Granite Composite
Undermount Kitchen Sink



MODEL:
PR3018-BR



Overall Dimensions	Interior Bowl	Bowl Depth	Height	Drain Dimension
30" x 17.75"	27.1875" x 15.75"	7.875"	8.25"	3.5"

FEATURES

- Premium Granite Composite Kitchen Sink
- 80% Stone/20% Resin
- Scratch Resistant/Heat resistant to 560F degrees
- Hygienic non-porous surface
- Undermount installation clips included
- Designed and made in Italy
- Matte finish
- Limited Manufactures Warranty



PROJECT/ NAME:

ARCHITECT/CONTRACTOR:

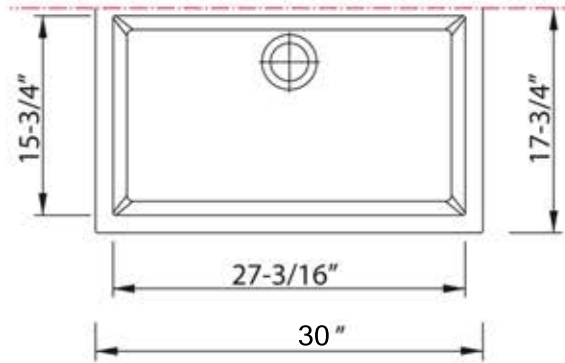
MODEL:

JOB NOTES:

Granite Composite
Premium Granite Composite
Undermount Kitchen Sink



MODEL:
PR3018-S



Overall Dimensions	Interior Bowl	Bowl Depth	Height	Drain Dimension
30" x 17.75"	27.1875" x 15.75"	7.875"	8.25"	3.5"

FEATURES

- Premium Granite Composite Kitchen Sink
- 80% Stone/20% Resin
- Scratch Resistant/Heat resistant to 560F degrees
- Hygienic non-porous surface
- Undermount installation clips included
- Designed and made in Italy
- Matte finish
- Limited Manufactures Warranty



PROJECT/ NAME:

ARCHITECT/CONTRACTOR:

MODEL:

JOB NOTES: