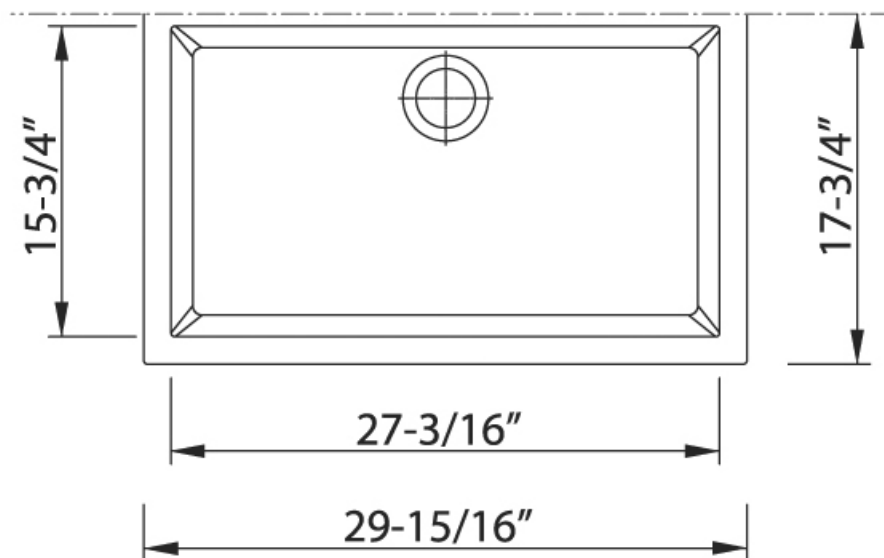


Code **ON7610ST**

100% ANTIBACTERIAL

LV1 - 29-15/16" x 17-3/4" - Single basin sink - UNDERMOUNT VERSION



- **Cut-out:** 29' $1/8$ x 15' $11/16$
- **Depth:** 7' $7/8$