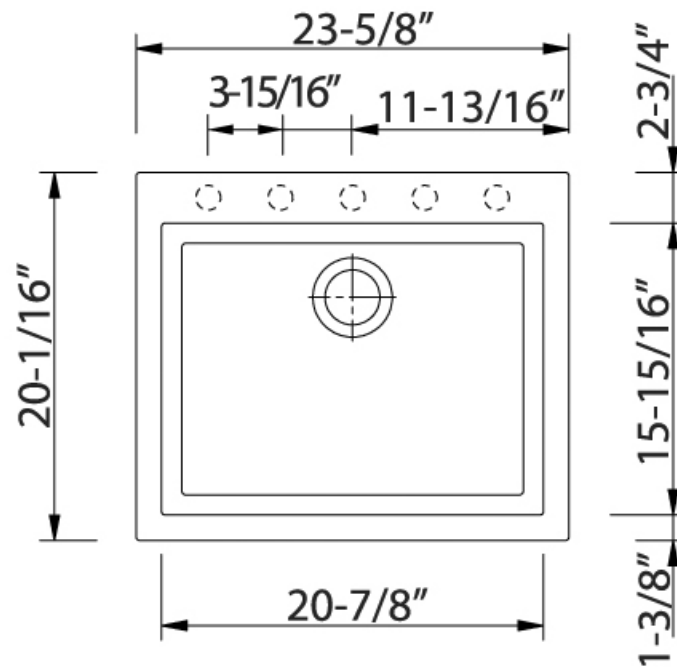


Code **ON6010**

100% ANTIBACTERIAL

LV1 - 23-5/8" x 20-1/16" - Single basin sink - DROP IN VERSION



- **Cut-out:** 22-13/16" x 18-7/8"
- **Depth:** 7-7/8"