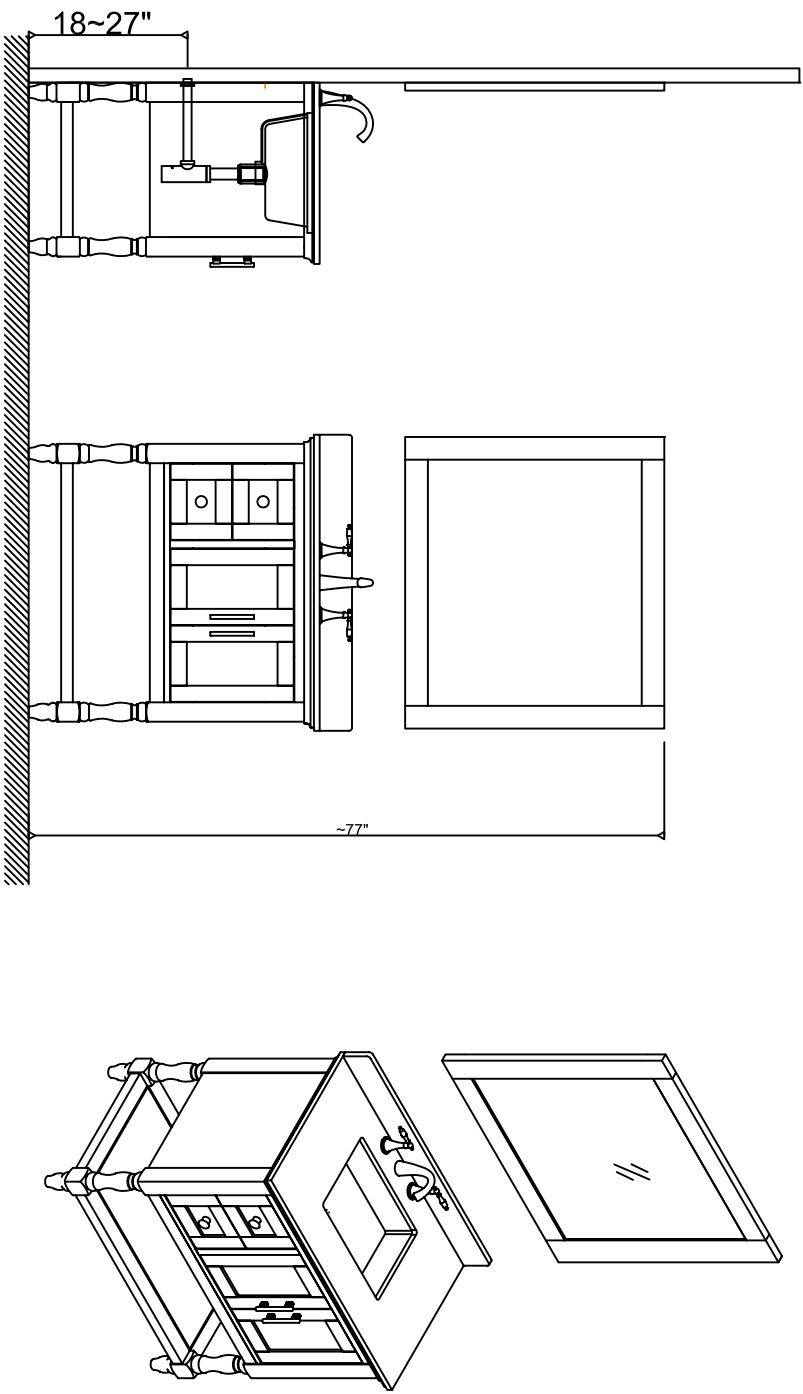
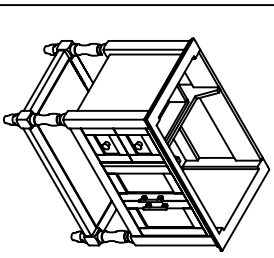


**SKU : MS-3136****SIZE:914x560x900****PROHIBIT COPY**

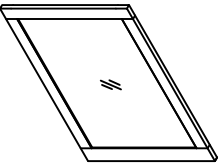
. Prior to installation please check received items against the Packing List Please report any missing items to your local dealer immediately.  
. Protect all surfaces from sharp objects, high heat sources, direct prolonged sunlight and chemical hazards.  
. Professional installation recommended.

**PACKING LIST**

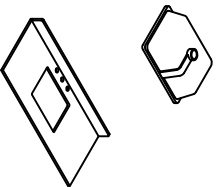
1. Main cabinet



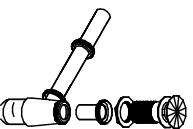
2. Mirror



3. Basin



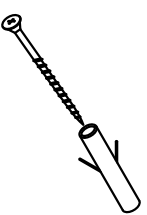
4. Pop up+Drain pipe



5. Faucet



6. Install screw

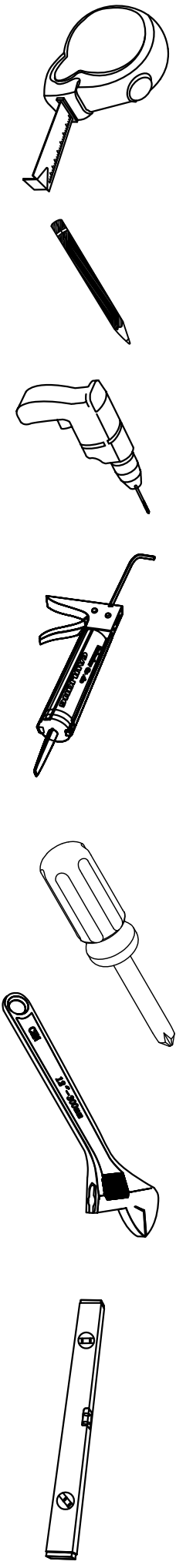


**SKU : MS-3136**

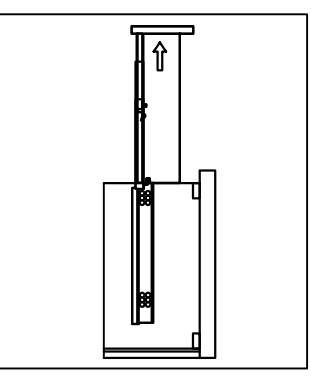
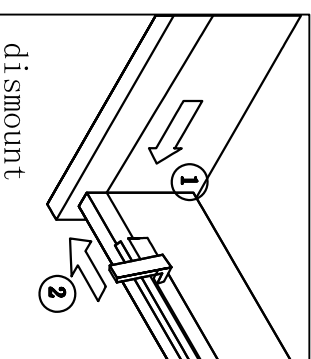
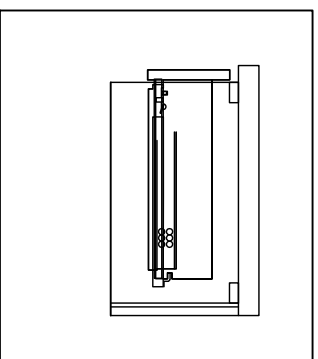
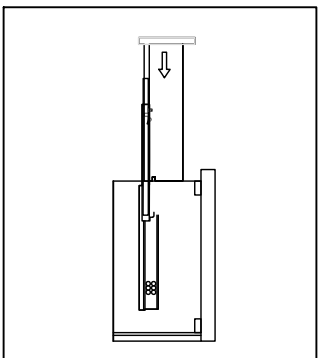
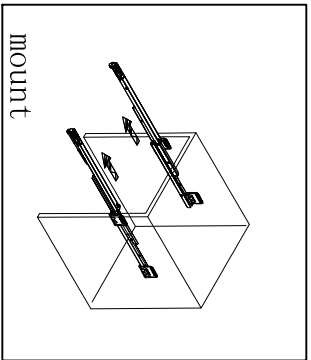
**SIZE:914x560x900**

**PROHIBIT COPY**

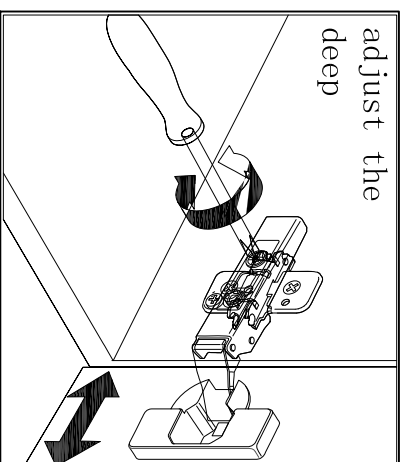
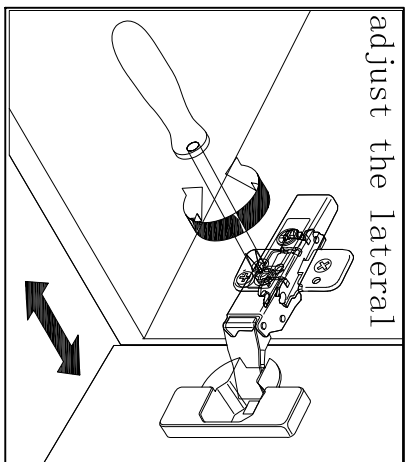
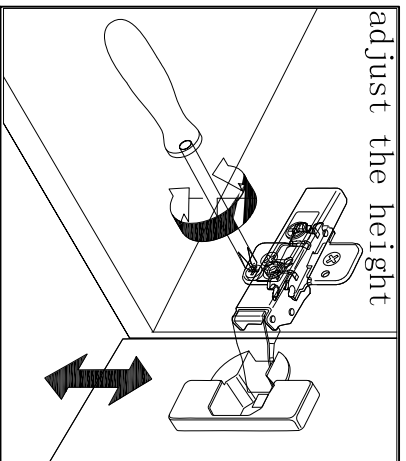
**REQUIRED TOOLS**



**DRAWER SLIDER ATTACHMENT AND DETACHMENT**



**INSTALLATION AND ADJUSTION OF HINGE**



**SKU : MS-3136**

**SIZE:914x560x900**

**PROHIBIT COPY**

