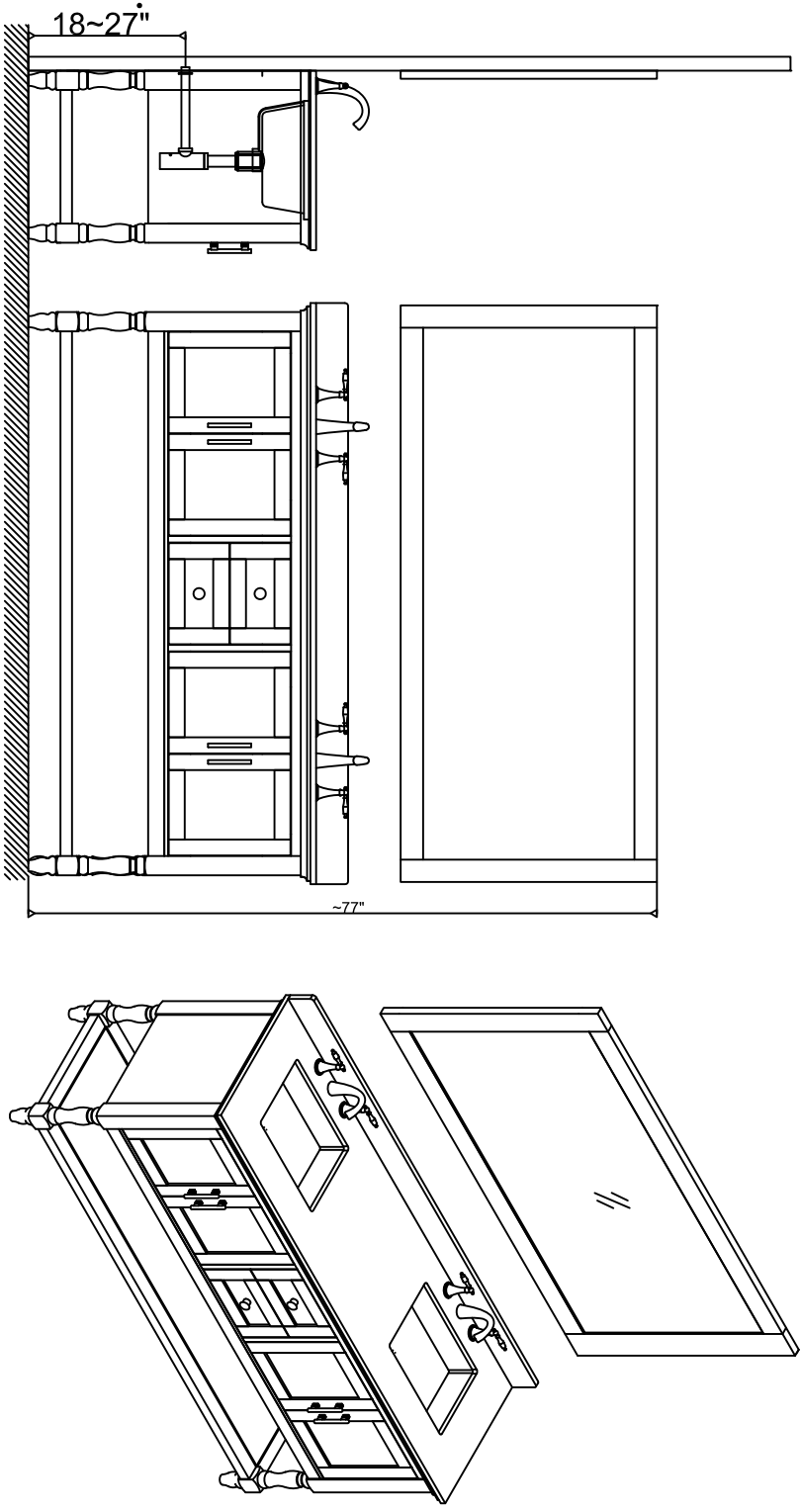


**SKU : MD-3160**
**SIZE:1524x560x900**
**PROHIBIT COPY**

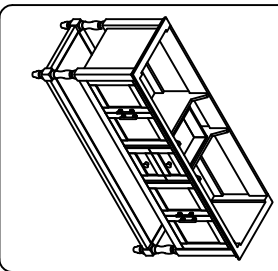
• Prior to installation please check received items against the Packing List Please report any missing items to your local dealer immediately.

• Protect all surfaces from sharp objects, high heat sources, direct prolonged sunlight and chemical hazards.  
• Professional installation recommended.

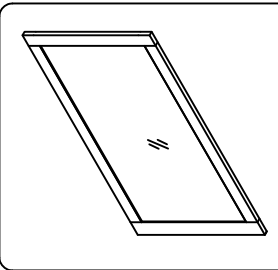


## PACKING LIST

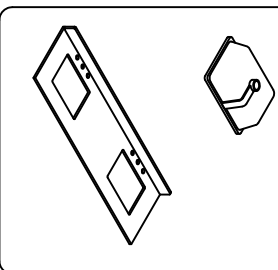
1. Main cabinet



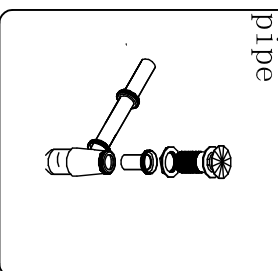
2. Mirror



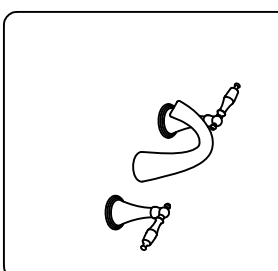
3. Basin



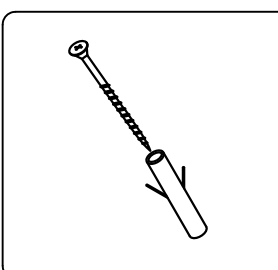
4. Pop up+Drain pipe



5. Faucet



6. Install screw

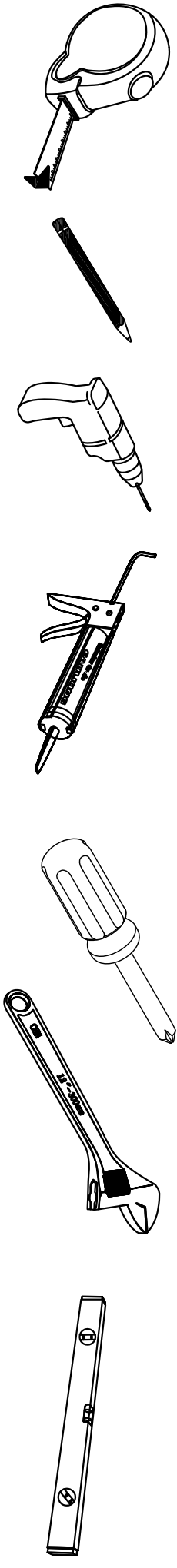


**SKU : MD-3160**

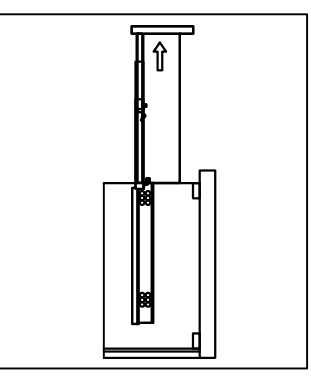
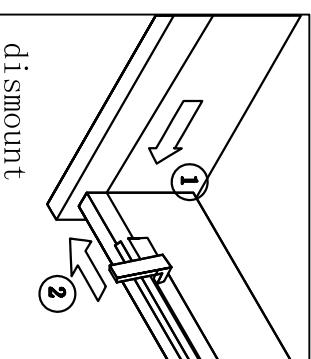
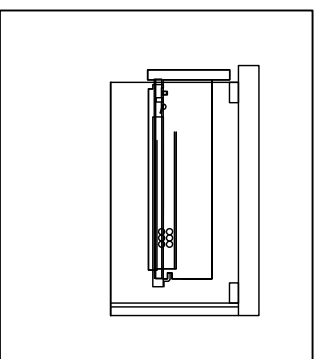
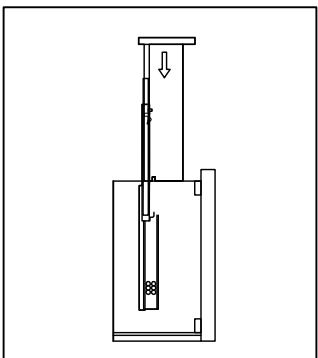
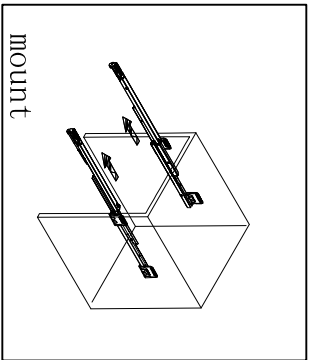
**SIZE:1524x560x900**

**PROHIBIT COPY**

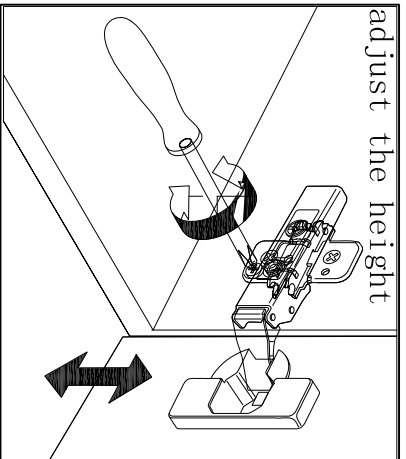
**REQUIRED TOOLS**



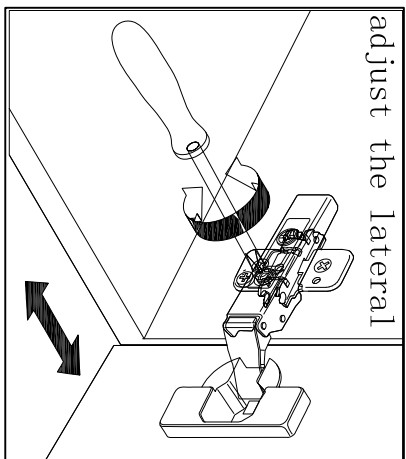
**DRAWER SLIDER ATTACHMENT AND DETACHMENT**



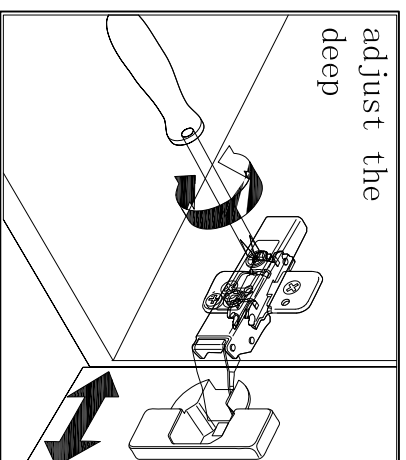
**INSTALLATION AND ADJUSTION OF HINGE**



adjust the height



adjust the lateral



adjust the deep

**SKU : MD-3160**

**SIZE:1524x560x900**

**PROHIBIT COPY**

