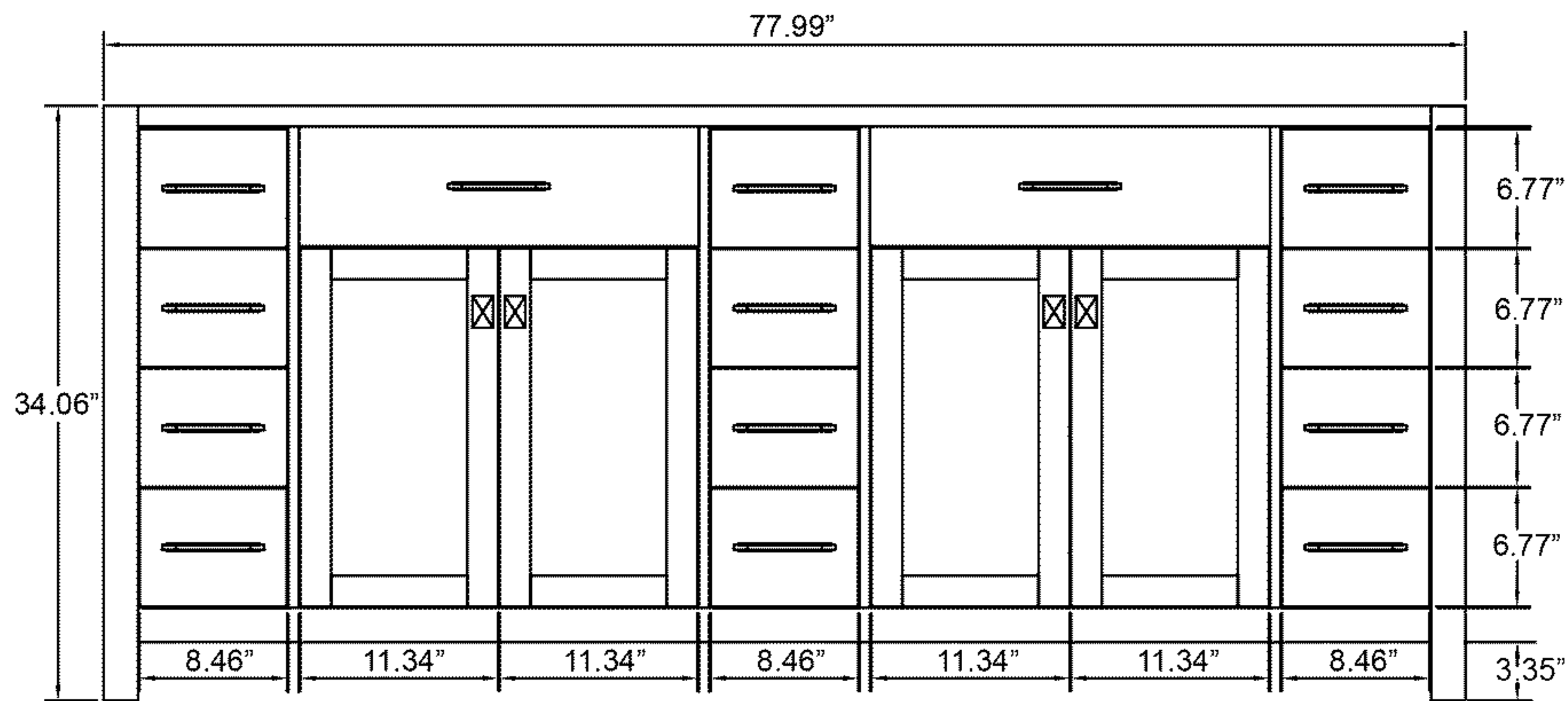
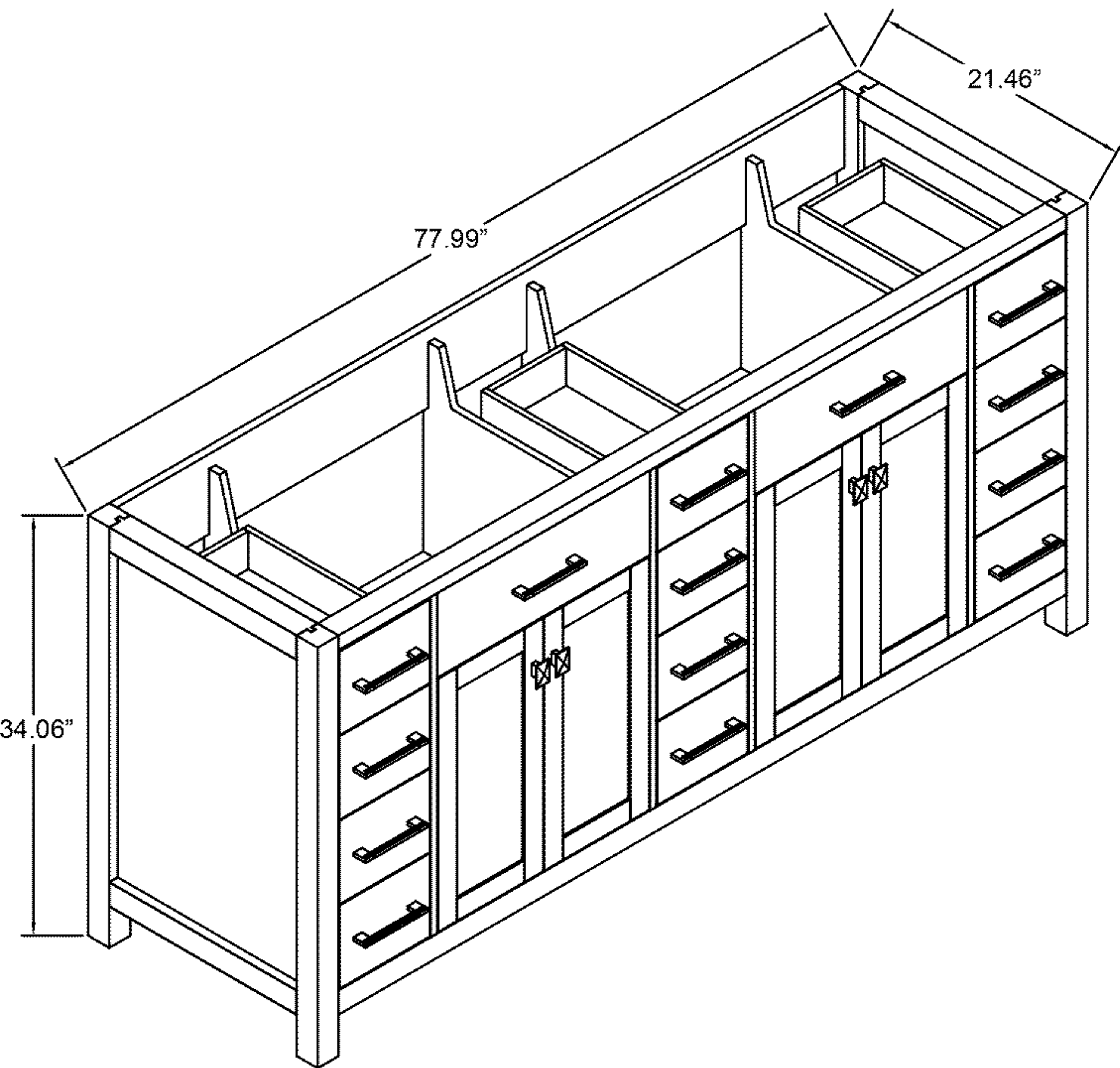




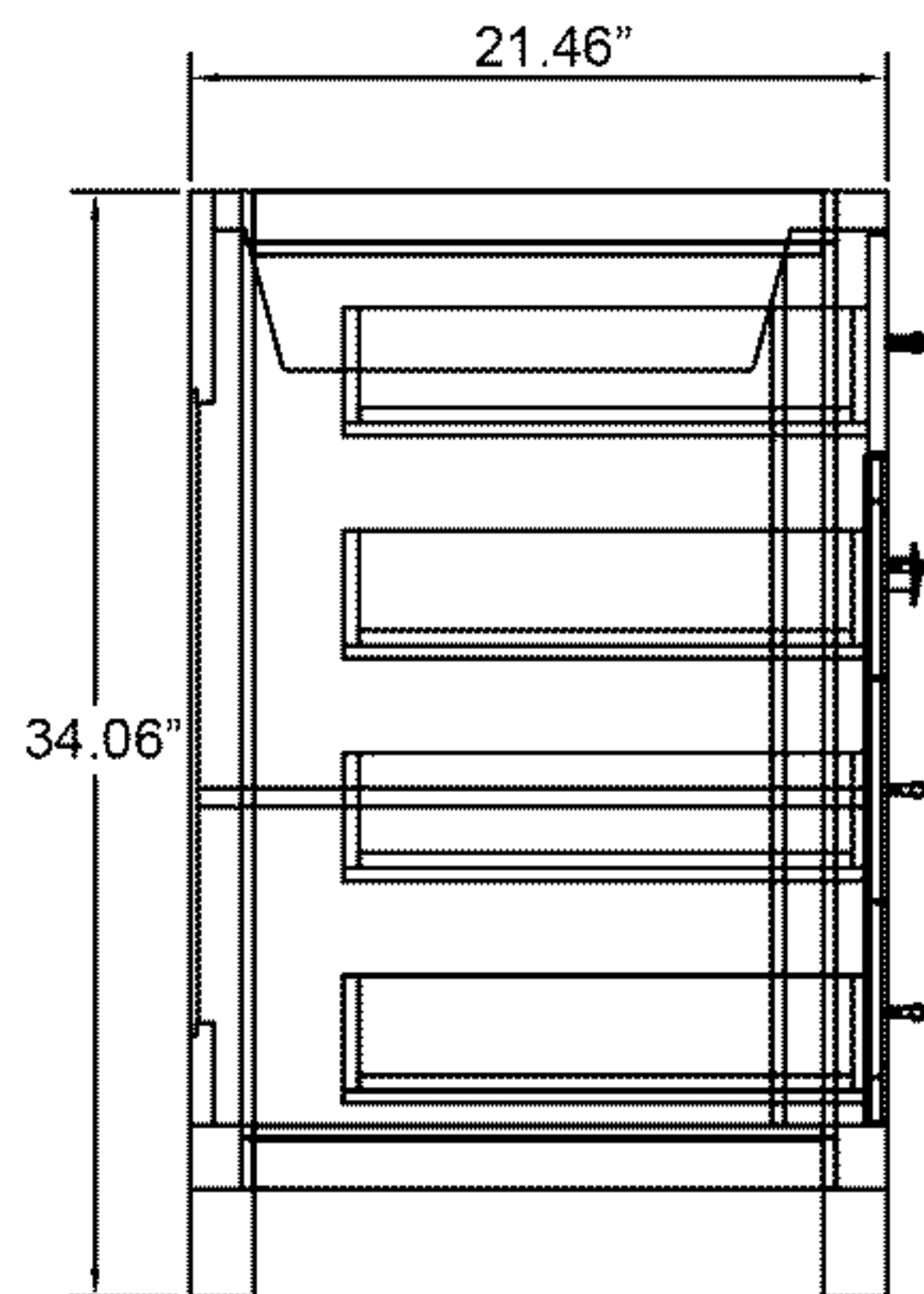
VIRTUUSA

Caroline Parkway 78" MD-2178

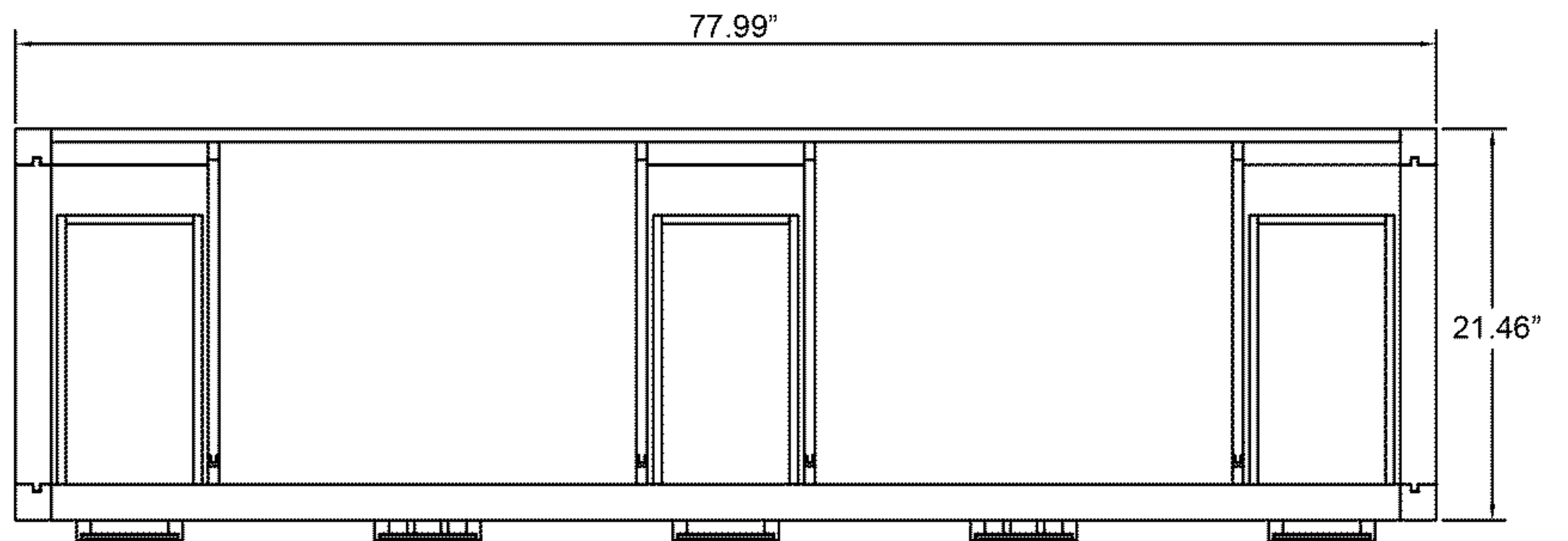
- Check your product package for the "list of standard accessories" and make sure all the accessories in the list are included; if there is a defect/missing parts; please contact the local dealer immediately.
- DO NOT let anything sharp puncture, scrape, or scratch the cabinet surface.
- DO NOT leave any part of the cabinet under direct sunlight; it will cause partial aberrations in the cabinet color.
- DO NOT place hot items on the surface of cabinet directly; insulate with a cushion, if needed.
- DO NOT expose the surface of the cabinet to corrosive liquids, such as: alcohol, banana oil, gasoline, nail polish, acids, alkali, etc.



Front View



Side View



Top View

Virtu USA vanities are hand-crafted and may vary with a minor manufacturing tolerance.

Natural stone characteristics are very subjective and may vary with natural veining, crystallization and lining.