



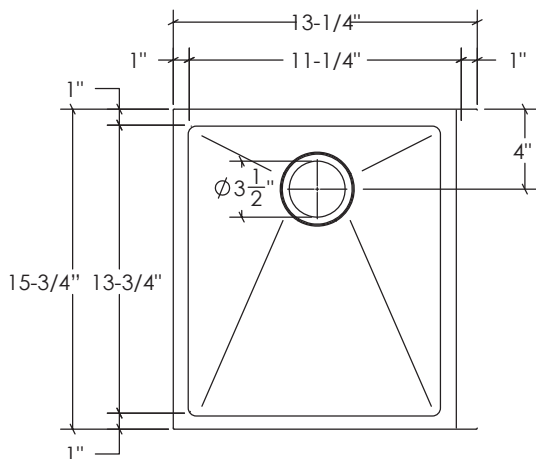
KSS-111

FEATURES:

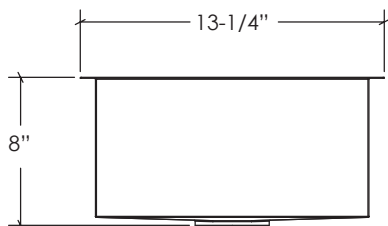
- * Sink Size: 15-3/4" x 13-1/4" x 8"
- * Material: 304 Stainless Steel, 18 Gauge
- * Single Basin Undermount 10mm Radius Sink
- * High Luster finish
- * Strainer Drain Provided
- * Warranty: Limited Lifetime Warranty

CODES / STANDARDS APPLICABLE

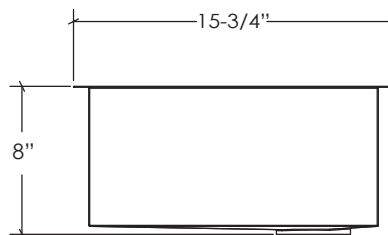
- * CSA B45
- * ASME A112.19.2



TOP VIEW



FRONT VIEW



SIDE VIEW

JOB INFORMATION:

Job Name _____

Date Specified _____

Contractor _____

* Specifications and drawings provided on this sheet are for illustration only. Cantrio Concepts will not be held responsible for cutouts made without the actual product or product template.