

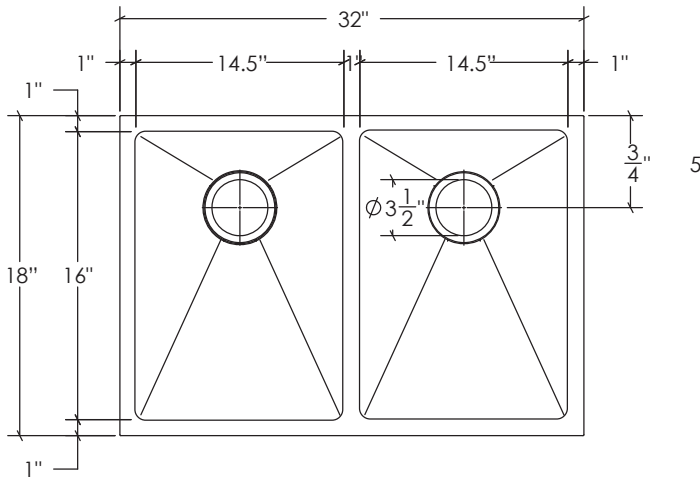
KS-102

FEATURES:

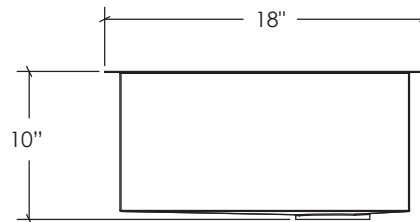
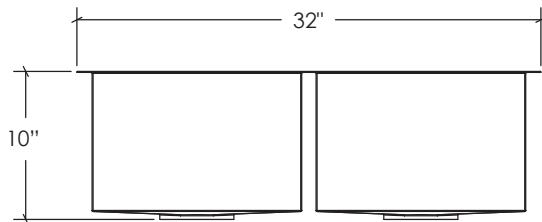
- * Sink Size: 32" x 18" x 10"
- * 10mm Radius
- * Material: 304 Stainless Steel, 18 Gauge
- * Chrome Nickel content 18 / 10
- * Double Basin Undermount
- * Strainer Drain Provided
- * Warranty: Limited Lifetime Warranty

CODES / STANDARDS APPLICABLE

- * CSA B45
- * ASME A112.19.2



TOP VIEW



JOB INFORMATION:

Job Name _____
 Date Specified _____
 Contractor _____

* Specifications and drawings provided on this sheet are for illustration only. Cantrio Koncepts will not be held responsible for cutouts made without the actual product or product template.