



INSTALLATION GUIDE FOR ALL APRON SINKS



INSTALLATION INSTRUCTIONS



ATTENTION INSTALLER

Please carefully read our installation guide prior to installation. Make sure you have observed your local plumbing and building codes thoroughly before you begin.

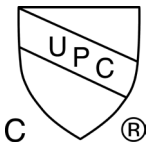
- Metal edges may be sharp, please use caution when handling. You should always wear gloves.
- Carefully unpack your new sink and make sure all necessary parts are included (sink, mounting brackets and cutting template). If any items are missing, contact us within 5 days of delivery.
- Inspect your sink for any signs of damage prior to installation. Please do not install a damaged sink.
- Installation of the sink must be completed by a professional licensed plumber.
- The warranty will be voided if the installation instructions are not followed.
- Requirements vary for installation in granite, quartz, marble, laminate, stone or butcher block tops.
- Template is provided only for reference, carefully measure the actual sink for an accurate cut out.
- Please discuss the desired finished appearance with your customer prior to installation.
- Exclusive Heritage apron sinks should only be installed onto a solid surface countertop.
- Exclusive Heritage is not responsible for damage to the sink, countertop, plumbing or any other fixtures caused by improper installation.
- Appropriate clearances must be accounted for to accommodate backsplashes, faucets and plumbing.
- Any excess silicone adhesive around the sink must be removed and cleaned immediately.
- Always wear proper safety gear to protect yourself from injury.

CUSTOMER SUPPORT

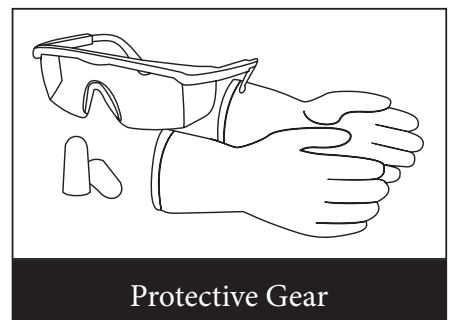
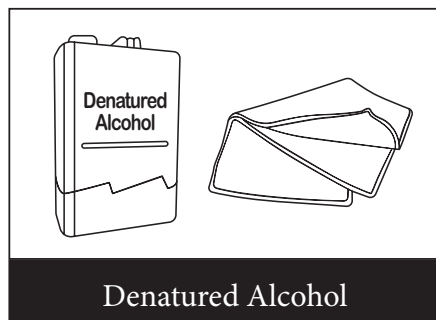
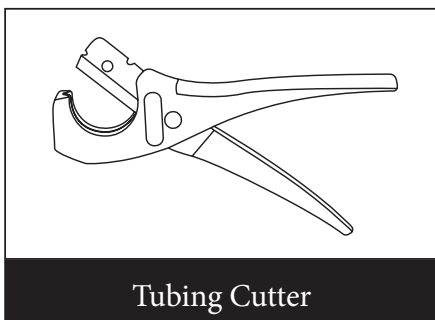
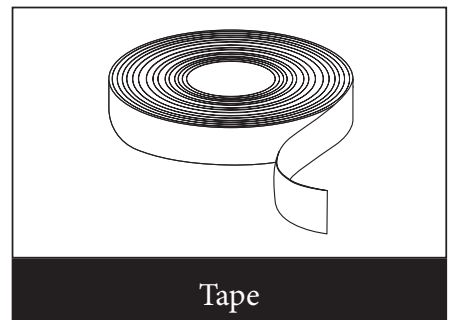
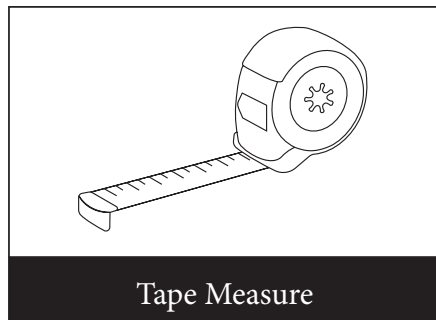
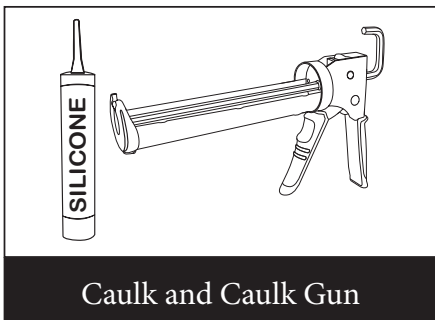
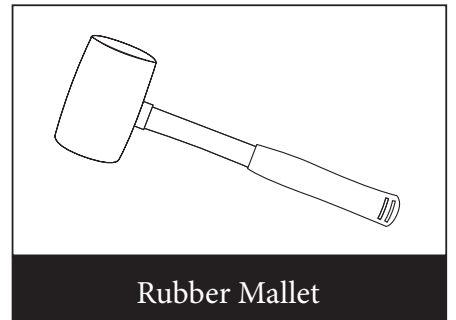
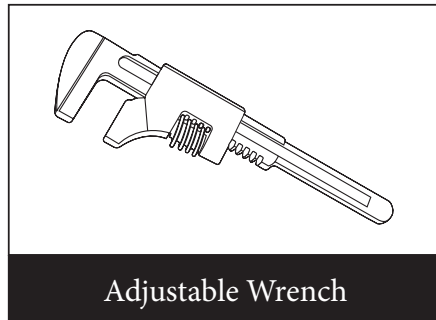
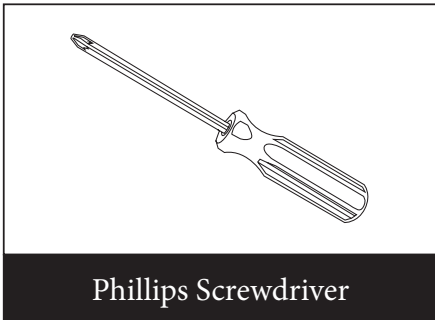
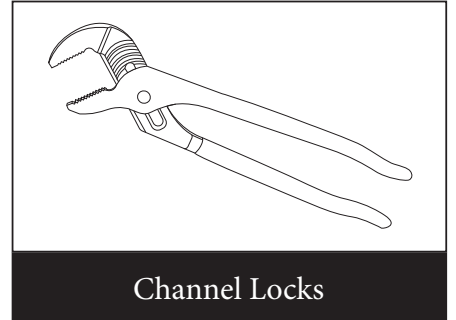
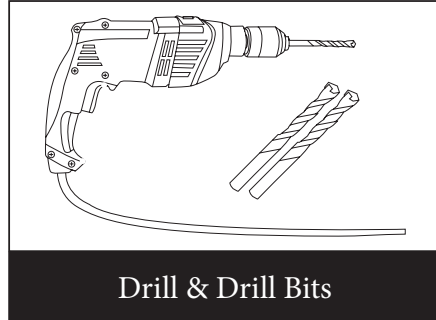
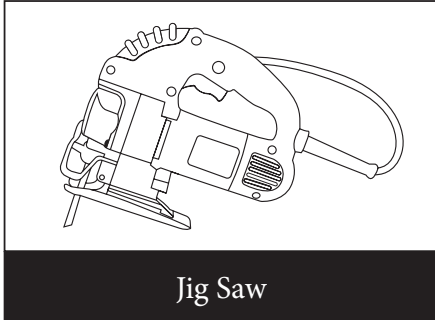
For questions and comments, please contact us at support@ehhomeusa.com.


To learn more about Exclusive Heritage or our product line, you can visit our website at <http://www.exclusiveheritageusa.com>.

NOTE: This installation manual is specifically written for both single and double apron sinks.



RECOMMENDED TOOLS AND MATERIALS NEEDED



 Please always wear personal safety devices for your protection and use proper tools for installation.

APRON SINK APPLICATION

STEP 1 - CHOOSE A MOUNTING STYLE

Exclusive Heritage apron sinks are designed to be installed with the front of the sink protruding out about 3/4" beyond the front countertop edge. Choose a mounting style from Figure A, B or C. Discuss the best mounting style with your customer as counter design can vary.

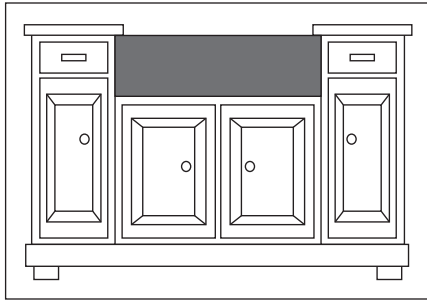


Figure A - Apron

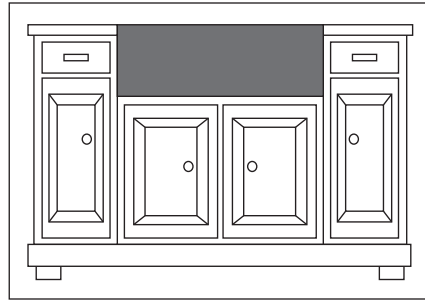


Figure B - Flush Mount

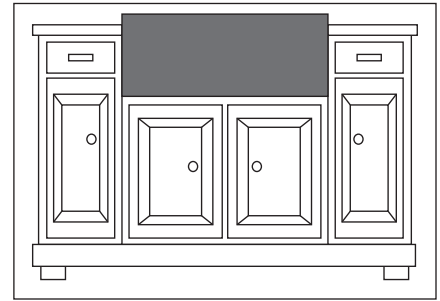


Figure C - Built-Up Mount

STEP 2 - CHOOSE APRON REVEAL OPTIONS

Once a mounting style has been determined, choose the reveal length option based on your aesthetic preference. The sink may protrude 1/4" to 1 1/4" outward. (Figure 2.1, Figure 2.2)

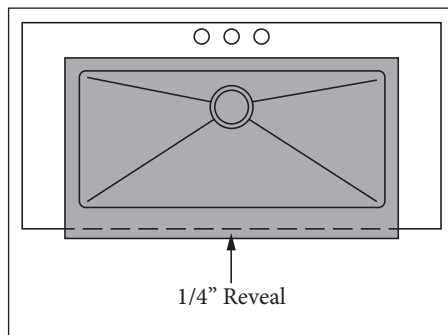


Figure 2.1

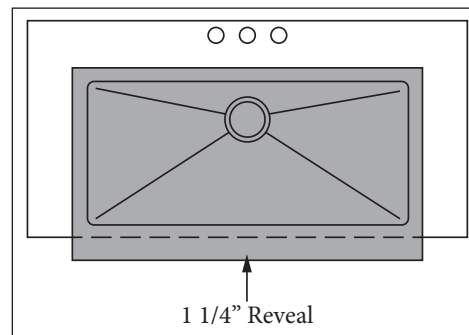


Figure 2.2

STEP 3 - BUILD A SINK BASE CABINET SUPPORT

Exclusive Heritage apron sinks requires a solid supporting structure with crossbeams or plywood built inside the cabinet. The frame should be able to support a minimum weight of 195 pounds. Allow enough spaces for routing plumbing, drain pipe, garbage disposal, electrical access, etc.

(Figure 3)

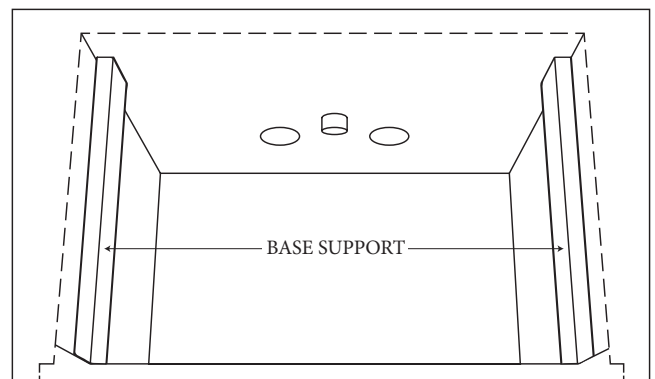


Figure 3

APRON SINK APPLICATION

STEP 4 - CREATE TEMPLATE AND CUTOUT

For best finish, a proper template and cutout for the countertop is recommended. Exclusive Heritage provides a generic template as a guide only, carefully measure the actual sink for an accurate cut out.

(Figure 4)

- For the apron option, a 1/4" reveal is recommended.
- For the flush mount or built-up mount styles, use the outside edges of the sink profile for tracing the lines to create the countertop cutout.
- Measure the sink outline again to verify proper dimensions before cutting the template.

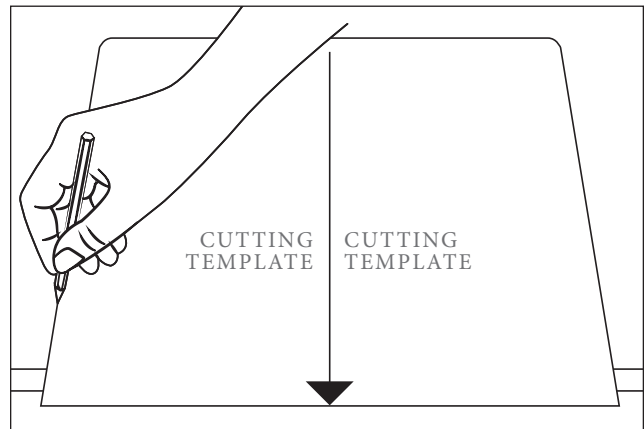


Figure 4

STEP 5 - DRY FIT SINK & MAKE ADJUSTMENT

- Before making final installation, dry fit the sink to ensure proper fitting with the frame support and cabinet. Do not apply caulking during this process. (Figure 5)
- Check leveling and make adjustments as necessary.

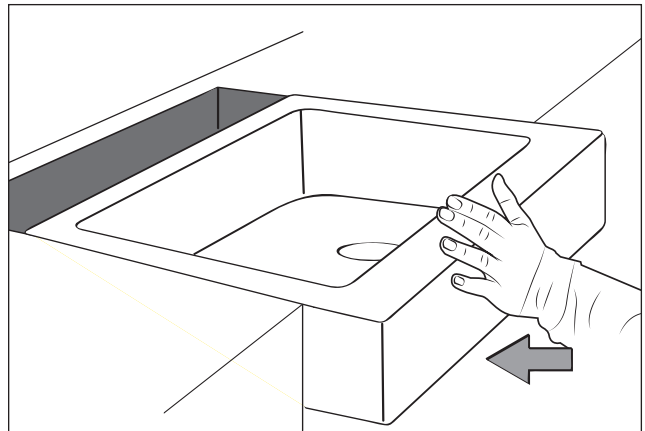


Figure 5

STEP 6 - SET THE SINK AND INSTALL COUNTERTOP

- Apply sealant around the cabinet's supporting frame where the sink will be placed. (Figure 6.1)
- Place the sink into the opening or front cutout of the cabinet. Check for proper leveling and adjust as necessary.
- Using a rag and small amount of denatured alcohol (cleaning agent not supplied) to clean the top rim or flange surface of the sink. Also clean the bottom side of the countertop around the sink cutout area to remove all dust and dirt.

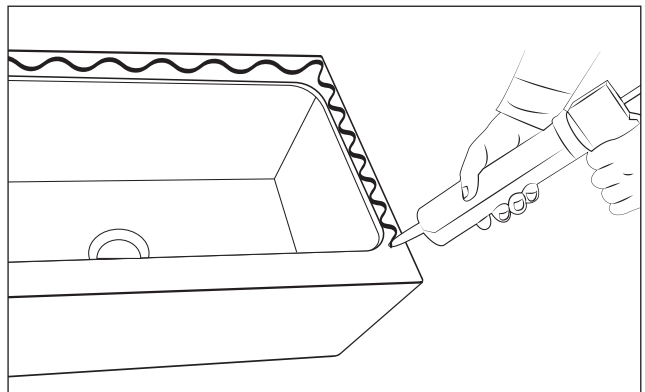


Figure 6.1

APRON SINK APPLICATION

STEP 6 (CONTINUED)

A) For the apron option, apply small beads of silicone adhesive around the top edge of the sink. (Figure 6.2)

- Place and align the countertop on top of the sink. With a rubber mallet gently tap the countertop in place.
- Some silicone adhesive may squeeze out around the sink edges. Promptly clean up any excess by following the instruction on the sealant's label.

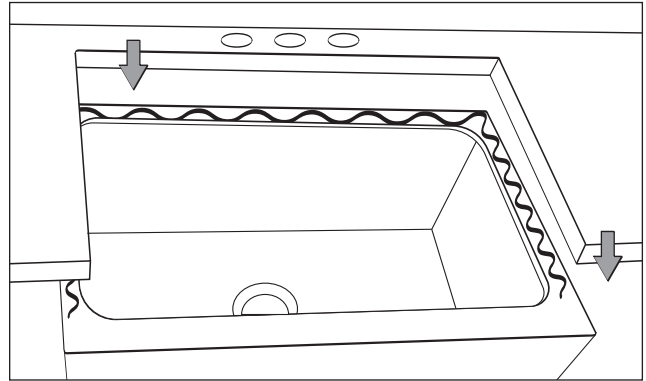


Figure 6.2

B) For the flush mount and built-up mount options, DO NOT apply silicone adhesive around the top of the sink. (Figure 6.3)

- Place and align the countertop opening around the sink edges.
- Apply silicone adhesive in between the countertop and the sink edges. Fill any gaps as necessary.
- Promptly clean up any excess by following the instruction on the sealant's label.

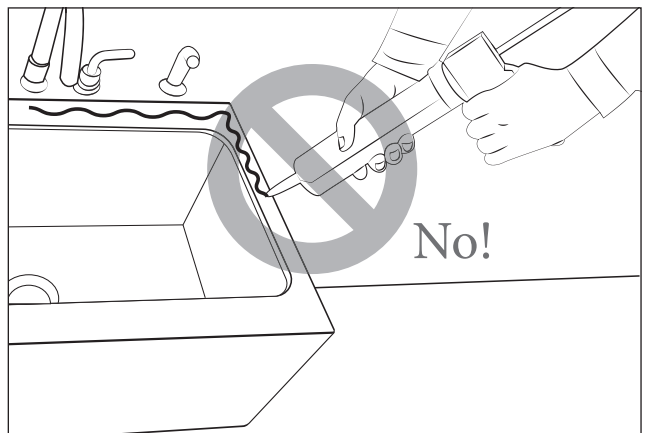


Figure 6.3

STEP 7 - INSTALL PLUMBING AND CHECK LEAKS

Once ample of time is given for the sealant to cure, install garbage disposal, drain pipe, etc.

- Run a small amount of water first to check for leaks. (Figure 7)
- Make proper adjustments or repairs if leaks are found.

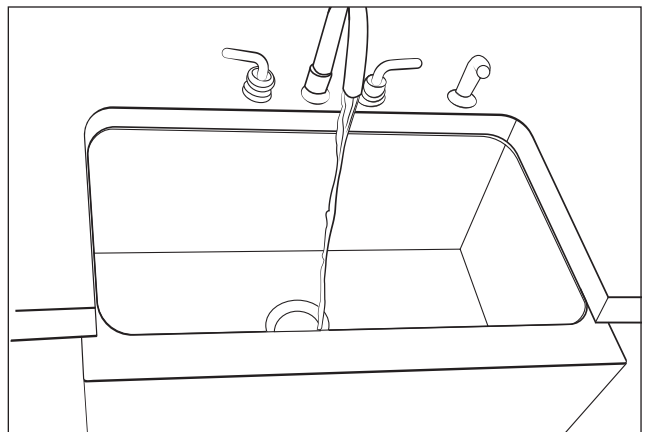


Figure 7

STAINLESS STEEL STRAINER

1 OPEN / CLOSE STOPPER

2 STRAINER BASKET

3 STRAINER BODY

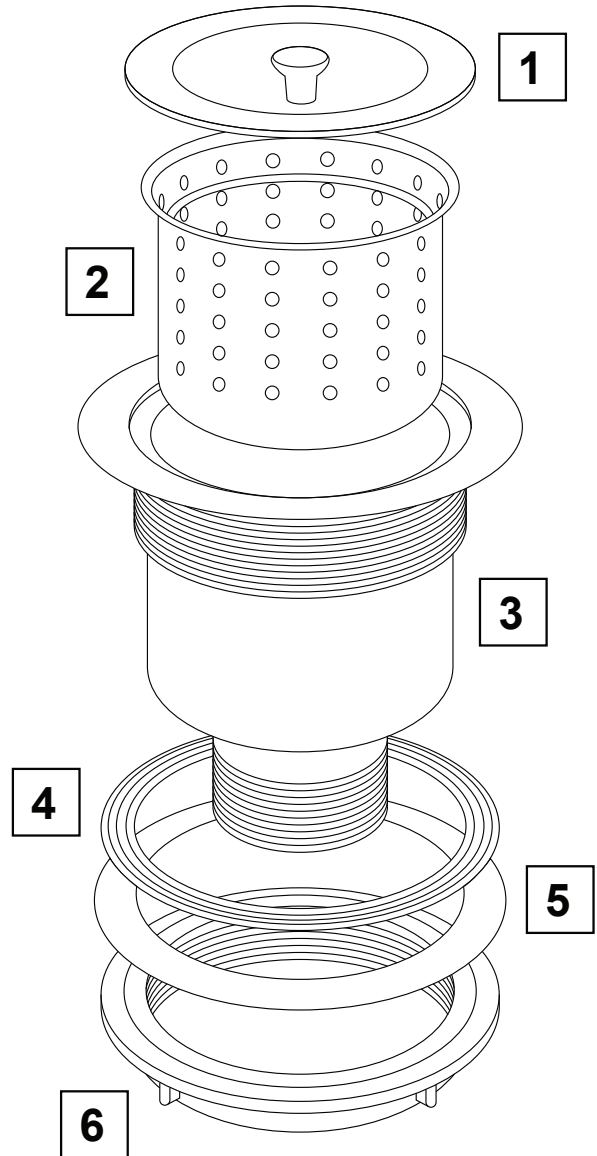
4 RUBBER GASKET

5 PAPER WASHER

6 LOCKNUT

T304

PREMIUM
STAINLESS
STEEL



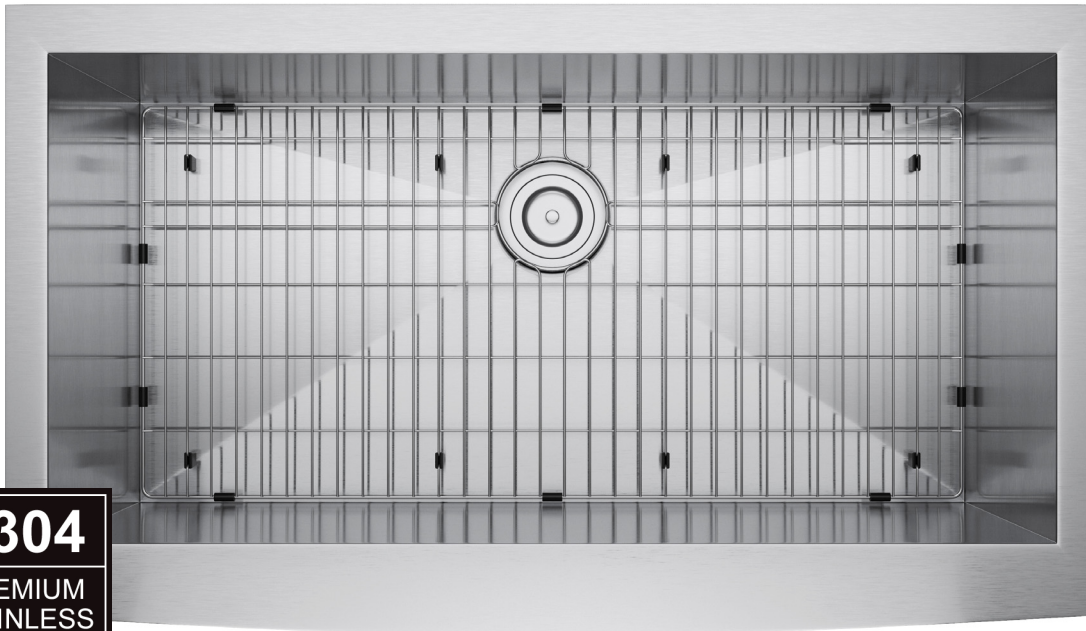
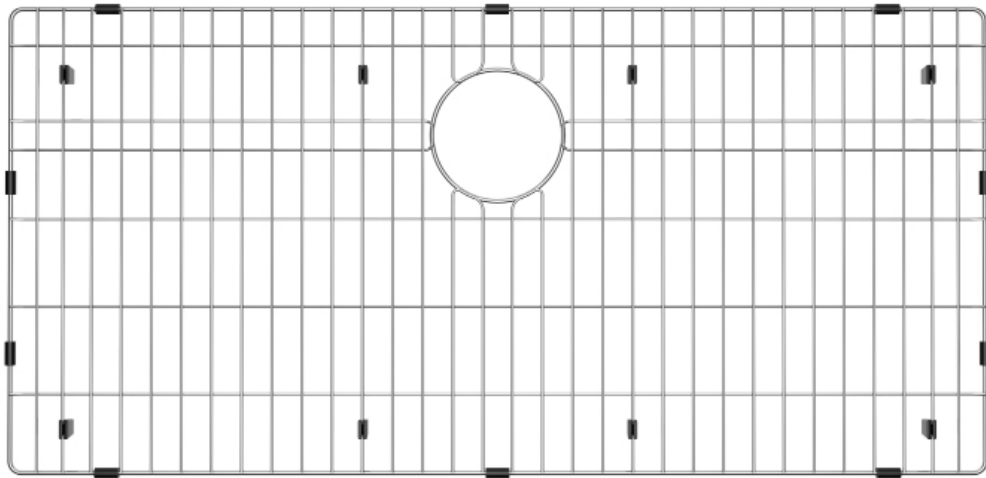
NOTE:

- Installation of the strainer must be completed by a professional licensed plumber.
- Always wear proper safety gear to protect yourself from injury.

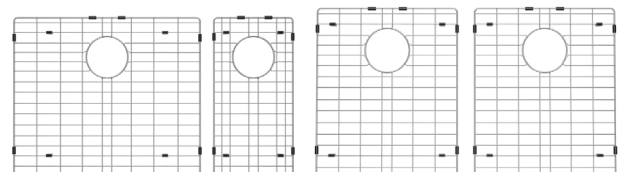
For questions and comments, please contact us at support@ehhomeusa.com. To learn more about Exclusive Heritage or our product line, you can visit our website at <http://www.exclusiveheritageusa.com>.

STAINLESS STEEL BOTTOM GRIDS

- T304 premium grade stainless steel construction
- Rubber feet bumpers provide added protection
- Chrome polished stainless steel
- Protect sink surface from scratches
- Dishwasher and hygienic safe
- Limited lifetime warranty



T304
PREMIUM
STAINLESS
STEEL
★★★★★



Available in various sizes for both single and double sinks

OUR STORY

The late 1930's and early 1940's were a period of turmoil and uncertainty. Many of the lifelong dreams of hard working men and women came crashing down as World War II took its toll.

My grandfather was one of many men who took pride in what he could create with his bare hands, his vision and his imagination. As an accomplished carpenter for most of his life, he knew the characteristics of great furniture making. He appreciated detail, fine tools, intricate inlays and master craftsmanship.

He spent decades carefully crafting piece after piece for sale in a popular furniture store. He saved his money in hopes of one day creating his own furniture line. Like many businesses of his time, he was never able to fulfill his dreams due to the economic and business hardships faced by many families.

Each family had a different hardship story to tell. My grandfather remembers the day a bomb went off in his building and he witnessed the destruction of many buildings in the city where he lived. There was no food for days and many families suffered.

While his dream never materialized, his vision and timeless secrets have been passed down to a new generation dedicated to seeing his dream come true. Exclusive Heritage is the 'must have' collection of artistic brilliance and restored elegance. It includes a wide selection of furniture and each piece has a story to tell and a life all its own.

When you invest in furniture and accessories through Exclusive Heritage, you are among the discriminating buyers across the globe who choose shapely pieces, fine detailed lines and unique stylings over mass production and common materials.

PASSION AND MISSION

A new generation has vowed to honor the vision and dreams of their loved ones by bringing their treasured family secrets alive again. They embraced their motivation for design by creating classic and modern fused pieces that can become part of your family history and traditions. They understand that master craftsmanship is an art as much as a science. It comes from the beauty of one man's eyes and his vision for something greater than to fill up the space in a corner. It is a conversation piece and keepsake all at the same time.

It is a great honor to carry out the mission and vision of my grandfather as well as the dreams of many men from that era in time. As we bring closure to their dreams, we also create new ones for our own generation and those that follow.





OUR PRODUCTS

There are so many interesting ways to bring together today's tools with our traditional craftsmanship skills. Imagine how inspiring the creations must be.

We value quality, history and elegance to bring you today's diverse product lines. Although each piece is unique, it carries the tradition of the noble pursuit of my grandfather and others of his same generation. When you see our new furniture and fixture line, you are instantly reminded of a time where the primary motivation in creation was to take your breath away with designs, carvings and details of timeless elegance and beauty.

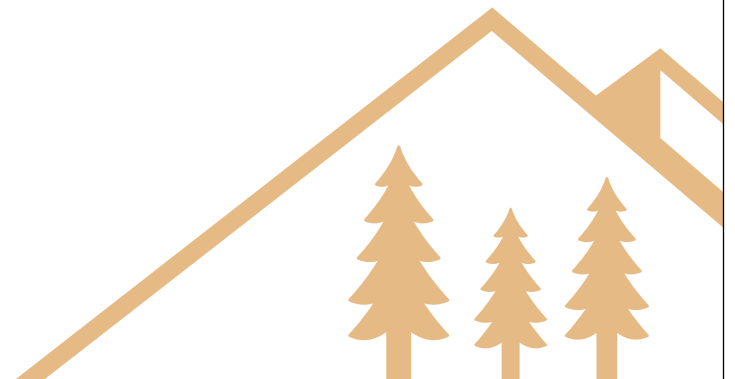
Our unique home improvement products are perfectly suited for those who have an appreciation for well built traditional furniture and fixtures of past generations, yet updated and exquisitely designed to fit into today's modern built homes.

GIVING BACK

While we are passionate about customized furniture and home furnishing creations, we are also committed to extend a helping hand to those in need.

We have sponsored with the No Kid Hungry program where meals are hand delivered to hungry kids. With 1 in 5 kids in America suffering from hunger, it is a great privilege to support this organization which does so much for kids in need. It is a great way to honor my grandfather's memory by giving back to a cause close to our hearts.

By supporting this cause, we hope to change the cycle of poverty that perpetuates when the basic needs of kids are not being met. We are committed to delivering 2,400 meals in our first year to this exceptional program and will increase our contribution as our company grows.





EXCLUSIVE
HERITAGE