



EXCLUSIVE
HERITAGE

INSTALLATION GUIDE
FOR ALL TOP MOUNT SINKS



INSTALLATION INSTRUCTIONS



ATTENTION INSTALLER

Please carefully read our installation guide prior to installation. Make sure you have observed your local plumbing and building codes thoroughly before you begin.

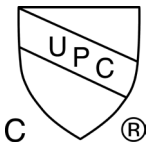
- Metal edges may be sharp, please use caution when handling. You should always wear gloves.
- Carefully unpack your new sink and make sure all necessary parts are included (sink, mounting brackets and cutting template). If any items are missing, contact us within 5 days of delivery.
- Inspect your sink for any signs of damage prior to installation. Please do not install a damaged sink.
- Installation of the sink must be completed by a professional licensed plumber.
- The warranty will be voided if the installation instructions are not followed.
- Requirements vary for installation in granite, quartz, marble, laminate, stone or butcher block tops.
- Template is provided only for reference, carefully measure the actual sink for an accurate cut out.
- Please discuss the desired finished appearance with your customer prior to installation.
- Exclusive Heritage top mount sinks should only be installed onto a solid surface countertop.
- Exclusive Heritage is not responsible for damage to the sink, countertop, plumbing or any other fixtures caused by improper installation.
- Appropriate clearances must be accounted for to accommodate backsplashes, faucets and plumbing.
- Any excess silicone adhesive around the sink must be removed and cleaned immediately.
- Always wear proper safety gear to protect yourself from injury.

CUSTOMER SUPPORT

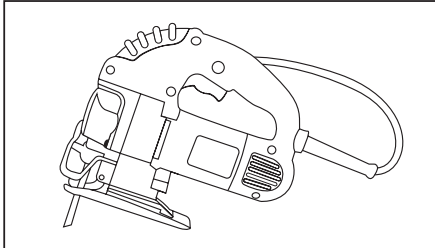
For questions and comments, please contact us at support@ehhomeusa.com.

To learn more about Exclusive Heritage or our product line, you can visit our website at <http://www.exclusiveheritageusa.com>.

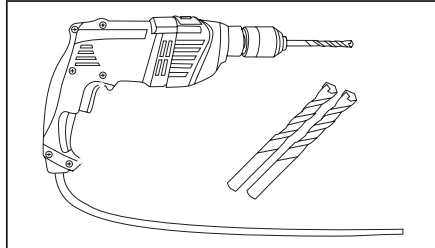
NOTE: This installation manual is specifically written for both single and double top mount sinks.



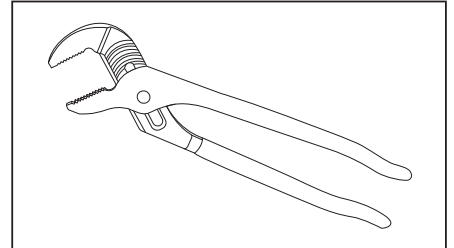
RECOMMENDED TOOLS AND MATERIALS NEEDED



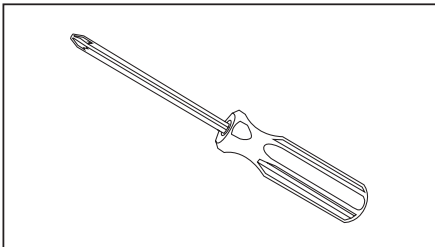
Jig Saw



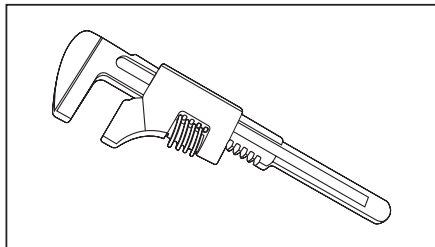
Drill & Drill Bits



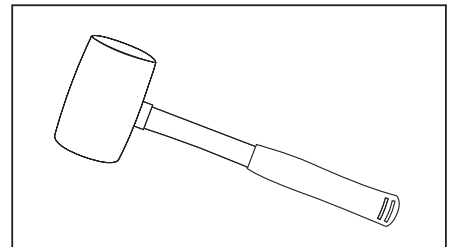
Channel Locks



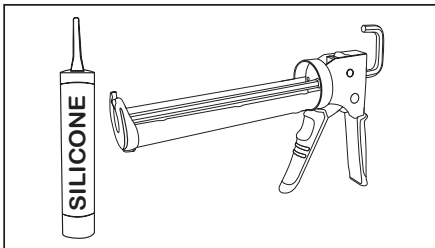
Phillips Screwdriver



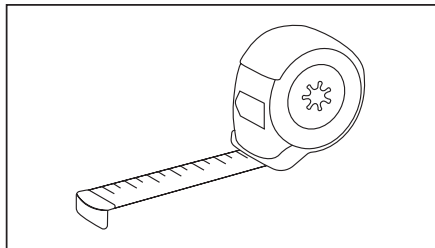
Adjustable Wrench



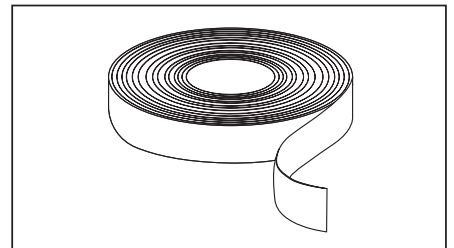
Rubber Mallet



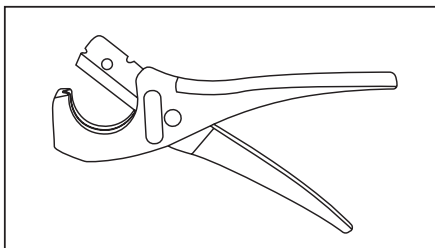
Caulk and Caulk Gun



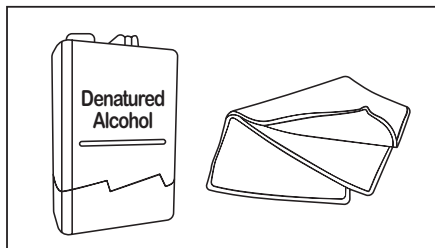
Tape Measure



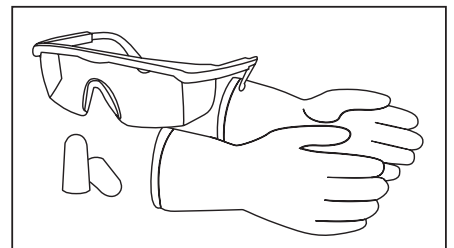
Tape




Tubing Cutter



Denatured Alcohol



Protective Gear

 Please always wear personal safety devices for your protection and use proper tools for installation.

TOP MOUNT SINK APPLICATION

STEP 1 - CHECK FLATNESS OF COUNTERTOP & CABINET CLEARANCES

Exclusive Heritage top mount sinks are designed to be installed as a “drop in” via an opening on the countertop. Therefore, the countertop is normally installed first. (Figure 1)

- Use a level to check that the countertop is reasonably flat.
- Verify adequate cabinet clearances to allow installation of plumbing, drain pipes, garbage disposal, strainer, faucet, etc.

STEP 2 - CREATE CUTOUT TEMPLATE

For best finish, a proper template and cutout for the countertop is recommended. Exclusive Heritage provides a generic template as a guide only. Use a pencil to create an accurate outline template.

- Place the sink upside down. Use a pencil to create the rim outline. (Figure 2.1, Figure 2.2)
- Remove the sink and use a straight edge ruler to create an inner 5/16” setback around the perimeter of the rim outline. The inner setback cutout line should be smaller than the rim outline. (Figure 2.3)
- Measure the sink outline again to verify proper dimensions before cutting the template for final countertop cutout.

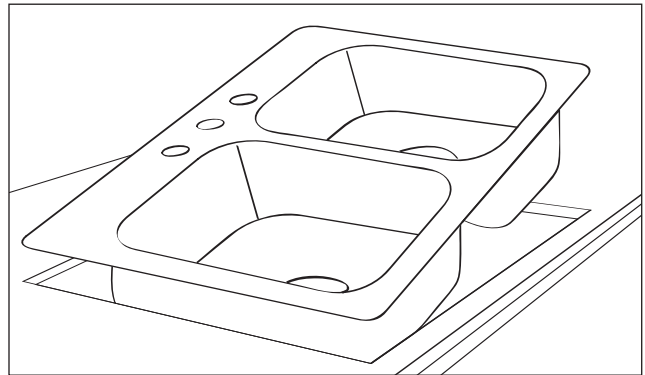


Figure 1

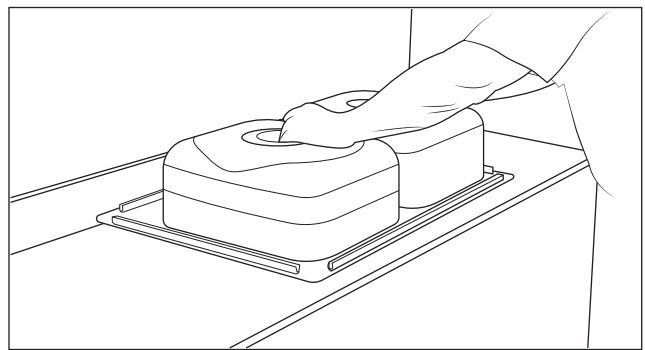


Figure 2.1

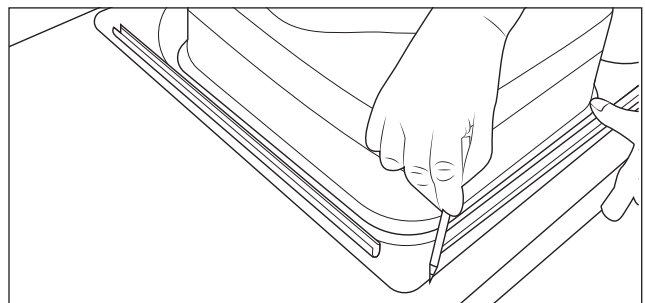


Figure 2.2

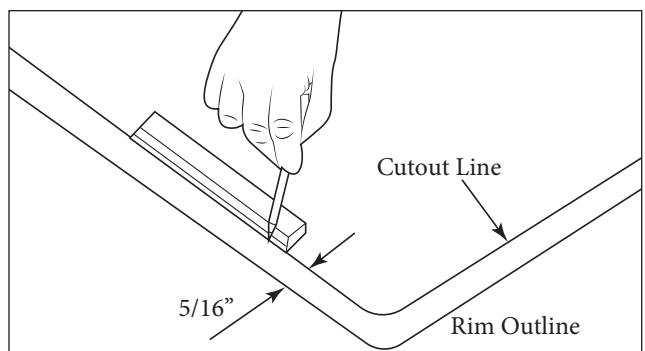


Figure 2.3

TOP MOUNT SINK APPLICATION

STEP 3 - CUTOUT COUNTERTOP & DRY FIT

- Drill a starter hole near the cutout line. The drill hole must be large enough to allow the jigsaw blade to fit through. (Figure 3.1)
- Use a jigsaw with appropriate saw blade to cut the countertop opening along the cutout line. Different countertop materials may require different cutting method. Professional consultation is recommended. (Figure 3.2)
- Dry fit the sink by dropping it through the opening and make any adjustment if necessary.
- The sink should sit flush with the countertop.

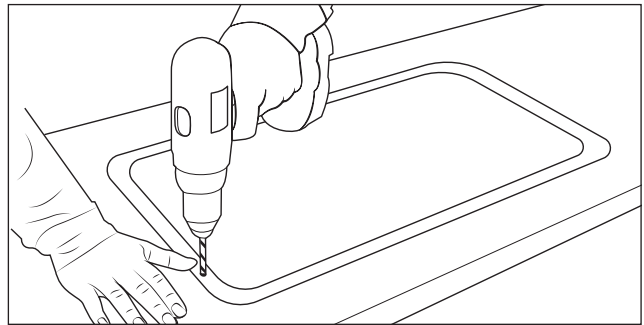


Figure 3.1

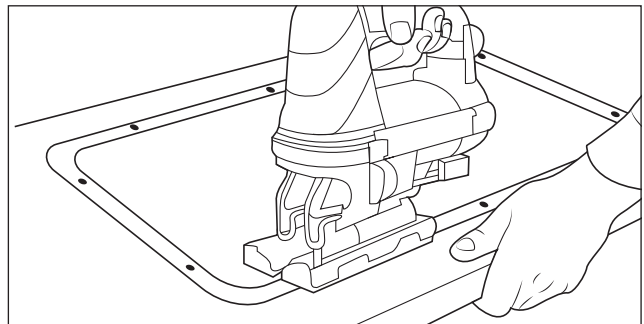


Figure 3.2

STEP 4 - INSERT MOUNTING BRACKETS AND FASTENERS TO SINK

Exclusive Heritage top mount sink has built-in “U” channels on the underside of the sink for mounting brackets or clips. The mounting brackets and fasteners are designed to clamp the sink edge to the countertop for a stronger support.

- Insert the brackets and fasteners into the U-channels around the underside of the sink rim. The brackets should be placed near the four corner as well as the center. (Figure 4.1, Figure 4.2)
- Do not tighten the screws at this point.
- Apply a bead of silicone adhesive along the edge of the hole in the countertop.

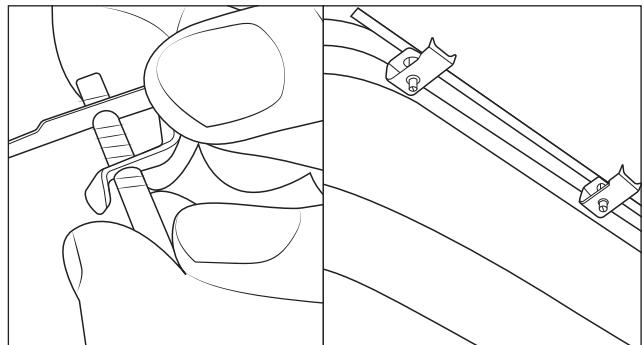


Figure 4.1

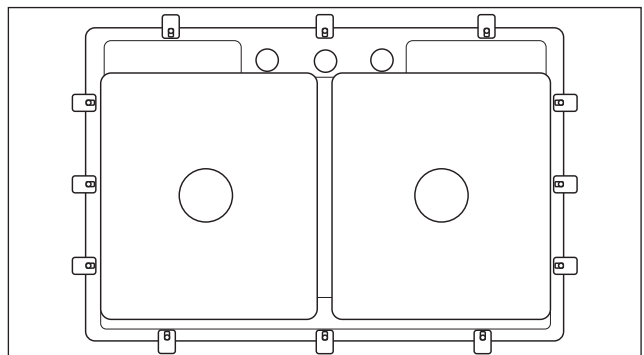


Figure 4.2

TOP MOUNT SINK APPLICATION

STEP 5 - INSTALL TOP MOUNT SINK ON COUNTERTOP

- Use a rag and denatured alcohol to clean the top edge of the countertop opening. Also clean the underside rim of the sink to remove any dirt or residues. (Figure 5.1)
- Apply a small bead of silicone caulk around the countertop opening where the sink rim overlaps the countertop.
- Place the sink into the opening and align the sink evenly around all four edges. (Figure 5.2)
- From the underside of the sink, carefully rotate and snap all brackets in place against the underside of the countertop (a flashlight might be handy). Slightly tighten the fasteners by hand to prevent brackets from moving.
- Ensure all four edges are evenly spaced. With a screw driver, tighten all screws from underside of the sink. Do not over-tighten. (Figure 5.3)
- Promptly clean all excess caulking materials around the top rim by following the cleaning direction printed on the caulking label.

STEP 6 - INSTALL PLUMBING AND CHECK LEAKS

Once ample of time is given for the silicone to cure, install garbage disposal, drain pipe, strainer, faucet, etc.

- Run a small amount of water first to check for leaks. (Figure 6)
- Make adjustments or repairs as necessary.
- Re-apply silicone caulk around the sink perimeter to seal any gaps.

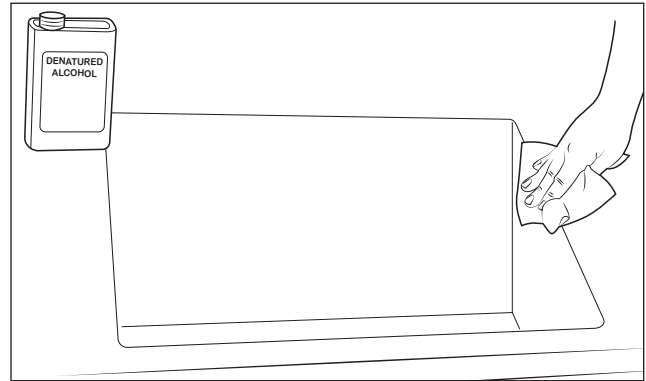


Figure 5.1

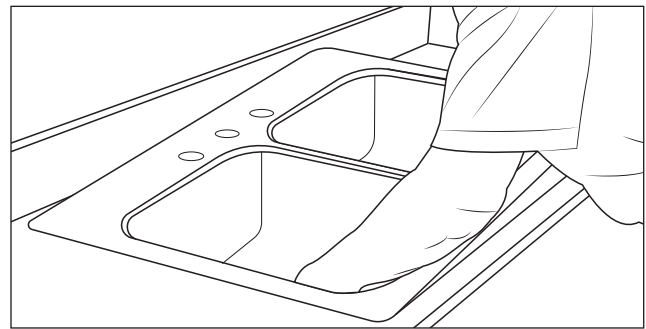


Figure 5.2

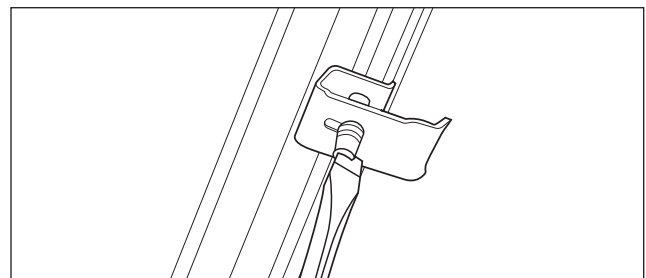


Figure 5.3

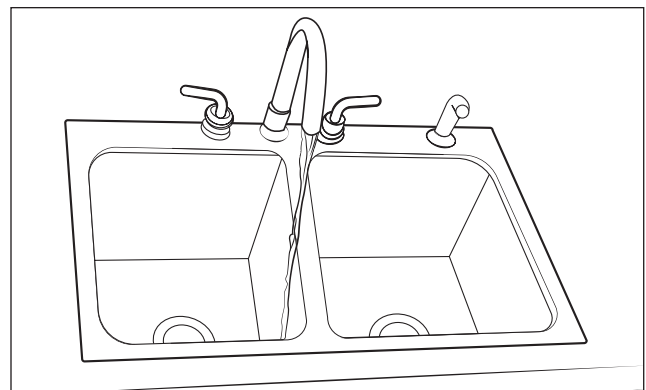


Figure 6

STAINLESS STEEL STRAINER

1 OPEN / CLOSE STOPPER

2 STRAINER BASKET

3 STRAINER BODY

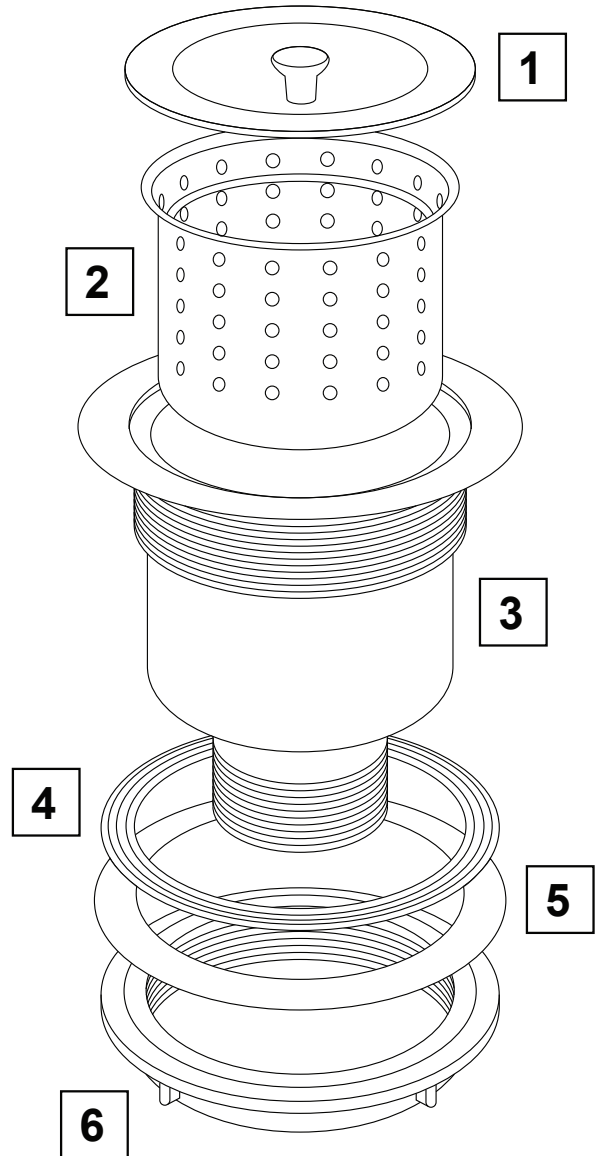
4 RUBBER GASKET

5 PAPER WASHER

6 LOCKNUT

T304

PREMIUM
STAINLESS
STEEL



NOTE:

- Installation of the strainer must be completed by a professional licensed plumber.
- Always wear proper safety gear to protect yourself from injury.

For questions and comments, please contact us at support@ehhomeusa.com. To learn more about Exclusive Heritage or our product line, you can visit our website at <http://www.exclusiveheritageusa.com>.

OUR STORY

The late 1930's and early 1940's were a period of turmoil and uncertainty. Many of the lifelong dreams of hard working men and women came crashing down as World War II took its toll.

My grandfather was one of many men who took pride in what he could create with his bare hands, his vision and his imagination. As an accomplished carpenter for most of his life, he knew the characteristics of great furniture making. He appreciated detail, fine tools, intricate inlays and master craftsmanship.

He spent decades carefully crafting piece after piece for sale in a popular furniture store. He saved his money in hopes of one day creating his own furniture line. Like many businesses of his time, he was never able to fulfill his dreams due to the economic and business hardships faced by many families.

Each family had a different hardship story to tell. My grandfather remembers the day a bomb went off in his building and he witnessed the destruction of many buildings in the city where he lived. There was no food for days and many families suffered.

While his dream never materialized, his vision and timeless secrets have been passed down to a new generation dedicated to seeing his dream come true. Exclusive Heritage is the 'must have' collection of artistic brilliance and restored elegance. It includes a wide selection of furniture and each piece has a story to tell and a life all its own.

When you invest in furniture and accessories through Exclusive Heritage, you are among the discriminating buyers across the globe who choose shapely pieces, fine detailed lines and unique stylings over mass production and common materials.

PASSION AND MISSION

A new generation has vowed to honor the vision and dreams of their loved ones by bringing their treasured family secrets alive again. They embraced their motivation for design by creating classic and modern fused pieces that can become part of your family history and traditions. They understand that master craftsmanship is an art as much as a science. It comes from the beauty of one man's eyes and his vision for something greater than to fill up the space in a corner. It is a conversation piece and keepsake all at the same time.

It is a great honor to carry out the mission and vision of my grandfather as well as the dreams of many men from that era in time. As we bring closure to their dreams, we also create new ones for our own generation and those that follow.





OUR PRODUCTS

There are so many interesting ways to bring together today's tools with our traditional craftsmanship skills. Imagine how inspiring the creations must be.

We value quality, history and elegance to bring you today's diverse product lines. Although each piece is unique, it carries the tradition of the noble pursuit of my grandfather and others of his same generation. When you see our new furniture and fixture line, you are instantly reminded of a time where the primary motivation in creation was to take your breath away with designs, carvings and details of timeless elegance and beauty.

Our unique home improvement products are perfectly suited for those who have an appreciation for well built traditional furniture and fixtures of past generations, yet updated and exquisitely designed to fit into today's modern built homes.

GIVING BACK

While we are passionate about customized furniture and home furnishing creations, we are also committed to extend a helping hand to those in need.

We have sponsored with the No Kid Hungry program where meals are hand delivered to hungry kids. With 1 in 5 kids in America suffering from hunger, it is a great privilege to support this organization which does so much for kids in need. It is a great way to honor my grandfather's memory by giving back to a cause close to our hearts.

By supporting this cause, we hope to change the cycle of poverty that perpetuates when the basic needs of kids are not being met. We are committed to delivering 2,400 meals in our first year to this exceptional program and will increase our contribution as our company grows.





EXCLUSIVE
HERITAGE