

10 YEAR MANUFACTURER'S

LIMITED WARRANTY

All parts of this Kingston Brass faucet are warranted to the original retail purchaser to be free from defects in material and workmanship for a period of Ten(10) years from the date of purchase as shown on the purchaser's receipt.

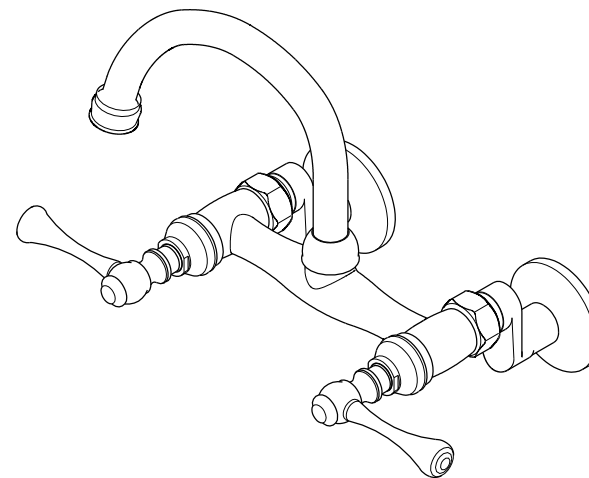
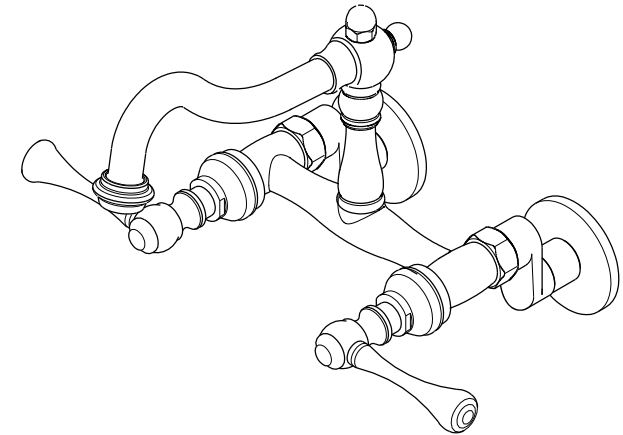
This warranty is limited to defective parts only, labor charges and/or damage resulting from improper installation, repair or replacements, as well as incidental and consequential damages connected therewith are excluded.

Any damage to this faucet as a result of misuse, abuse, neglect, accident, or improper installation or any use not consistent with the instructions furnished by us, will void this warranty.

Replacement parts can be obtained from your local dealer. Freight cost is not covered by manufacturer.

CAUTION!!!

1. Water lines must be completely flushed before use, to avoid debris & clogs in your water system leading to mal-function and reduction of water flow.
2. Warranty to be void if water lines are not flushed before use of new faucet.
3. Use of abrasives of any strength may damage the finish of your faucet and void this warranty.



PROBLEMS SHOOTING

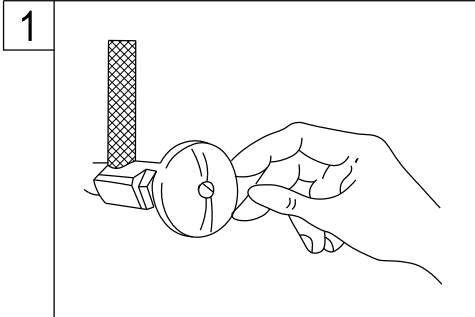
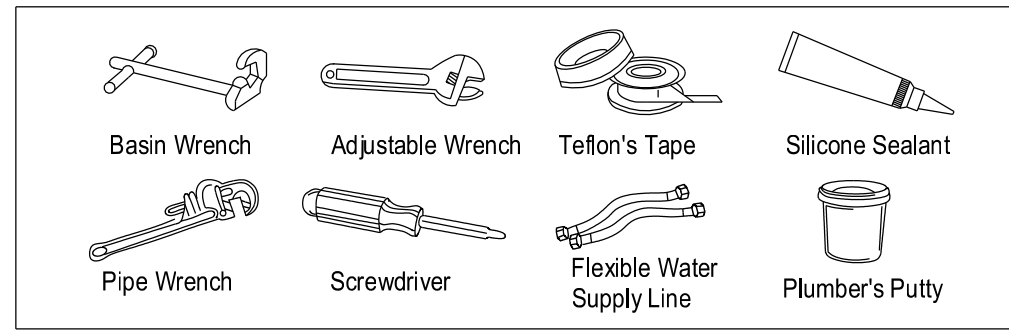
PROBLEM	CAUSE	CORRECTIVE ACTION
Leaks underneath handle	Bonnet nut has come loose	Remove the handle and tightening the bonnet nut
Leaks from the spout	Valve seat and spring are worn	Replace the valve seat and spring
Inconsistent water flow pattern	Aerator is dirty or aged	Release aerator and check on rubber gasket if aged or replace with new aerator
Faucet is dirty	Caused by stubborn water spot	Clean with mild soap and warm water as often as possible
Handles works backward	Handle install backward	Rotate the right stem stop assembly 180 degrees

INSTALLATION INSTRUCTIONS

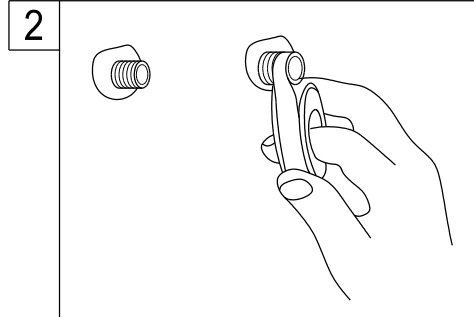
For Use With KB's Wall Mount Kitchen Faucets

Before Beginning Installation.

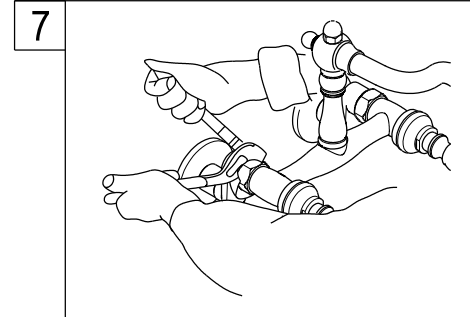
- 1 Flush plumbing lines to clear debris in pipe and plumbing lines to avoid existing clogs into waterway & cartridge system of new faucet fixture.
2. Shut off both supply lines after flushing



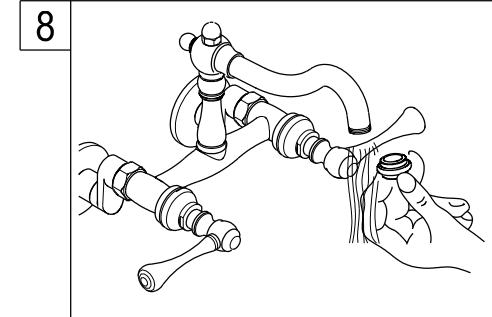
1. Locate water supply and shut off the water.



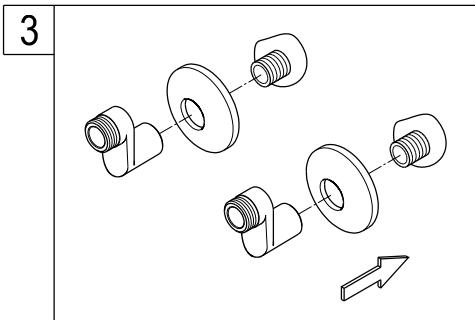
2. Turn on old faucet to remove any excess water in the supply lines. Remove old faucet. Apply Teflon's tape onto both threads of supply elbows.



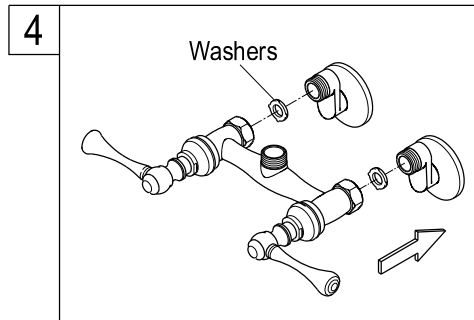
7. Install faucet body to supply elbows and tighten the elbow with an adjustable wrench.



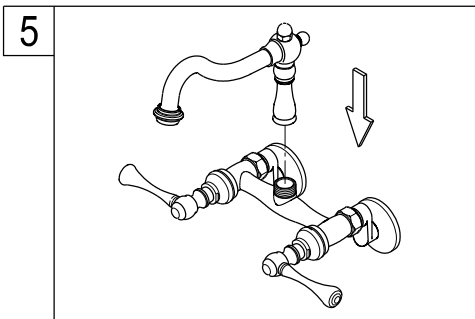
8. Turn on water supply and check for leaks. Remove the aerator from spout and allow both hot and cold water to run for one minute. Replace aerator.



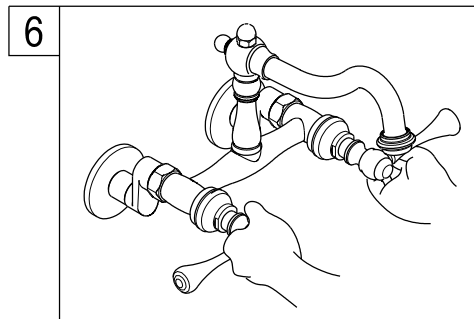
3. Mount the large black washers into back side of wall washers. Mount the wall flanges through supply elbows onto the wall, secure and sealed by silicon sealant.



4. Before mounting the faucet onto supply elbows, apply small black washers onto both water inlets of faucet.



5. Install spout to faucet body and tighten it.



6. Align the elbows to mount the faucet.