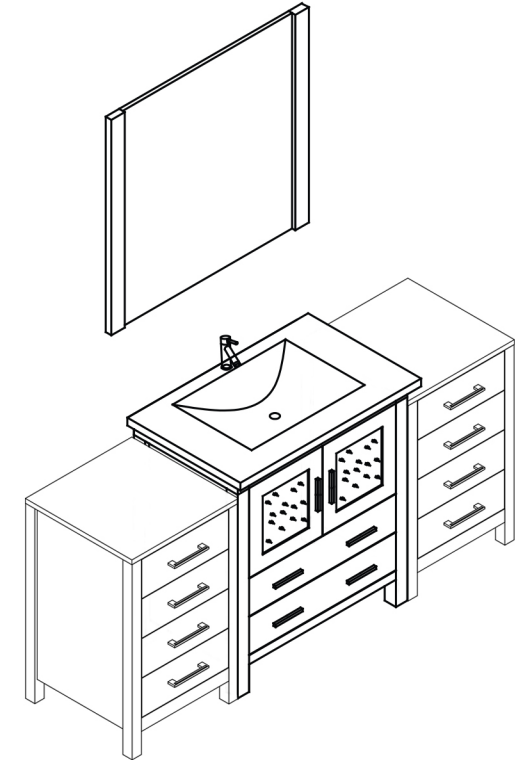
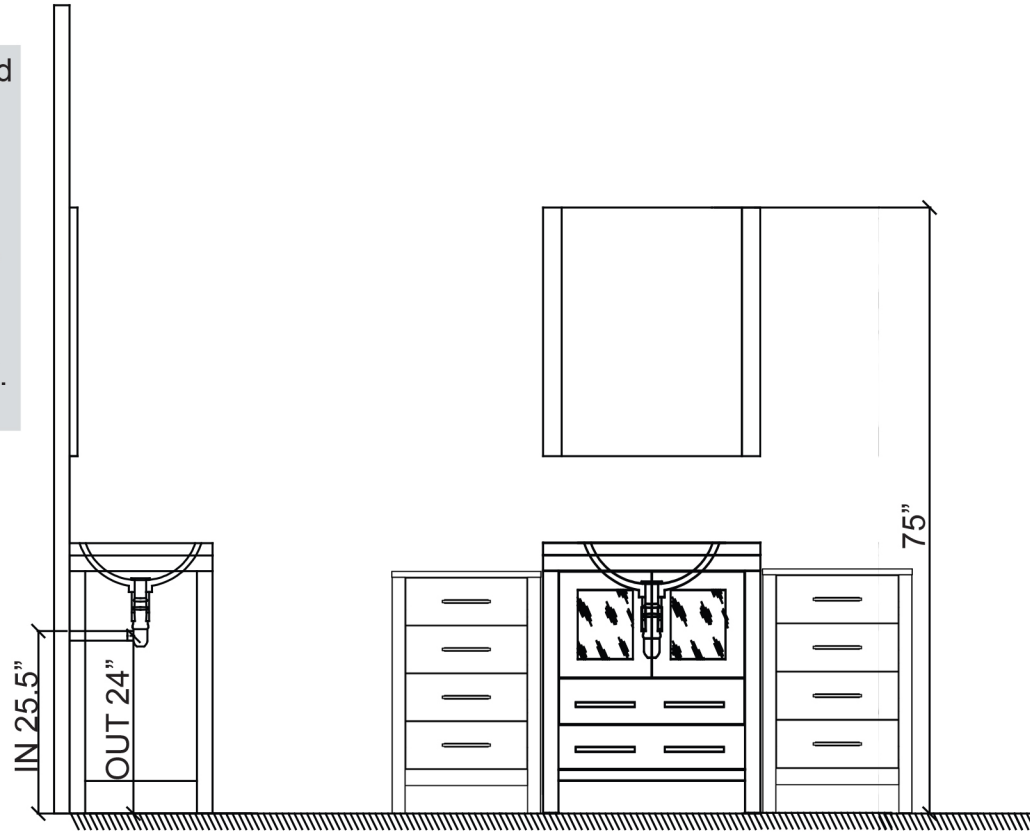
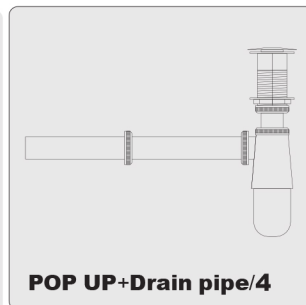
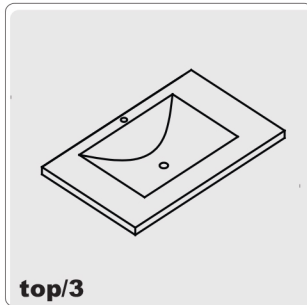
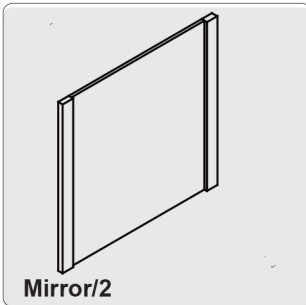
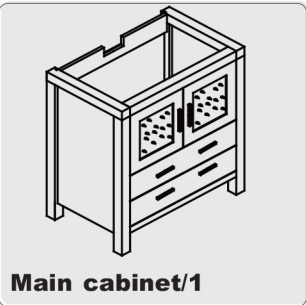


- Prior to installation please check received items against the Packing List . please report any missing items to your local dealer immediately.
- Protect all surfaces from sharp objects, high heat sources, direct prolonged sunlight and chemical hazards.
- Professional installation recommended.



**PACKING LIST**

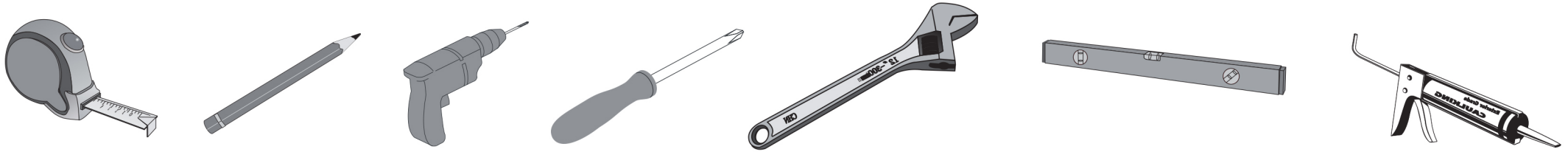


SKU:KS-70064

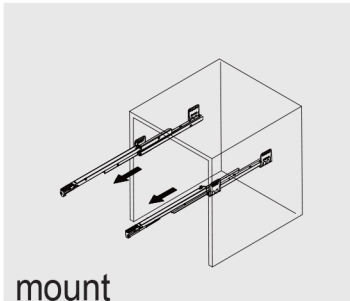
SIZE:900x460x880mm

**PROHIBIT COPY**

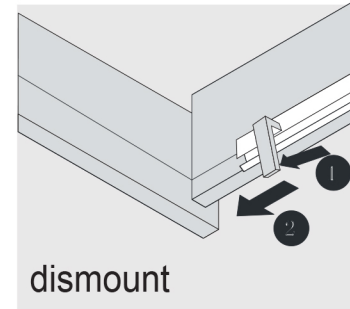
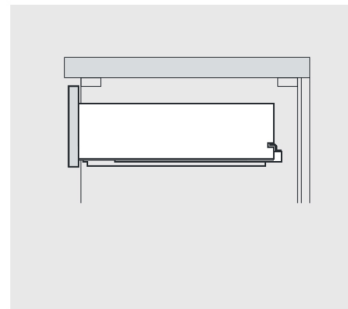
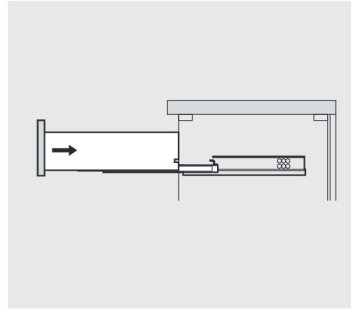
**REQUIRED TOOLS**



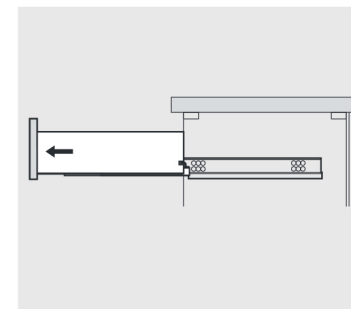
**DRAWER SLIDER ATTACHMENT AND DETACHMENT**



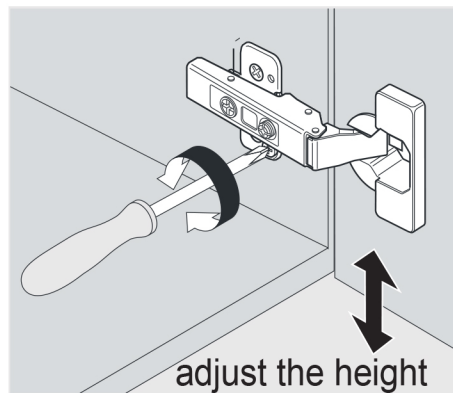
mount



dismount

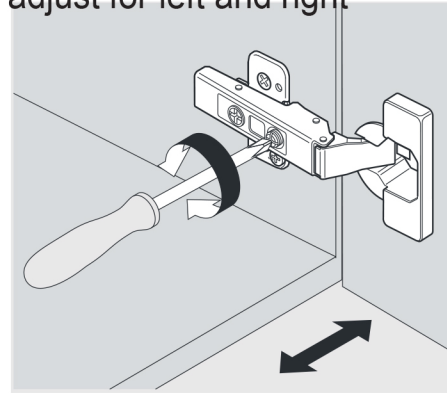


**INSTALLATION AND ADJUSTMENT OF HINGES**

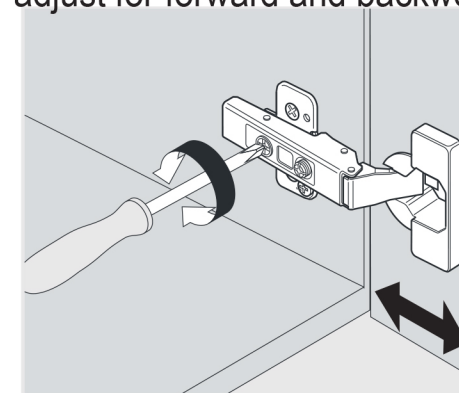


adjust the height

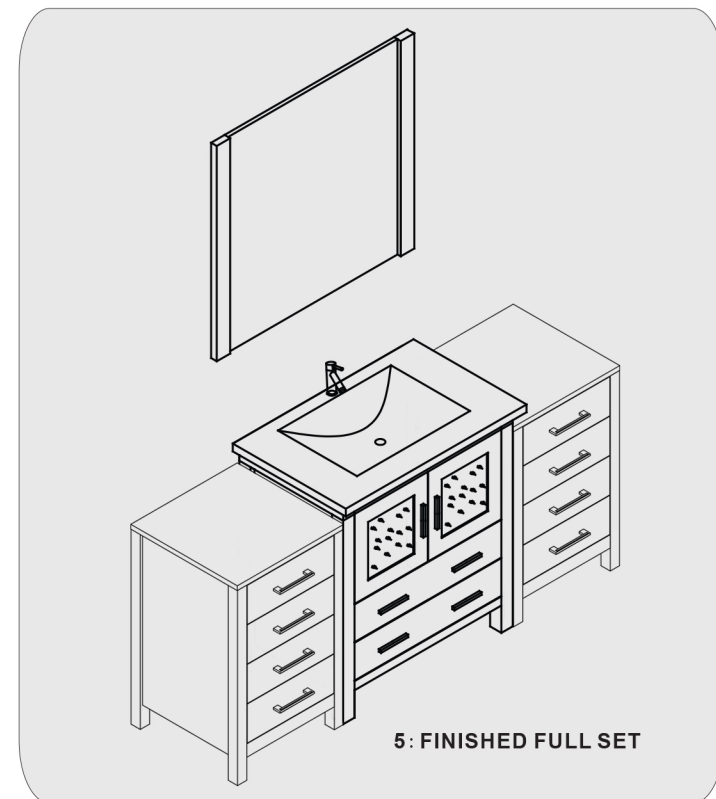
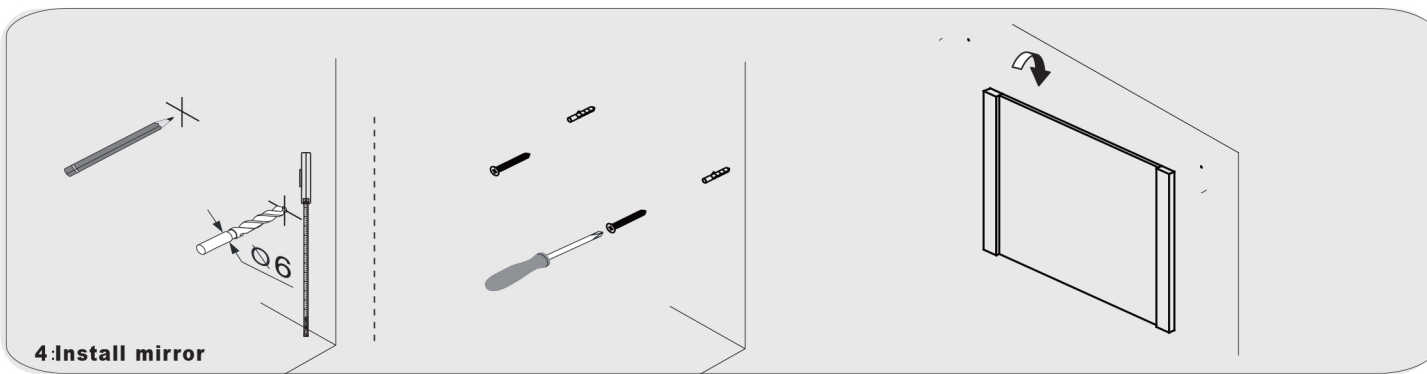
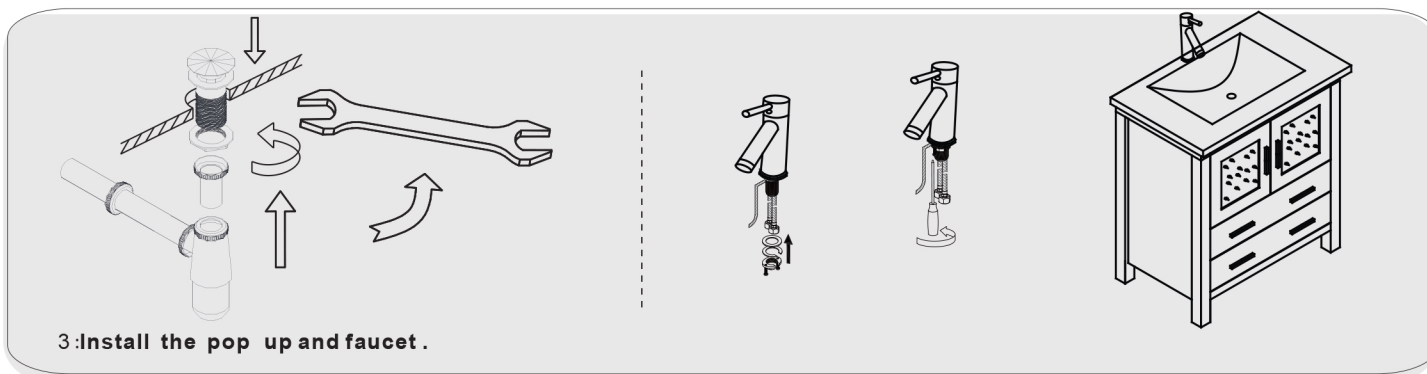
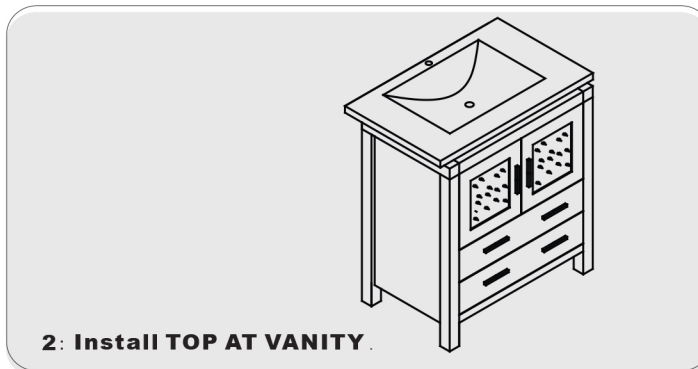
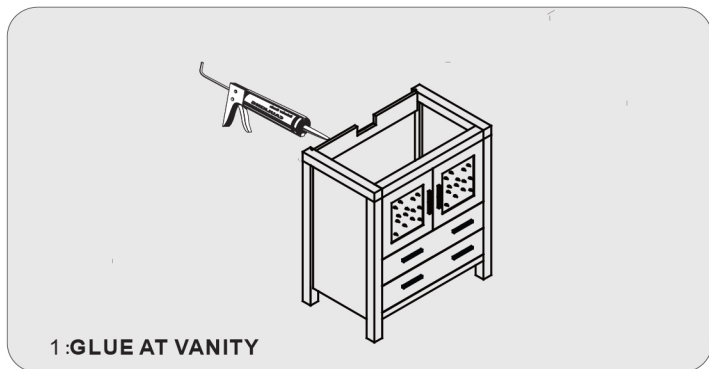
adjust for left and right



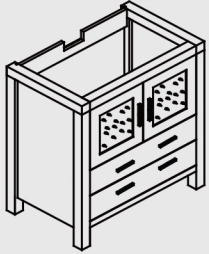
adjust for forward and backward



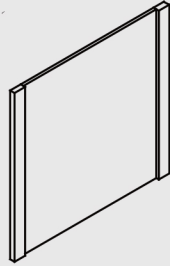
**INSTALLATION PROCESS**



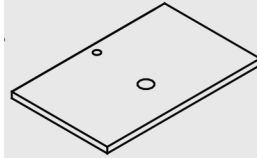
**PACKING LIST**



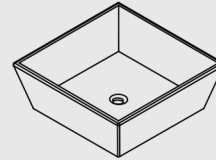
**Main cabinet/1**



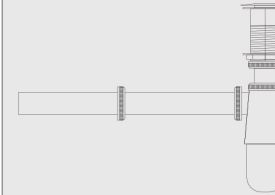
**Mirror/2**



**top/3**



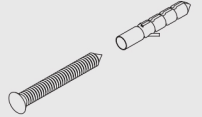
**basin/4**



**POP UP+Drain pipe/5**

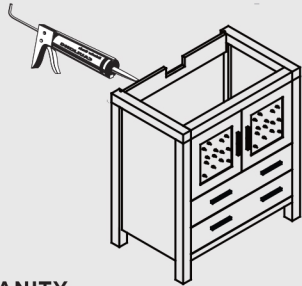


**FAUCET/6**

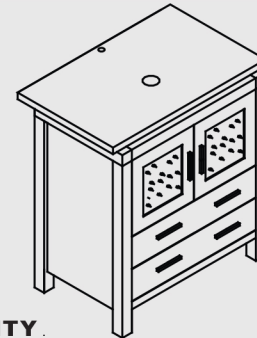


**Install screw/7**

**INSTALLATION PROCESS**



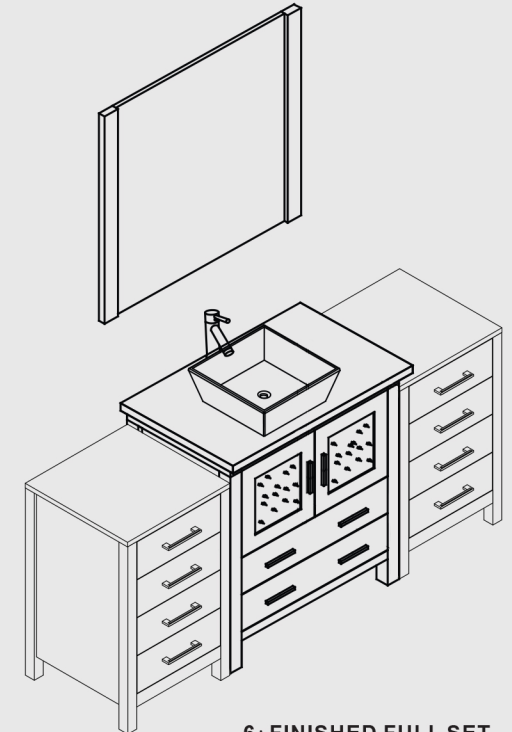
**1:GLUE AT VANITY**



**2: Install TOP AT VANITY**



**3:install Basin**



**6: FINISHED FULL SET**