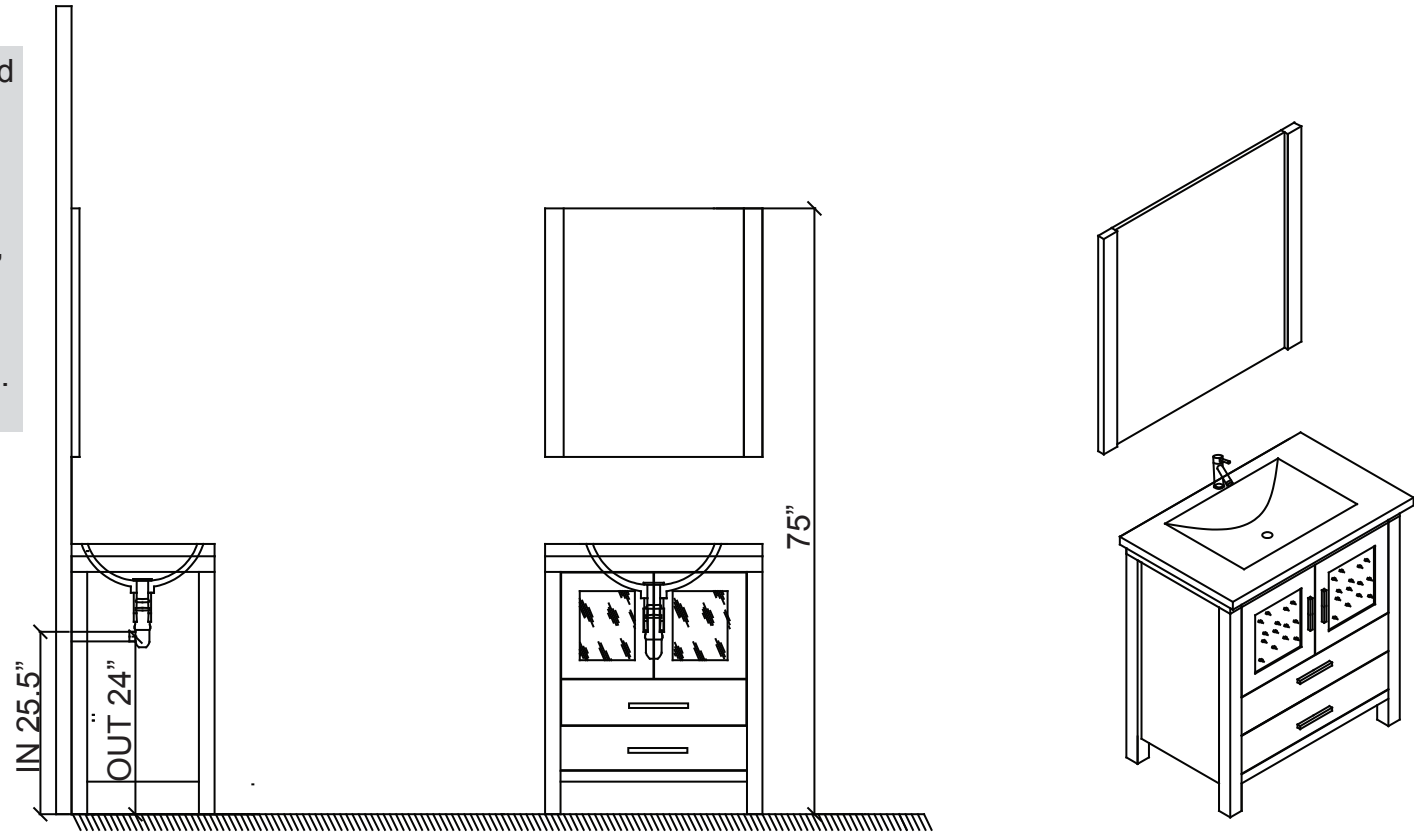


SKU:24"

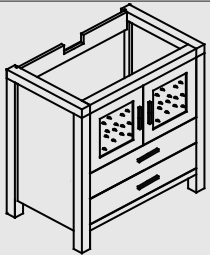
SIZE: 600x460x880mm

**PROHIBIT COPY**

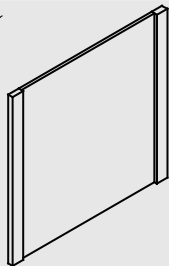
- Prior to installation please check received items against the Packing List . please report any missing items to your local dealer immediately.
- Protect all surfaces from sharp objects, high heat sources, direct prolonged sunlight and chemical hazards.
- Professional installation recommended.



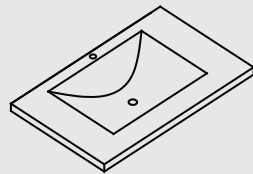
**PACKING LIST**



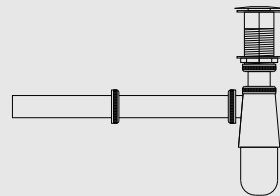
**Main cabinet/1**



**Mirror/2**



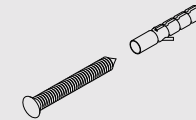
**top/3**



**POP UP+Drain pipe/4**



**FAUCET/5**



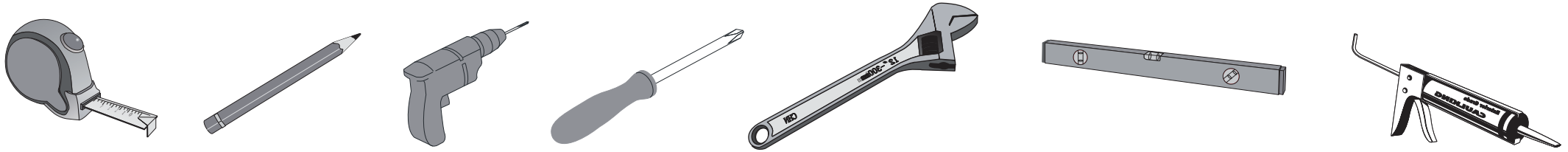
**Install screw/6**

SKU:24"

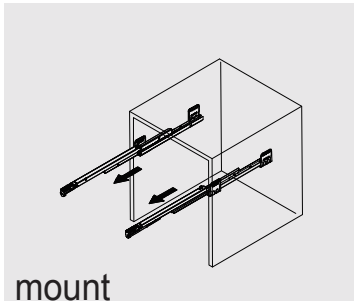
SIZE:600x460x880mm

**PROHIBIT COPY**

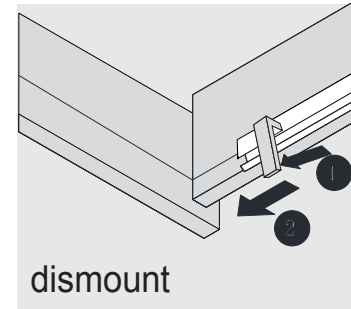
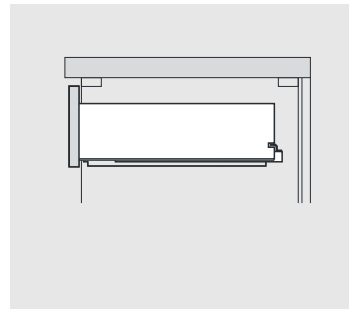
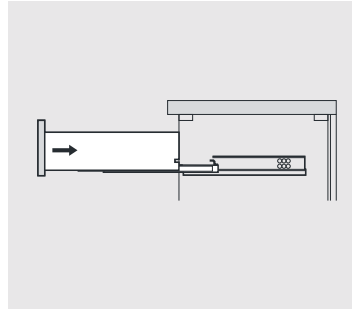
**REQUIRED TOOLS**



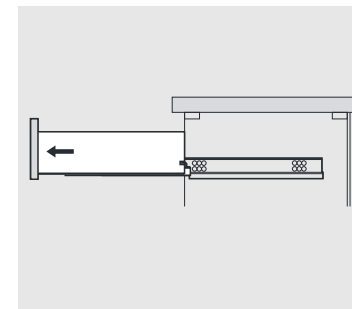
**DRAWER SLIDER ATTACHMENT AND DETACHMENT**



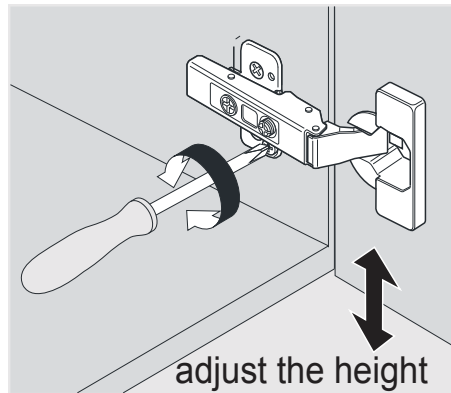
mount



dismount

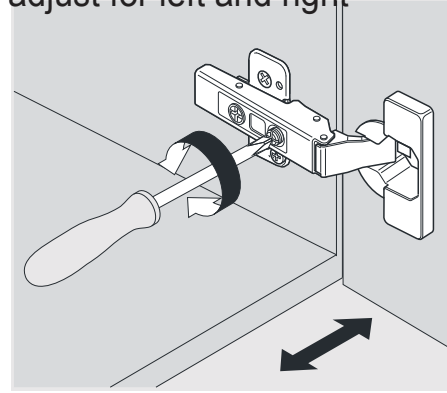


**INSTALLATION AND ADJUSTMENT OF HINGES**

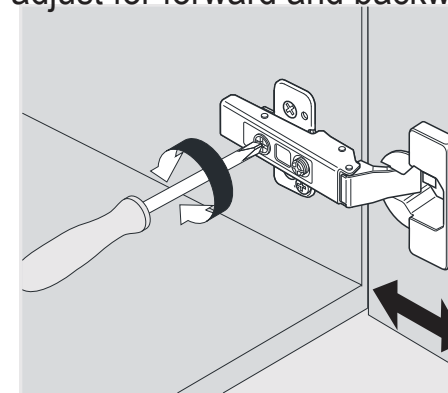


adjust the height

adjust for left and right



adjust for forward and backward

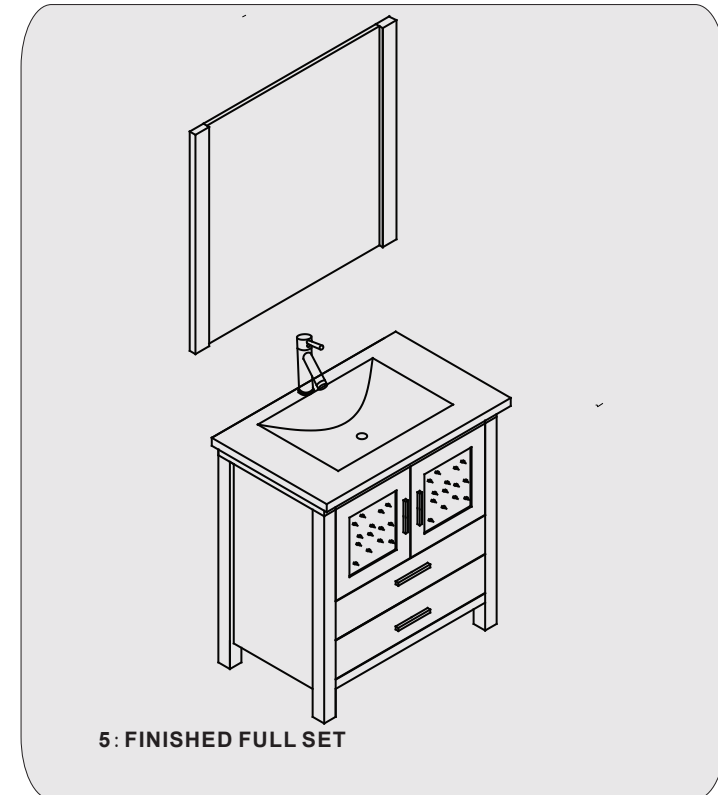
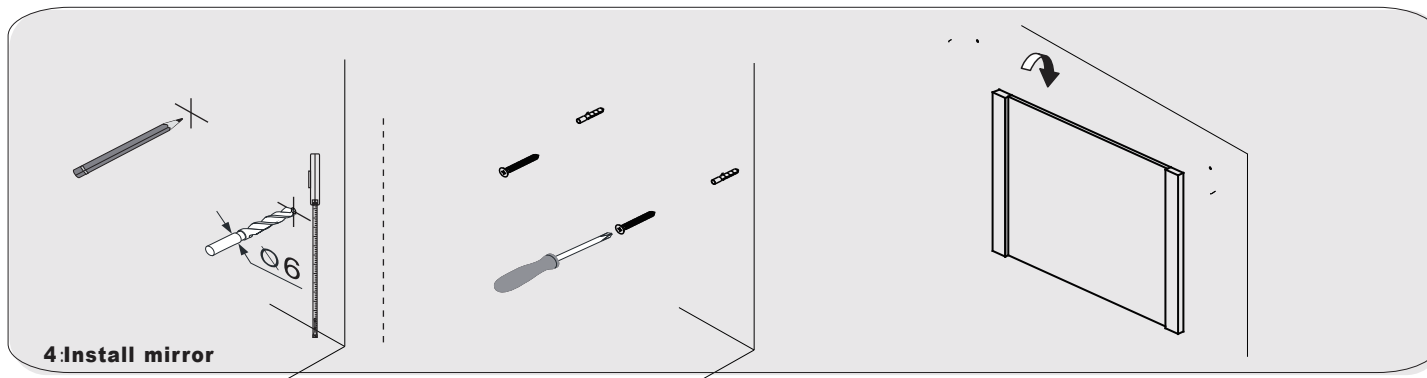
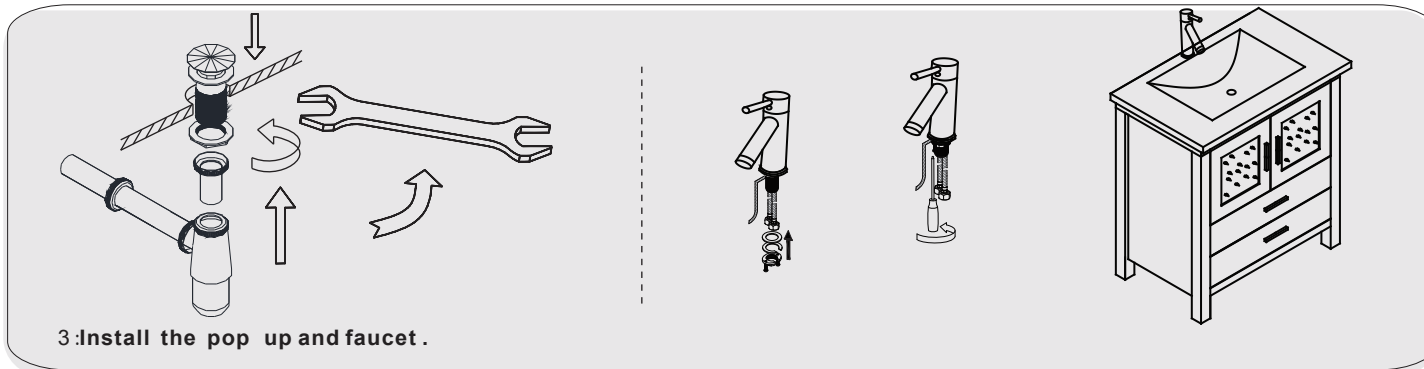
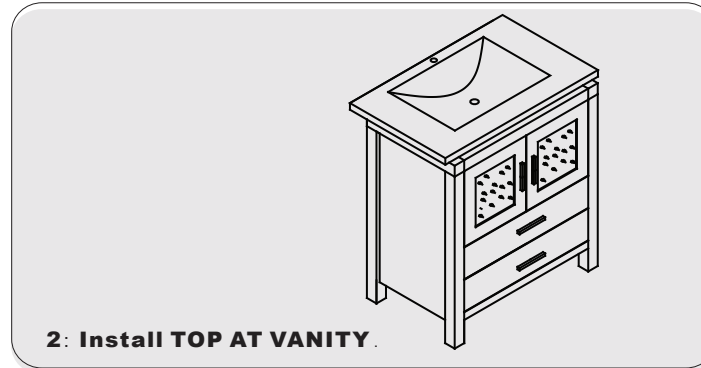
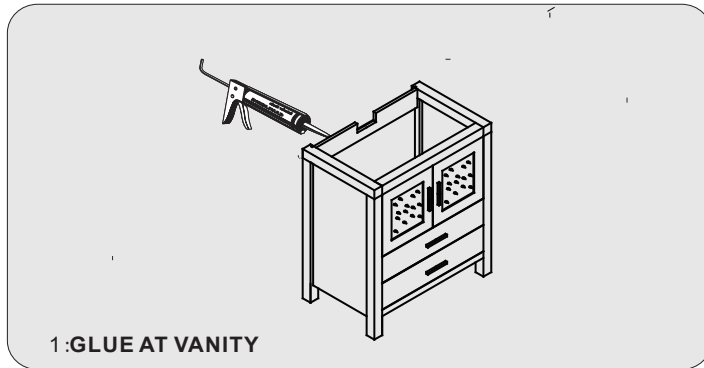


SKU:24"

SIZE:600x460x880mm

**PROHIBIT COPY**

**INSTALLATION PROCESS**

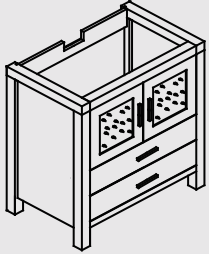


SKU:24"

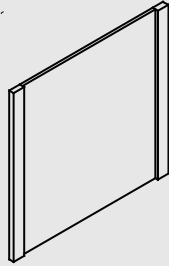
SIZE: 600x460x880mm

**PROHIBIT COPY**

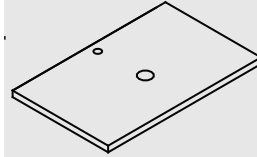
**PACKING LIST**



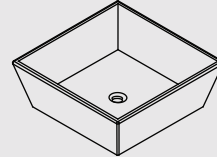
**Main cabinet/1**



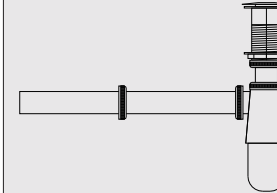
**Mirror/2**



**top/3**



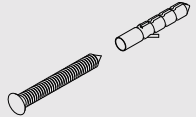
**basin/4**



**POP UP+Drain pipe/5**

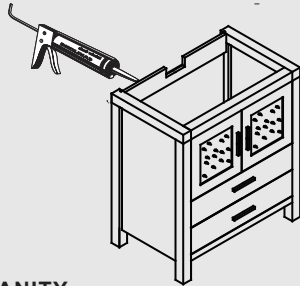


**FAUCET/6**

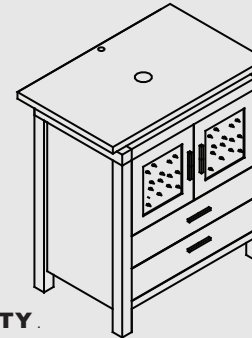


**Install screw/7**

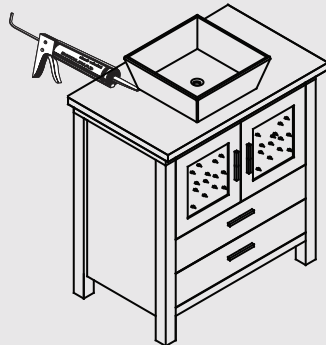
**INSTALLATION PROCESS**



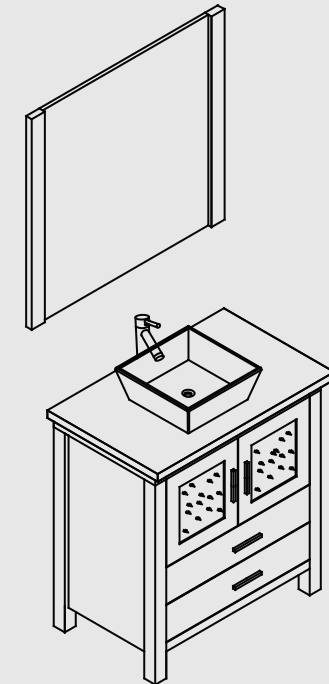
**1:GLUE AT VANITY**



**2: Install TOP AT VANITY**



**3:install Basin**



**6: FINISHED FULL SET**