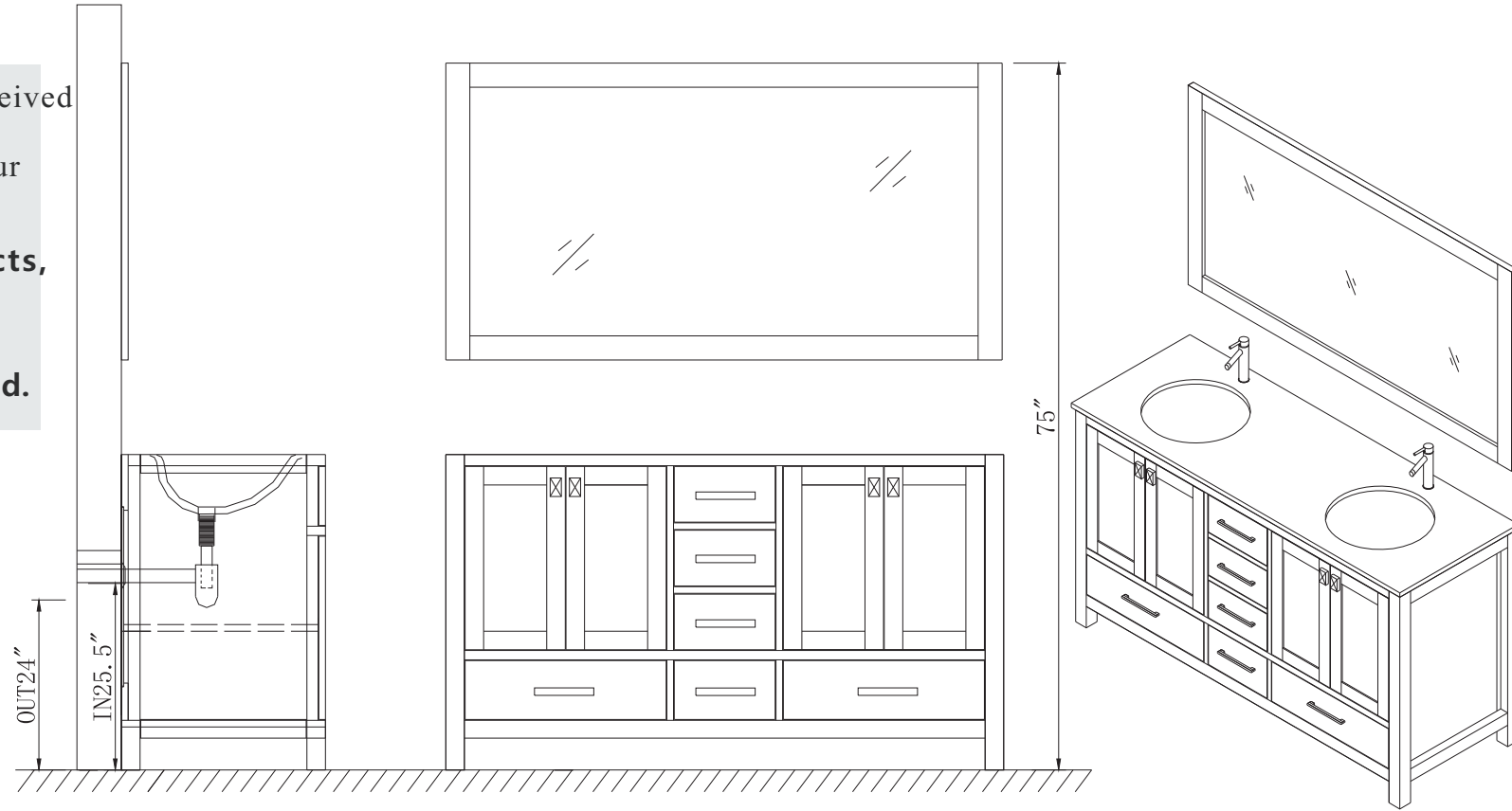


SKU:GD-50060

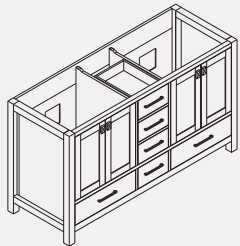
SIZE:1504x550x850m

**PROHIBIT COPY**

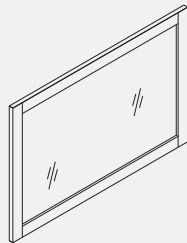
- Prior to **installation** please check received items **against** the **Packing List**  
Please report any **missing** items to your local dealer **immediately**.
- Protect all **surfaces** from sharp **objects**, high heat sources, direct **prolonged** sunlight and **chemical hazards**.
- **Professional** installation **recommended**.



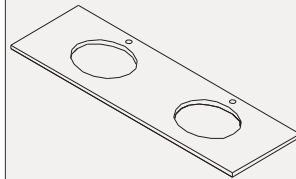
**PACKING LIST**



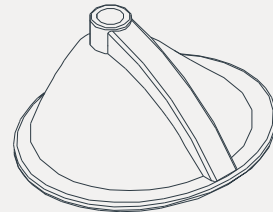
Main cabinet/1



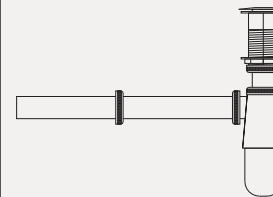
Mirror/2



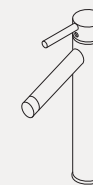
top/3



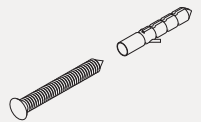
Ceramic basin/4



POP UP+Drain pipe/5



FAUCET/6



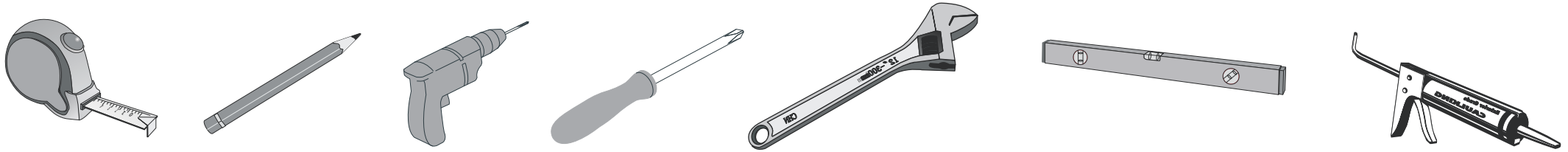
Install screw/7

SKU:GD-50060

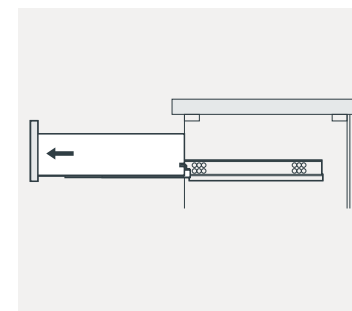
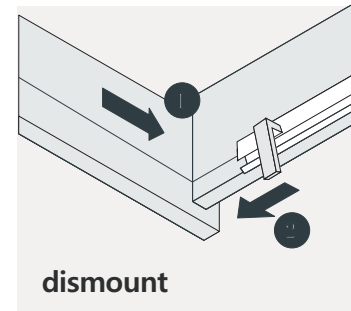
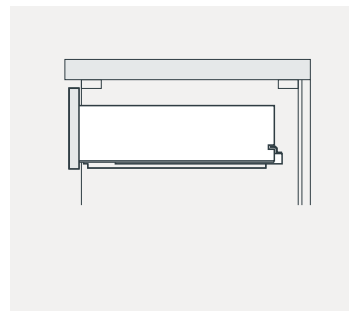
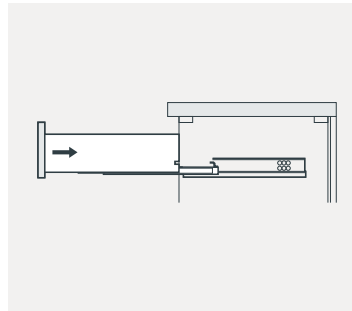
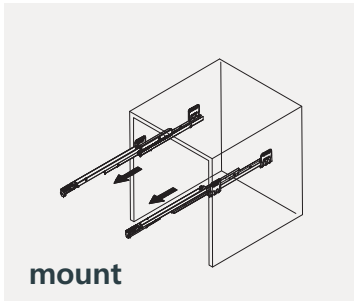
SIZE:1504x550x850m

**PROHIBIT COPY**

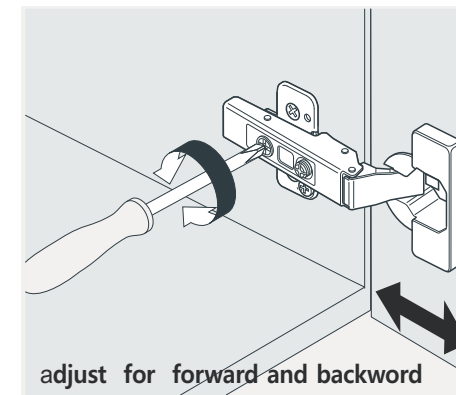
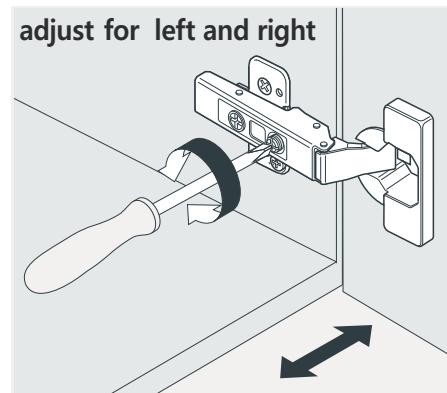
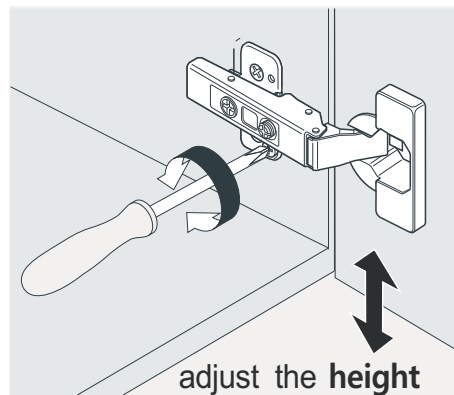
**REQUIRED TOOLS**



**DRAWER SLIDER ATTACHMENT AND DETACHMENT**



**INSTALLATION AND ADJUSTMENT OF HINGES**



**INSTALLATION PROCESS**

