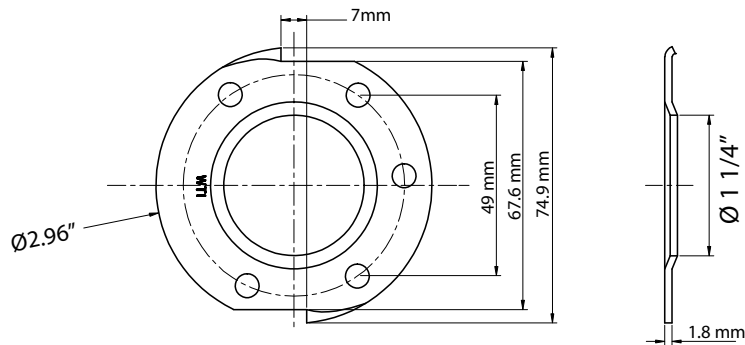
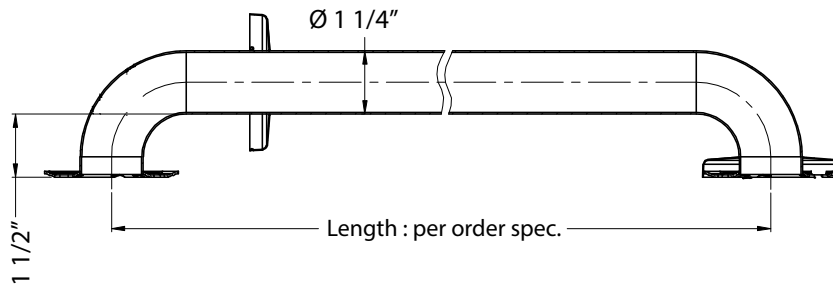


## ARISTA STAINLESS STEEL GRAB BARS 1 1/4" DIA., CONCEALED SCREW MOUNTING



### Specifications :

- \* 1-1/2 In Wall Clearance
- \* Stainless Steel Flange Covers
- \* #10 x 2 1/2" Stainless Steel Panhead Installation Screws included
- \* Concealed Mounting with Stainless Steel Finish
- \* ADA Compliance : Yes
- \* Material : Stainless Steel, SUS 304
- \* Color / Finish : Stainless Steel - Glossy, Satin, or Peened (optional)
- \* Bar Diameter : 1 1/4"
- \* Weight Capacity : 900 lbs



### #304 Stainless Steel Grab Bar



WT International Inc.

4100 CEDAR COMMERCIAL DR., CEDAR SPRINGS, MI 49319, U.S.A.