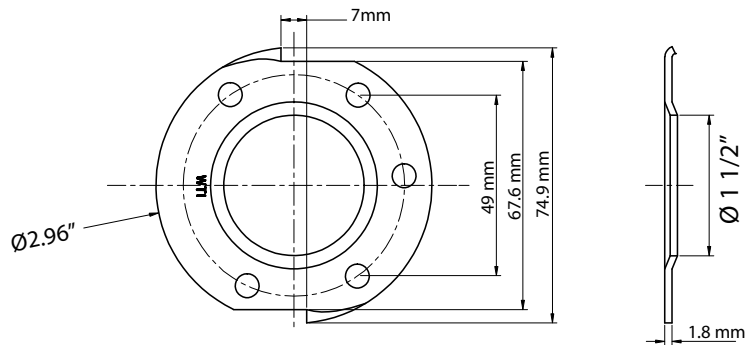
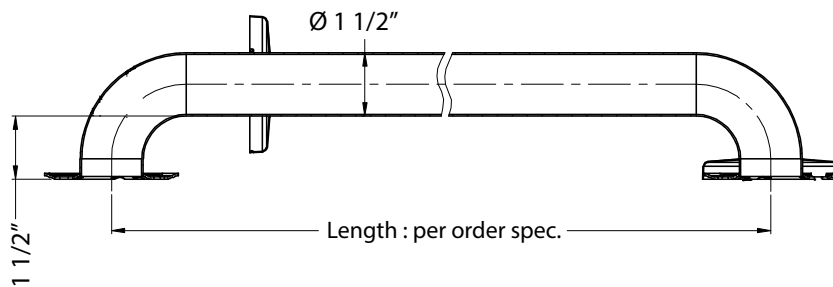


ARISTA STAINLESS STEEL GRAB BARS 1 1/2" DIA., CONCEALED SCREW MOUNTING



Specifications :

- * 1-1/2 In Wall Clearance
- * Stainless Steel Flange Covers
- * #10 x 2 1/2" Stainless Steel Panhead Installation Screws included
- * Concealed Mounting with Stainless Steel Finish
- * ADA Compliance : Yes
- * Material : Stainless Steel, SUS 304
- * Color / Finish : Stainless Steel - Glossy, Satin, or Peened (optional)
- * Bar Diameter : 1 1/2"
- * Weight Capacity : 900 lbs



#304 Stainless Steel Grab Bar



WT International Inc.

4100 CEDAR COMMERCIAL DR., CEDAR SPRINGS, MI 49319, U.S.A.