

**25" AUSTIN SINGLE
BOWL FARMER SINK**

Cat. No
FSCSB3094



W: 25"
D: 22"
H: 9-1/2"

Features:

- ▶ Constructed of solid 16 gauge copper
- ▶ Smooth front
- ▶ Rounded interior corners easy for cleaning
- ▶ Sink bowl has no internal welds
- ▶ Sink bottom angled to drainage
- ▶ Accommodates 3-1/2" drain
- ▶ Patina applied to copper using French hot process
- ▶ Hand polished finish
- ▶ Copper is a living finish and will patina over time

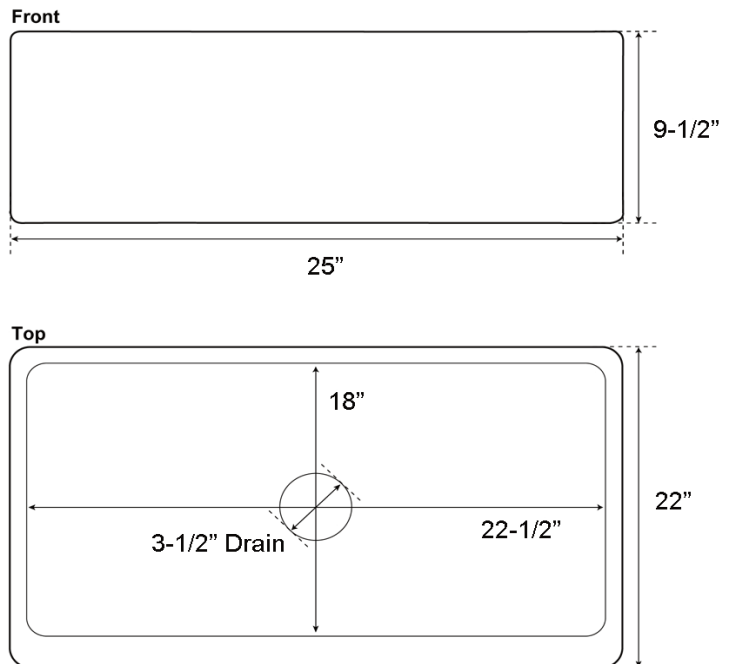
Finish:

SAC Smooth Antique Copper

***Please do NOT cut hole without
template or actual product.**

Interior Dimensions:

Basin Interior: 22-12" W x 18" D



Dimensions of fixture are nominal and may vary within the range of tolerances established by ANSI Standard A112.19.2. Dimensions and specifications subject to change without notice.