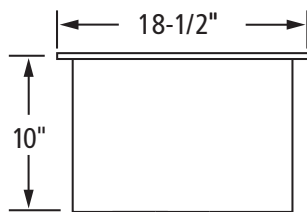
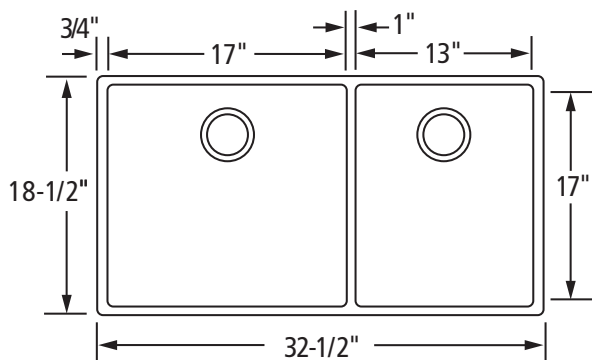


# FRIGIDAIRE®

1-888-999-4832

## FPUR3319-D10/10 16 Gauge 304 Stainless Steel Double Bowl Undermount Sink



Side View



Sink Strainer

### Dimensions

- Overall Size: 32-1/2" x 18-1/2"
- Left Bowl: 17" x 17" x 10"
- Right Bowl: 13" x 17" x 10"
- Drain Opening: 3-1/2"

### Included Accessories

- Grids
- Sink Strainers

### Features

- Handmade
- 10 MM radius corners
- 16 gauge 304 stainless steel
- Proprietary V-Therm Shield™
  - Provides superior sound deadening and thermal retention
- Long lasting, tight brush finish
- Stain and corrosion resistant

### Lifetime Warranty



Complies with ASME A112.19.3-2000