

FRIGIDAIRE®

1-888-999-4832

FGUR3219-D9

18 Gauge 304 Stainless Steel
Single Bowl Undermount Sink



Dimensions

- Overall Size: 31-1/2" x 18-1/2"
- Bowl: 30" x 17" x 9"
- Drain Opening: 3-1/2"

Included Accessories

- Grid
- Sink Strainer

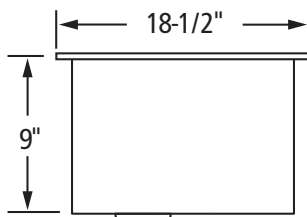
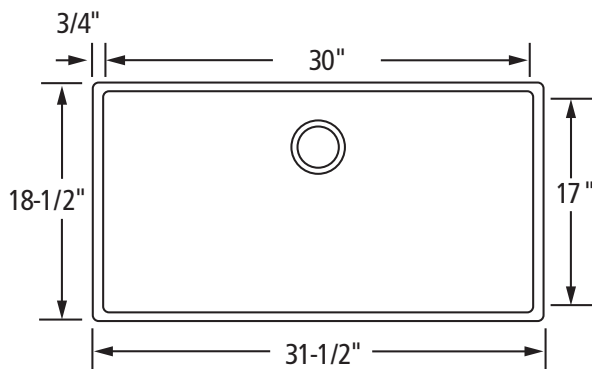
Features

- Handmade
- 10 MM radius corners
- 18 gauge 304 stainless steel
- Proprietary V-Therm Shield™
 - Provides superior sound deadening and thermal retention
- Long lasting, tight brush finish
- Stain and corrosion resistant

10 Year Warranty



Complies with ASME A112.19.3-2000



Side View



Sink Strainer

All sinks are handmade. Prior to cutting, verify with included template.