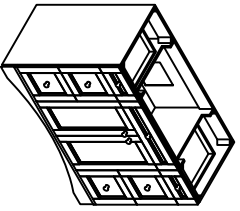


SKU : ES32048**SIZE:1220x560x915****PROHIBIT COPY**

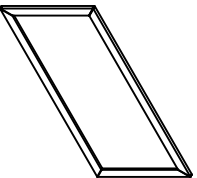
. Prior to installation please check received items against the Packing List Please report any missing items to your local dealer immediately.
. Protect all surfaces from sharp objects, high heat sources, direct prolonged sunlight and chemical hazards.
. Professional installation recommended.

PACKING LIST

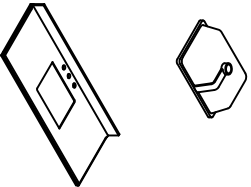
1. Main cabinet



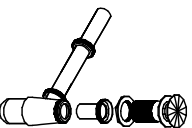
2. Mirror



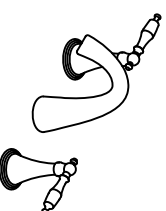
3. Basin



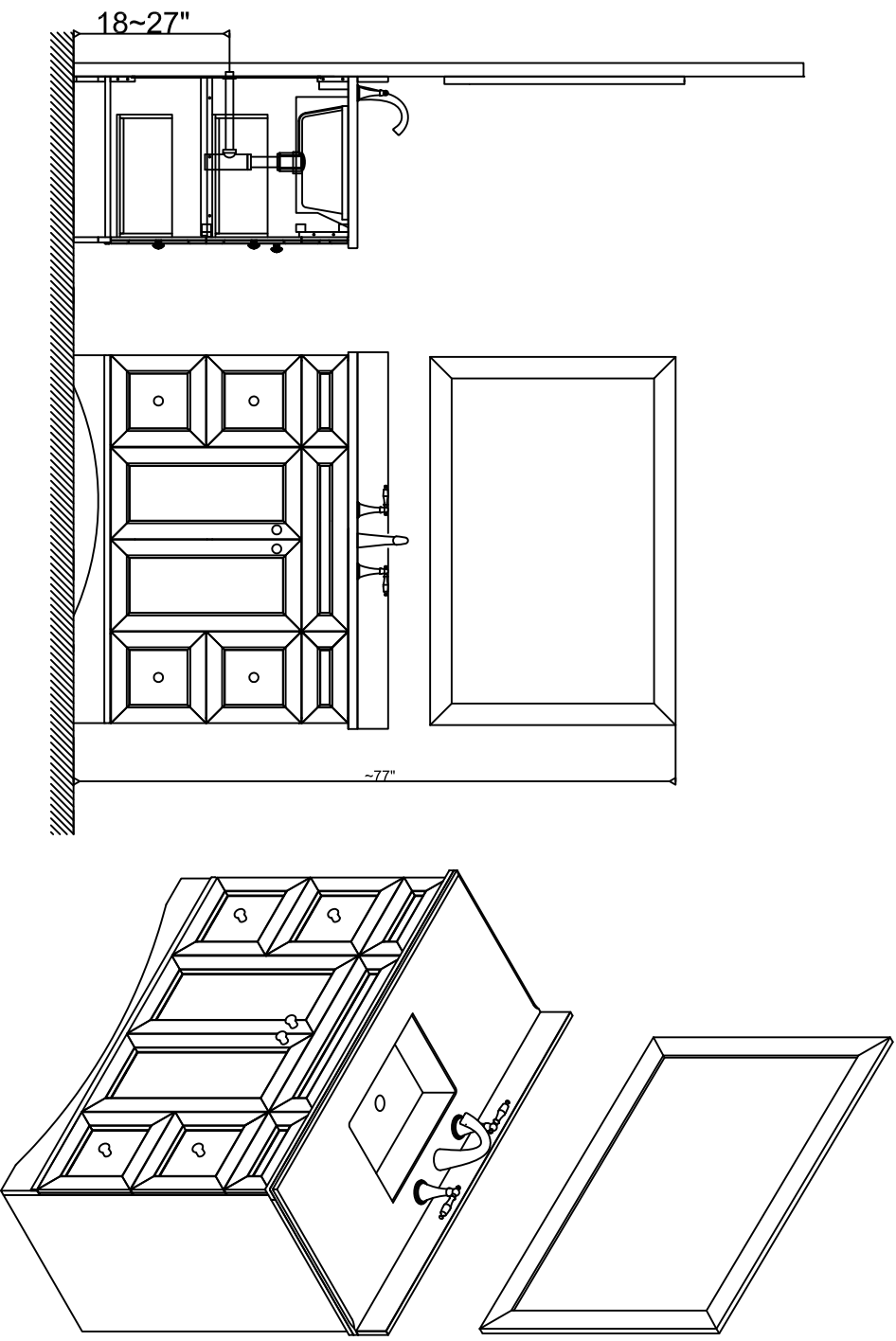
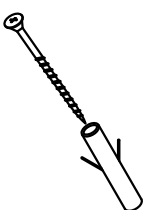
4. Pop up+Drain pipe



5. Faucet



6. Install screw

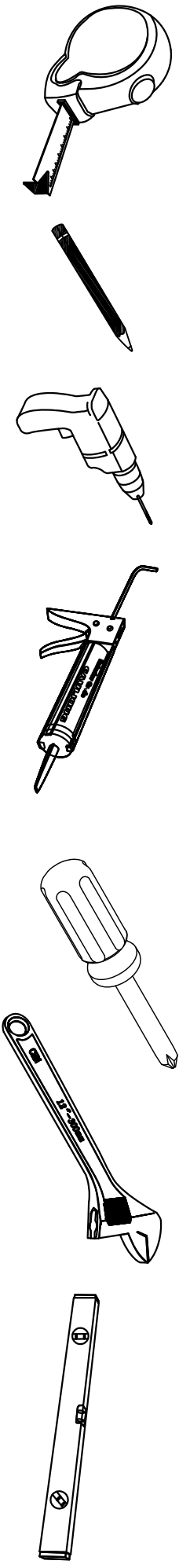


SKU : ES32048

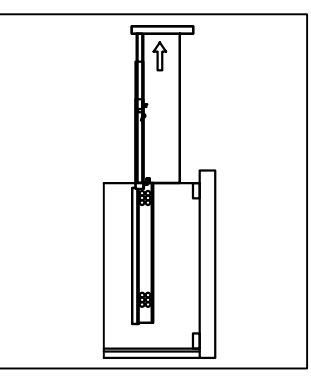
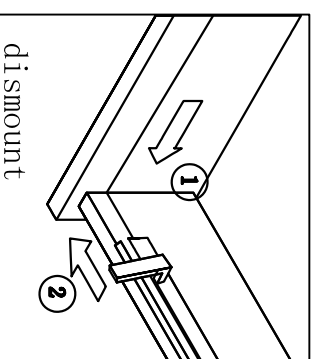
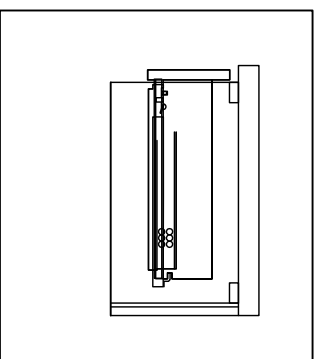
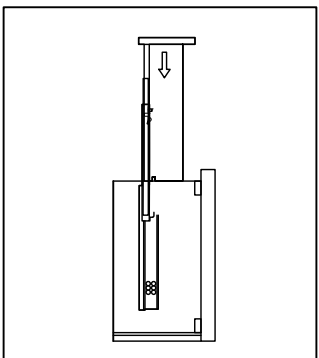
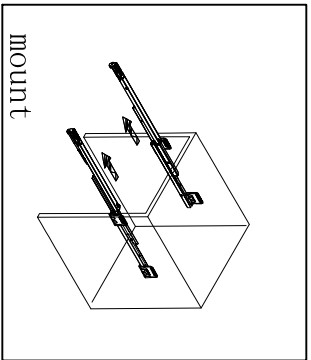
SIZE:1220x560x915

PROHIBIT COPY

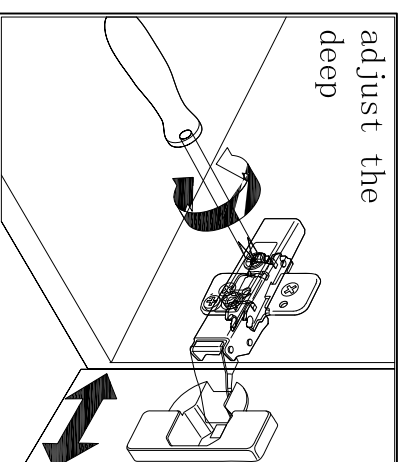
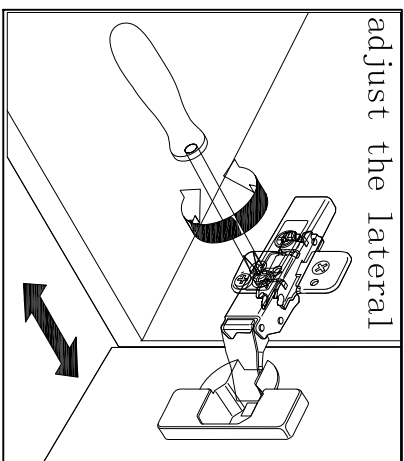
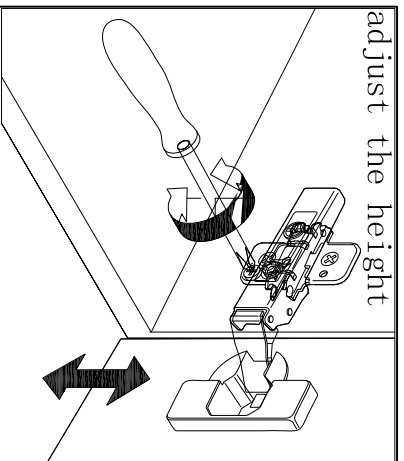
REQUIRED TOOLS



DRAWER SLIDER ATTACHMENT AND DETACHMENT



INSTALLATION AND ADJUSTION OF HINGE



SKU : ES32048

SIZE:1220x560x915

PROHIBIT COPY

