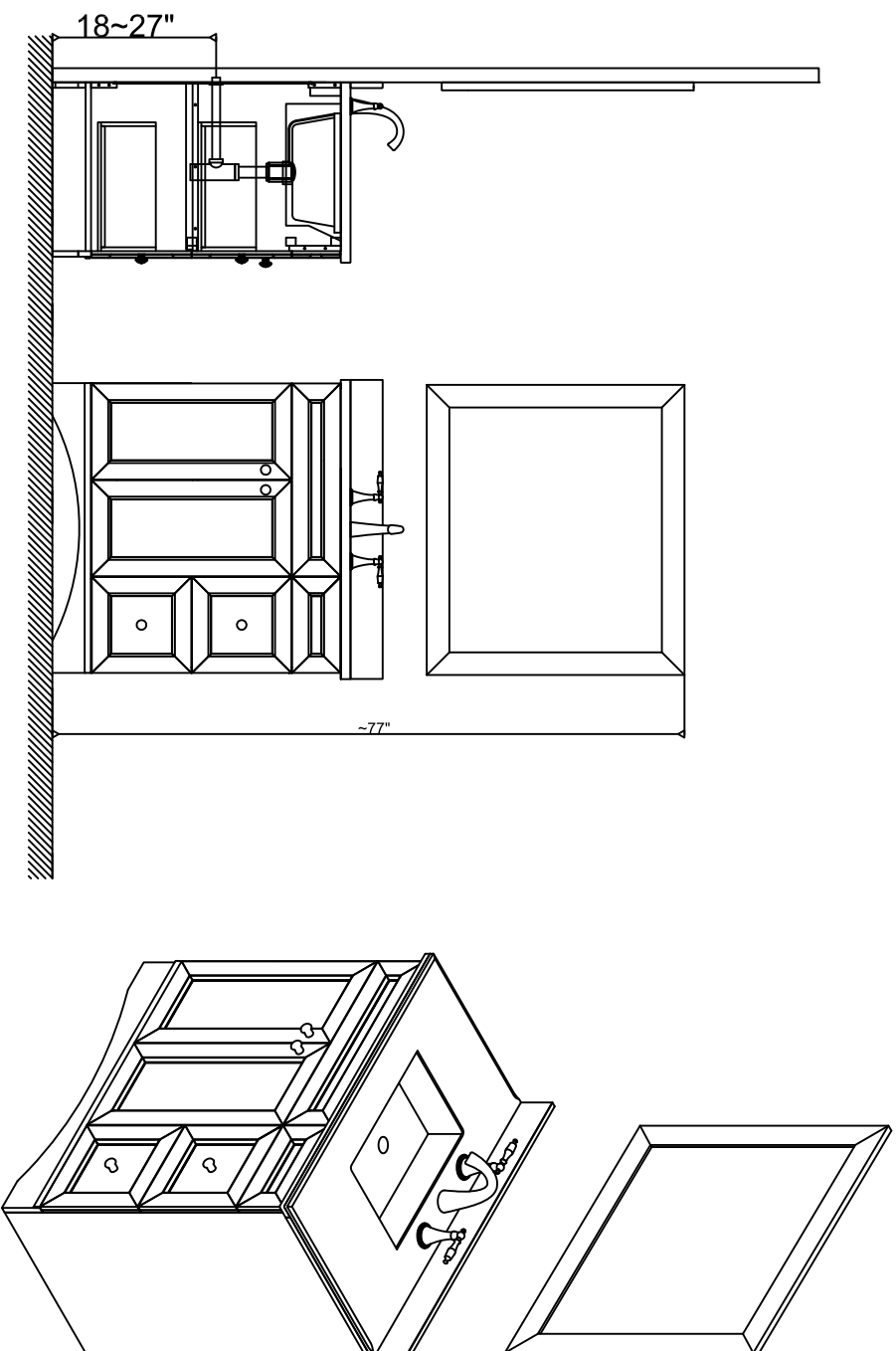
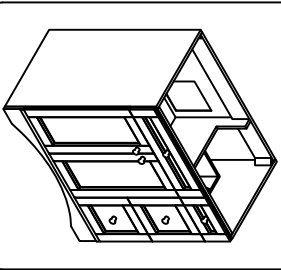
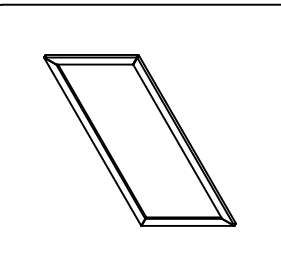
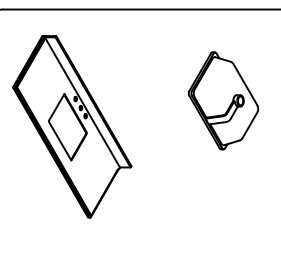
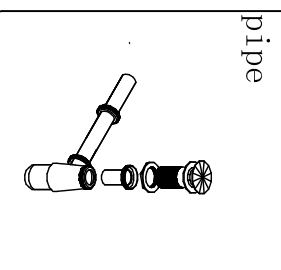
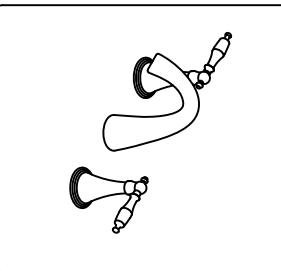
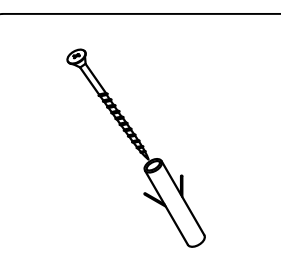


**SKU : ES32036**
**SIZE:914x560x915**
**PROHIBIT COPY**

. Prior to installation please check received items against the Packing List Please report any missing items to your local dealer immediately.  
 . Protect all surfaces from sharp objects, high heat sources, direct prolonged sunlight and chemical hazards.  
 . Professional installation recommended.

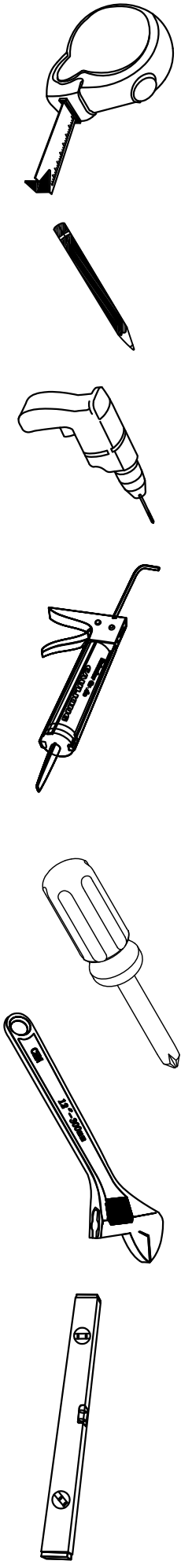

**PACKING LIST**
**1. Main cabinet**

**2. Mirror**

**3. Basin**

**4. Pop up+Drain pipe**

**5. Faucet**

**6. Install screw**


**SKU : ES32036**

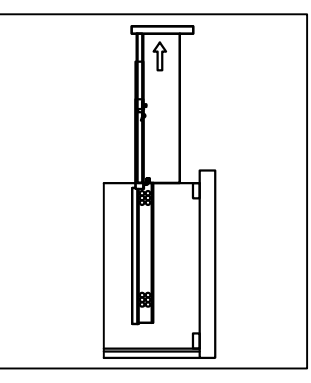
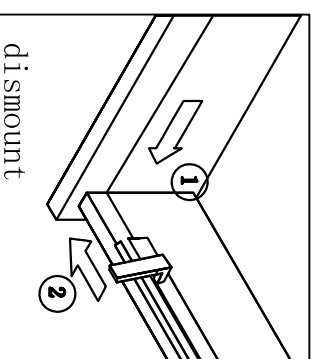
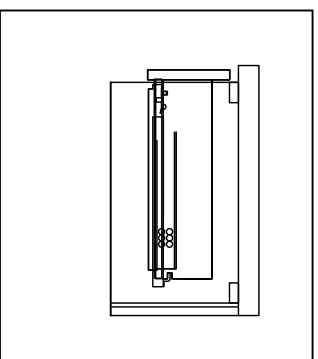
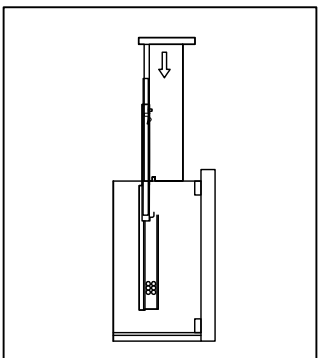
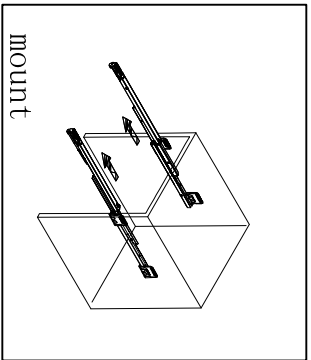
**SIZE:914x560x915**

**PROHIBIT COPY**

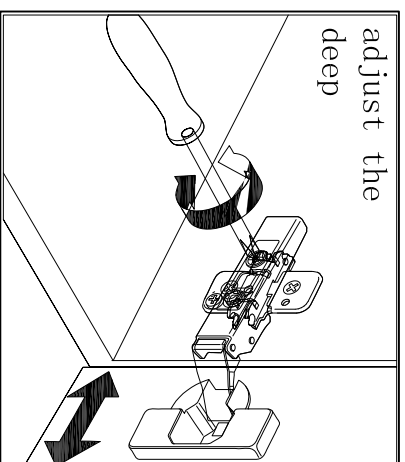
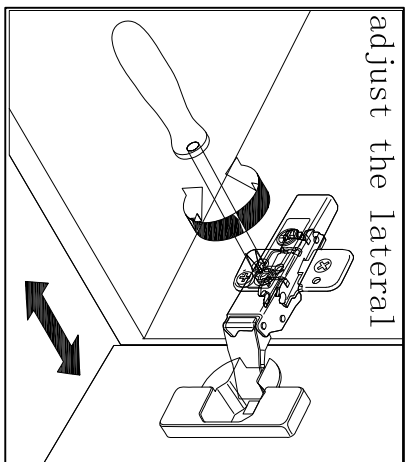
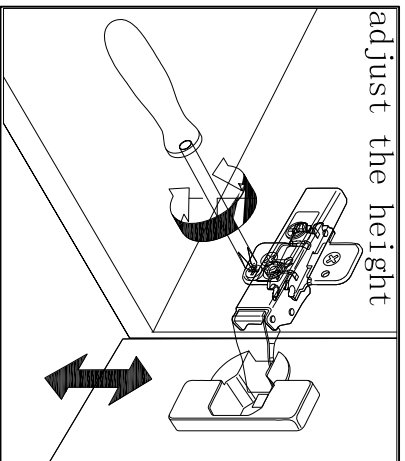
**REQUIRED TOOLS**



**DRAWER SLIDER ATTACHMENT AND DETACHMENT**



**INSTALLATION AND ADJUSTION OF HINGE**



**SKU : ES32036**

**SIZE:914x560x915**

**PROHIBIT COPY**

