

Wesaunard Towel Warmers

General

Upon receipt of your Heatrail towel rail/radiator please check immediately to ensure that it is supplied complete as ordered. Also, that there is no damage caused in transit by the courier. Damage can occur in transit without the outer carton/packaging necessarily being disfigured.

If any damage is discovered, please notify your supplier immediately as failure to do so could nullify your warranty.

DO NOT INSTALL ANY PRODUCT THAT IS RECEIVED DAMAGED.

No warranty costs will be considered either for the product or the labour relating to a damaged towel rail which has been fitted.

Placement

Having selected the eventual preferred fitting position of your Heatrail please ensure that the wall that supports it is load bearing and suitable to accept and secure the fixing screws and support the rail. This is particularly important for wall-mounted towel rails.

Warranty

Your Heatrail is guaranteed against faulty manufacture and materials for a period of 5 years from the original installation date and electrical elements are guaranteed for 12 months from original installation date. Warranty is limited to the product only and not to installation or removal costs and is subject to correct installation and maintenance.

Installation Instructions

The oil filled, electrically heated towel warmers are substantially constructed and are designed for continuous use for airing towels and some items of clothing. Although they are not intended as room heaters, they can contribute in small bathrooms, half baths, toilets or cloakrooms with low heat losses.

Your towel warmer is one of a large range available and can be finished in heavy duty chrome, satin nickel, polished brass or fine gold plating. Some models are available in a pleasing mixture of chrome and brass or chrome and gold.

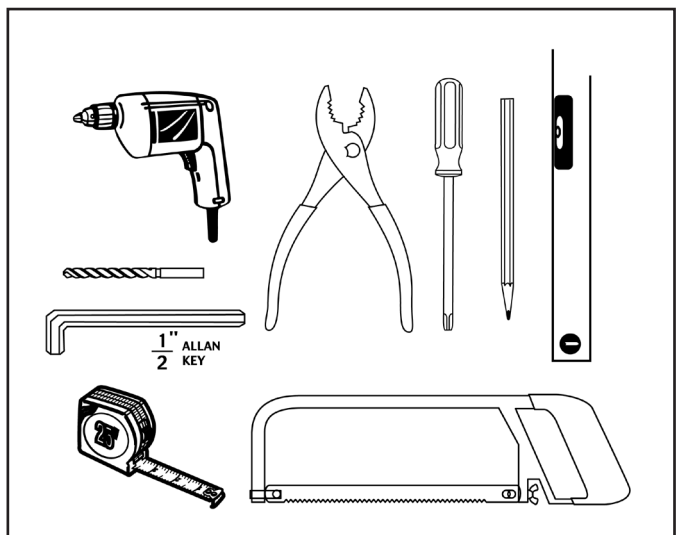
All models, regardless of size, have similar surface temperatures, which are not detrimental to towels or similar fabrics. Do not apply more than two layers of towel or similar fabric per horizontal rail. DO NOT use the lowest part as this contains the electric element and therefore becomes hotter than the others.

WARNING - DO NOT INSTALL THIS UNIT WITHIN A SHOWER OR WATER SPRAY OR WITHIN REACH OF STANDING WATER.

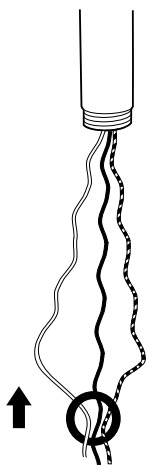
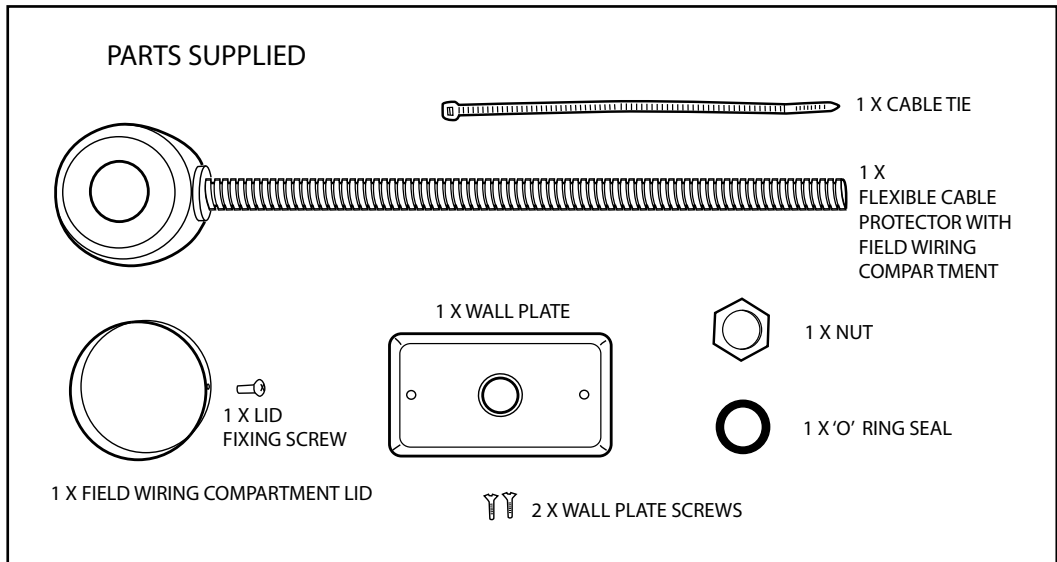
TOOLS NEEDED

Usually, the only tools required for installation are:

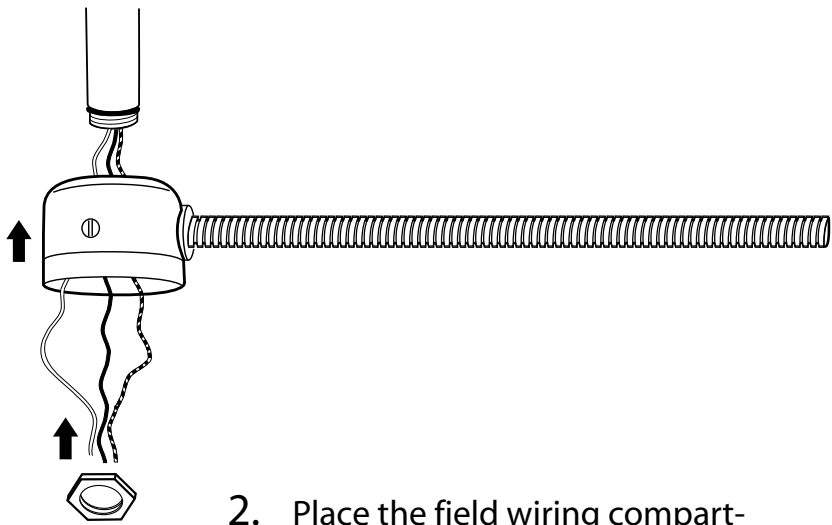
- A drill
- Suitable pliers
- A screwdriver
- A pencil or marker
- A spirit level
- A measure
- An hacksaw
- An Allan key $\frac{1}{2}$ "



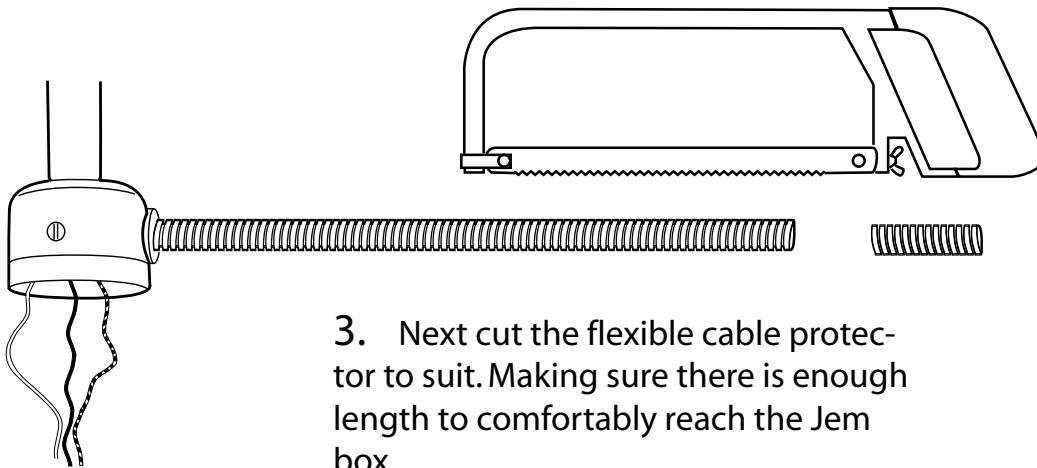
Electric connections
USA spec



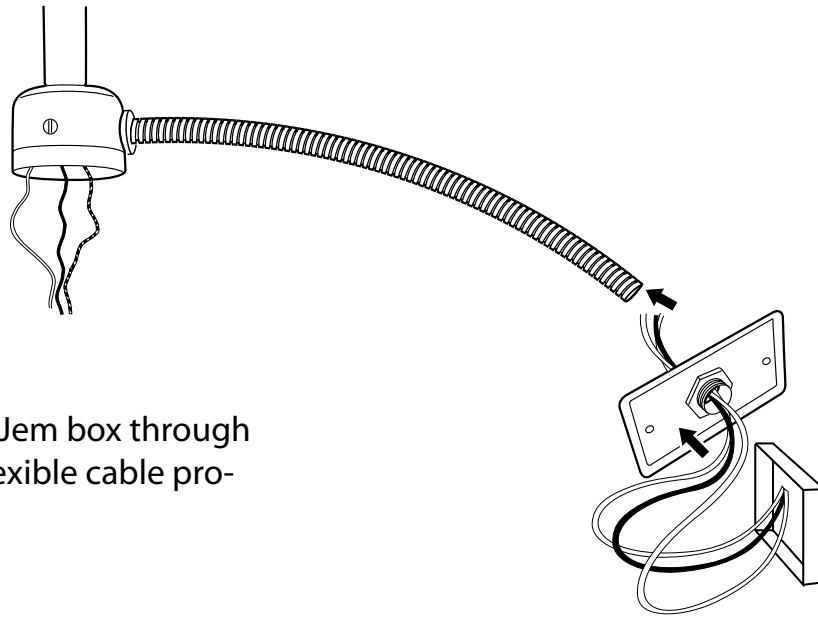
1. Place 'O' ring seal onto the element on the rail.



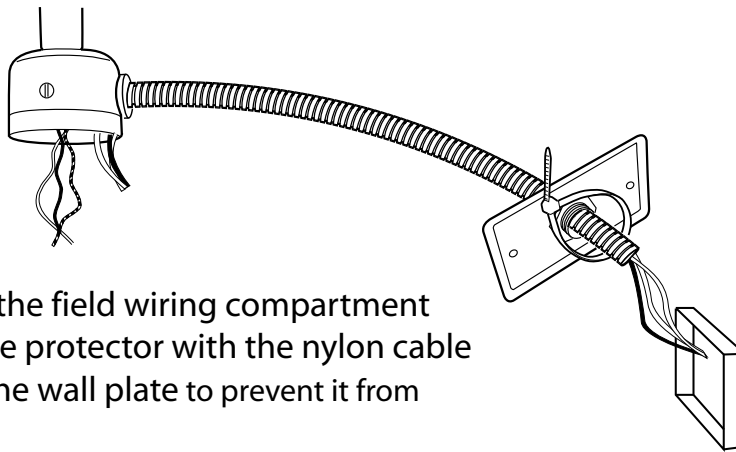
2. Place the field wiring compartment over the wires and over the element thread. Fix tightly in place with the nut provided.



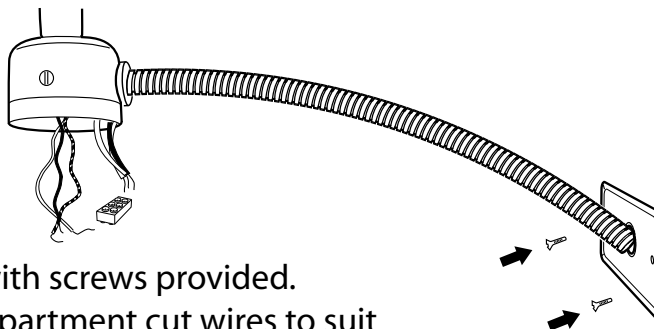
3. Next cut the flexible cable protector to suit. Making sure there is enough length to comfortably reach the Jem box.



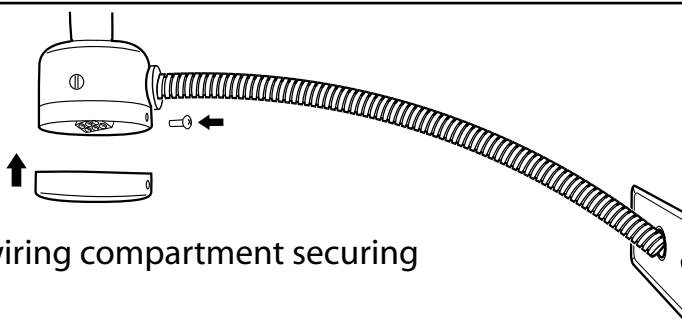
4. Push wires from Jem box through wall plate and into flexible cable protector.



5. Pull the wires into the field wiring compartment and fix the flexible cable protector with the nylon cable tie on the wall side of the wall plate to prevent it from pulling back through.



6. Fix wall plate to wall with screws provided. Inside the field wiring compartment cut wires to suit and connect using connector block.



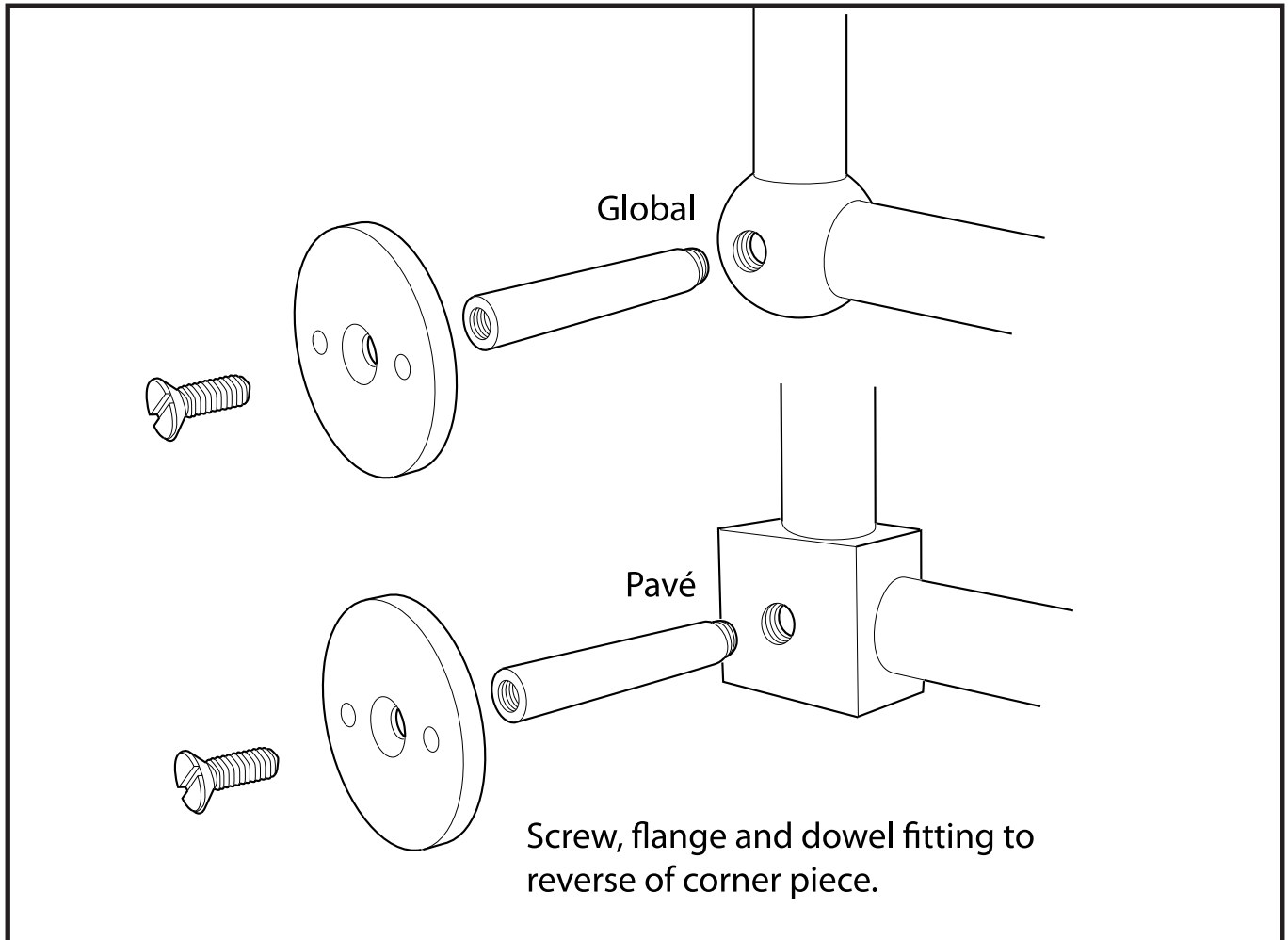
7. Fit lid to the field wiring compartment securing with screw provided.

Fixing Towel Warmer to Wall or Floor

1. Pavé and Global only

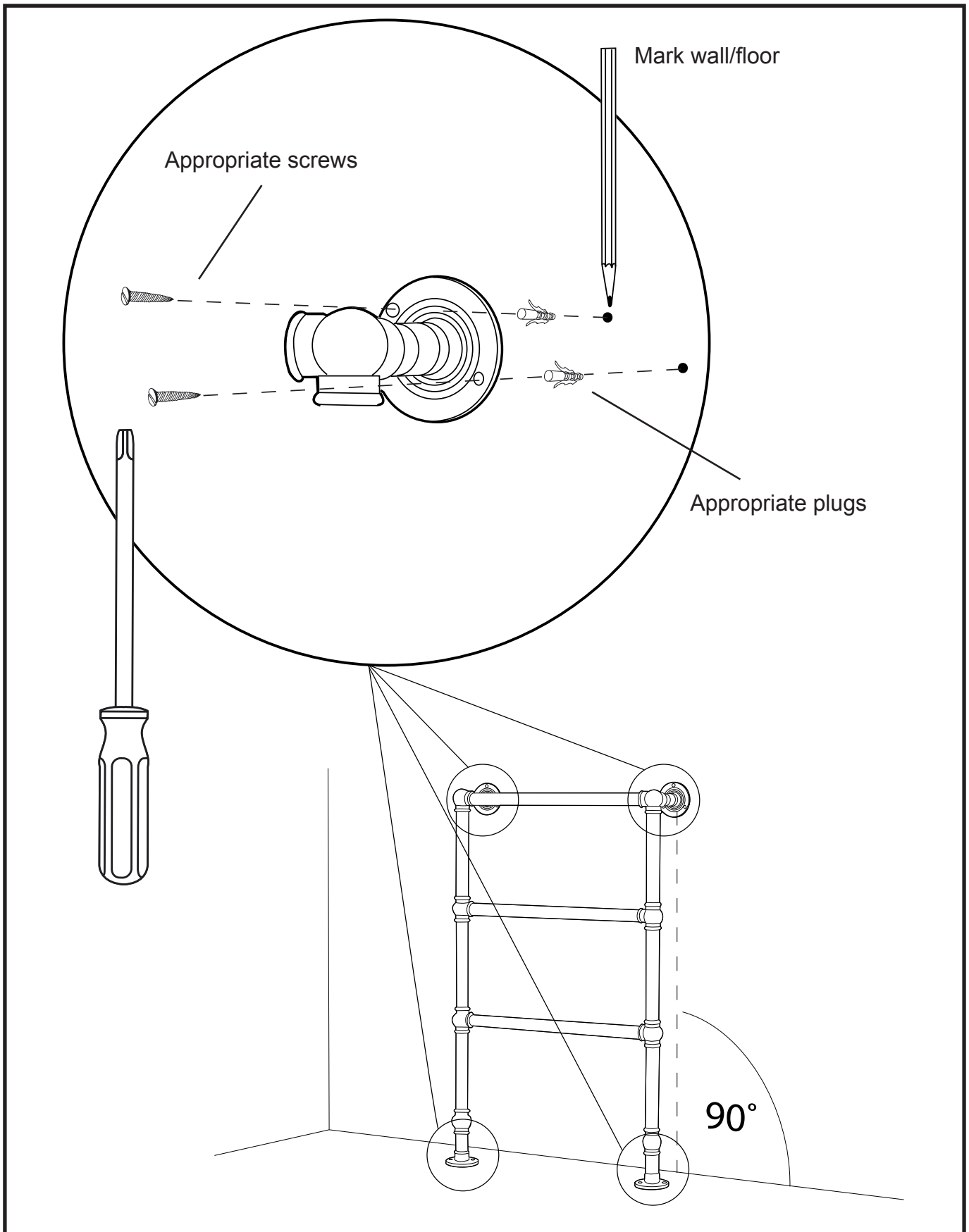
Attach the wall fixing bracket to the main frame of the towel warmer.

Screw round brass dowel into the reverse of the corner fitting, either Global ball or Pavé block. Then using screw provided, attach the wall flange to the round brass dowel. The two holes in the flange can be rotated for the convenience of the fitter and then tightened with a screwdriver. See below.



2. Pavé, Global, Baronial and Victorian

Position the rail in the chosen location and mark the wall/floor with screw positions - that is through the wall and floor flanges. Prepare appropriately and use suitable fixing plugs, e.g., suitable for plasterboard, concrete, wood etc. Then use a spirit level as necessary and fix to the wall/floor. Connect electric components as described on pages 2 and 3.



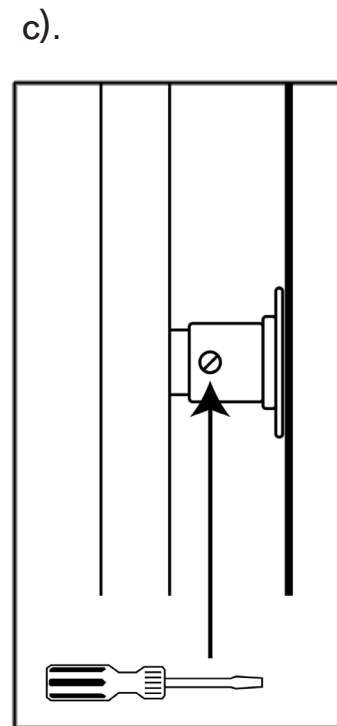
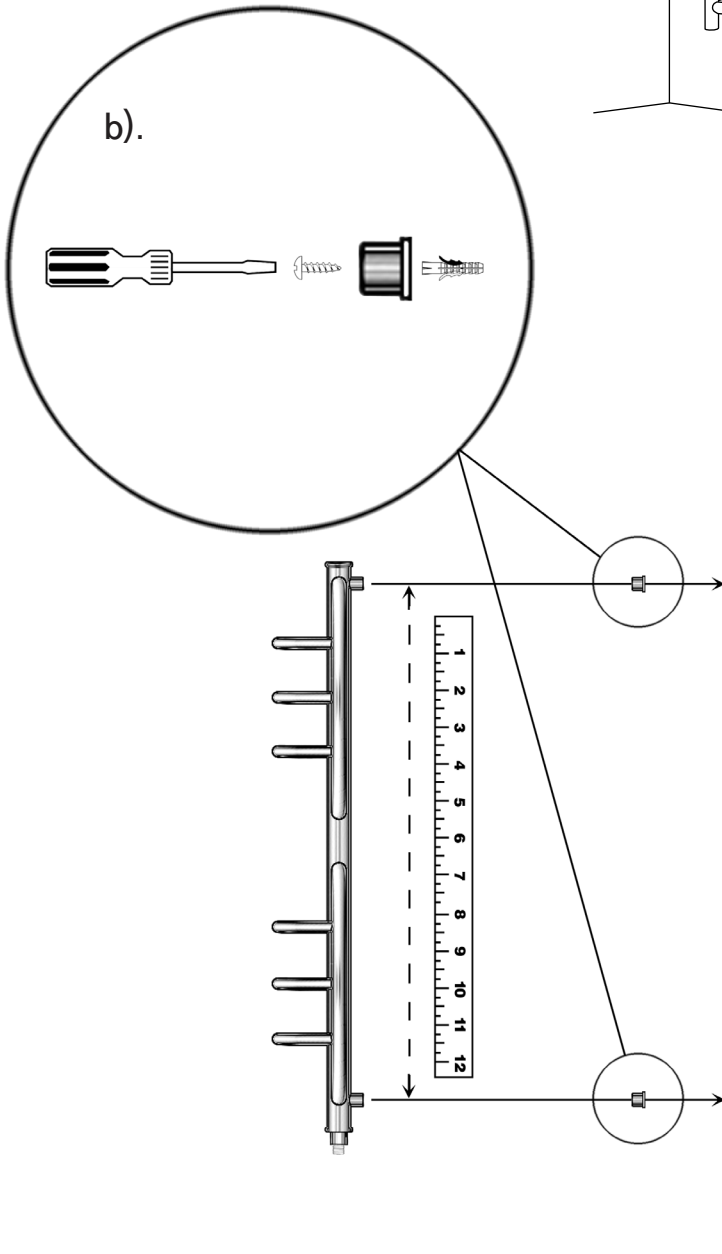
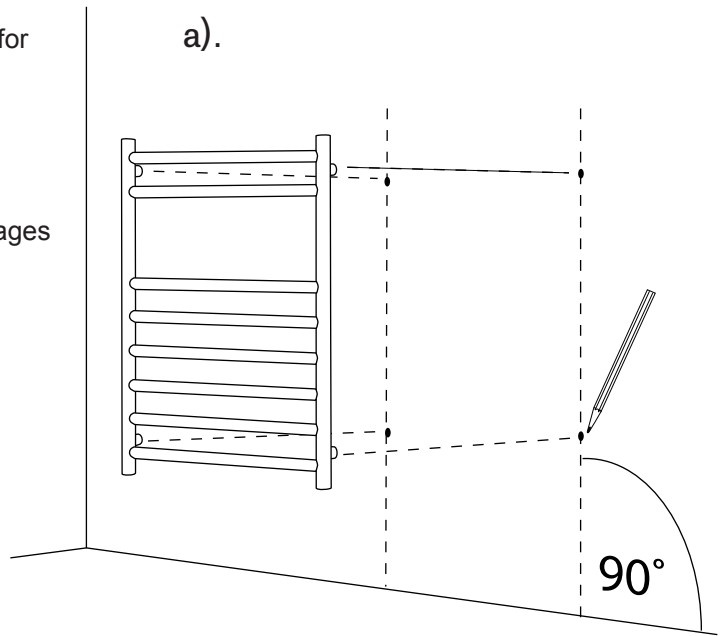
3. Futurama and Eutopia

a). Position the rail in the chosen location using a spirit level to make sure the rail is square to the wall and floor. Mark the wall/floor with screw positions.

b). Screw the cups to the wall (each cup allows for adjustment prior to final tightening).
Make sure to use suitable fixing plugs, e.g. suitable for plasterboard, concrete, wood etc.

c). Place rail into cups and fix by tightening the side screw on each cup.

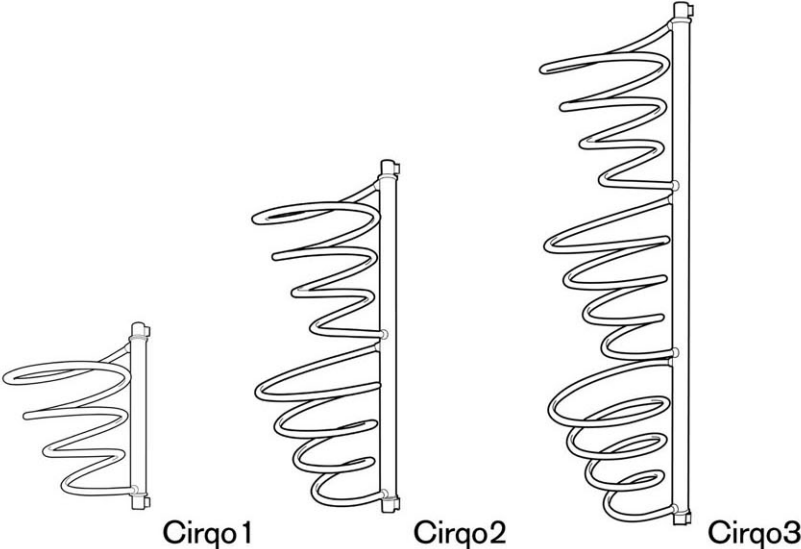
Connect the electric components as described on pages 2 and 3.



4. Cirqo

PARTS LIST ELECTRIC

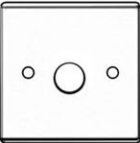
1 X MAIN RAIL



2 X FIXING CUPS



1 X ELECTRIC PLATE



1 X FLEXI-CONDUIT

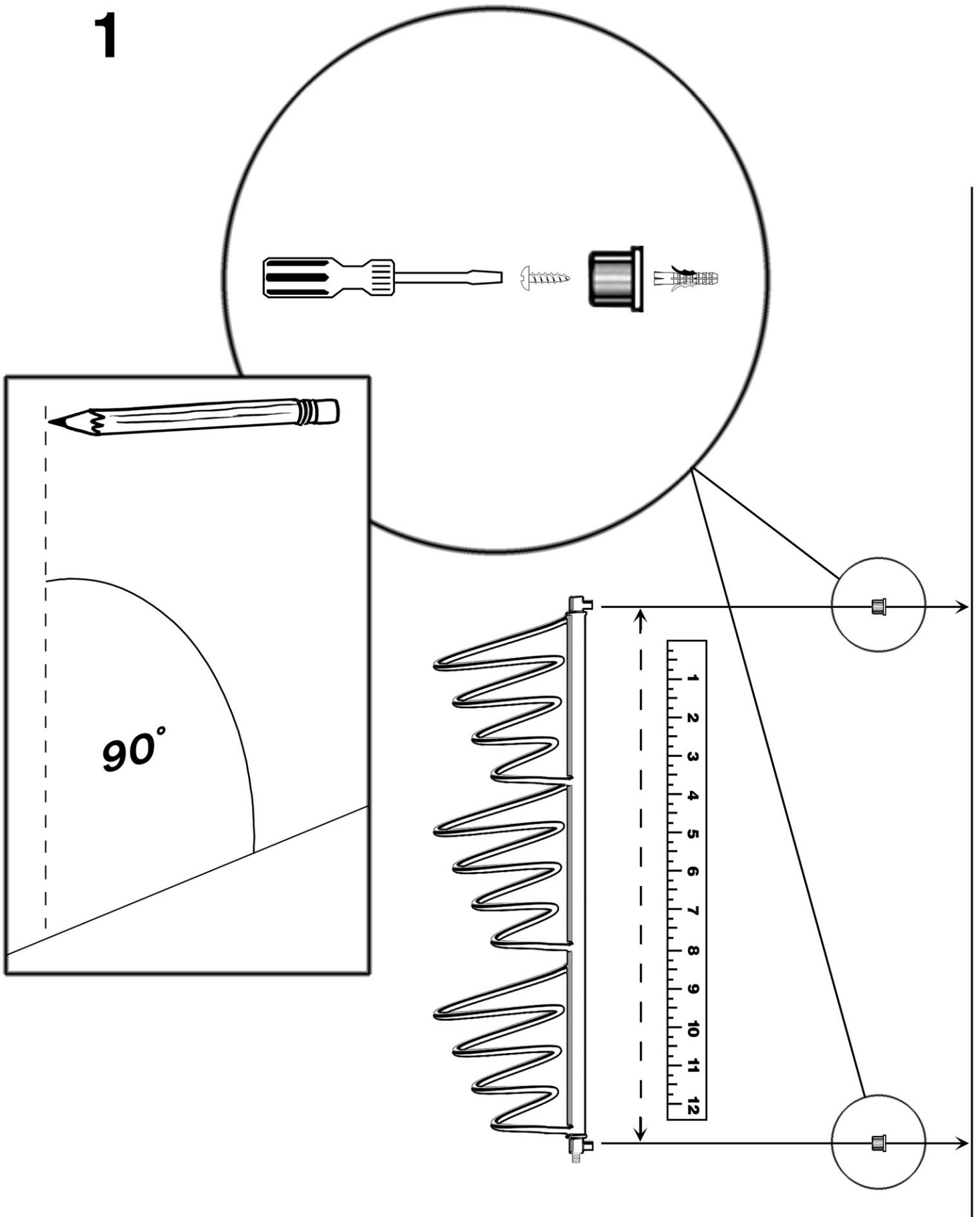


1 X CABLE TIE



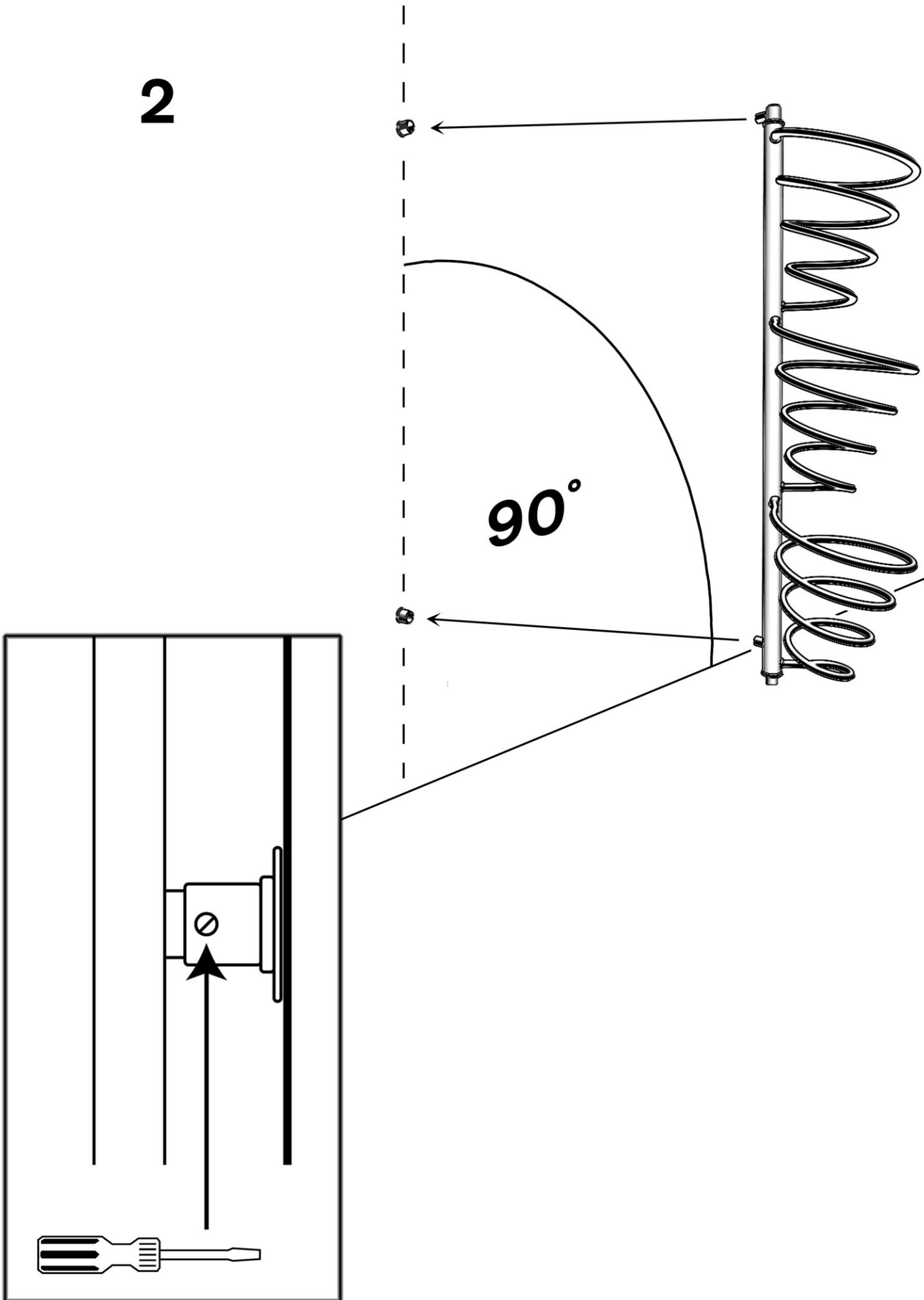
1. Position the rail in the chosen location using a spirit level to make sure the rail is square to the wall and floor. Mark the wall/floor with screw positions. Screw the cups to the wall (each cup allows for adjustment prior to final tightening). Make sure to use suitable fixing plugs, e.g. suitable for plasterboard, concrete, wood etc.

1



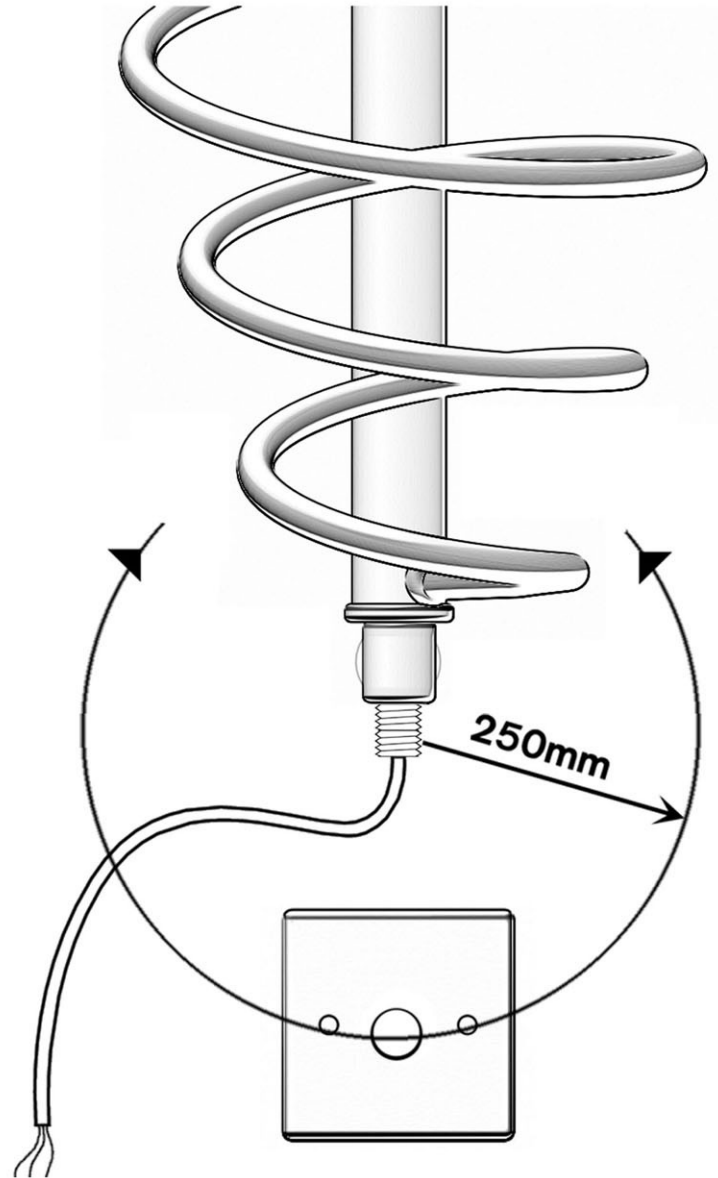
2. Place rail into cups and fix by tightening the side screw on each cup.

2



3 and 4. Connect the electric components as shown.

3

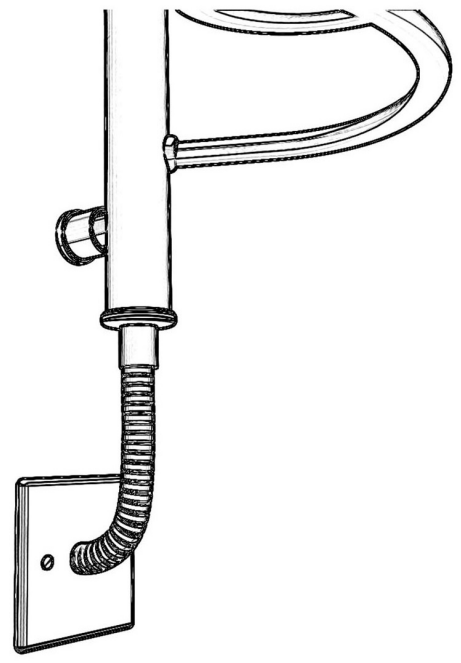
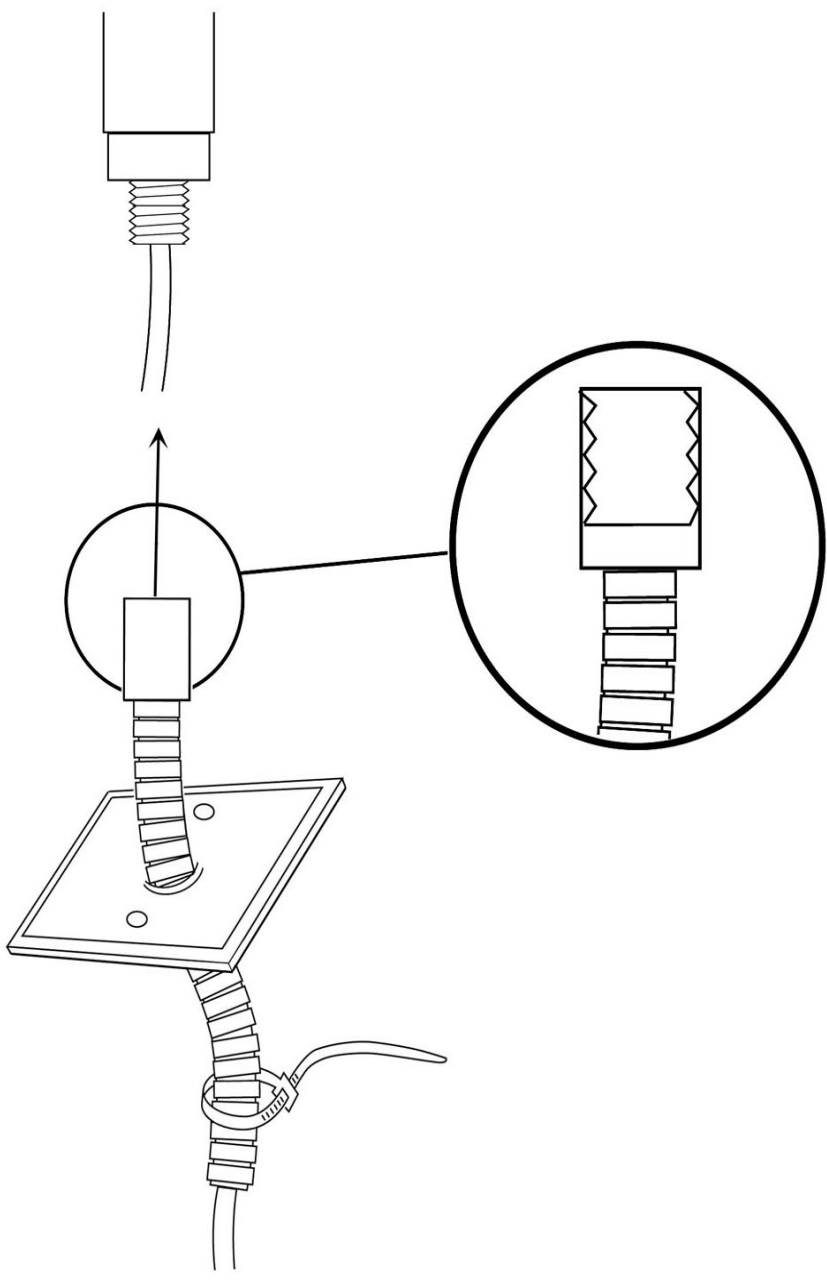
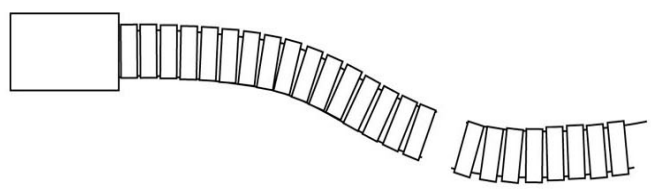
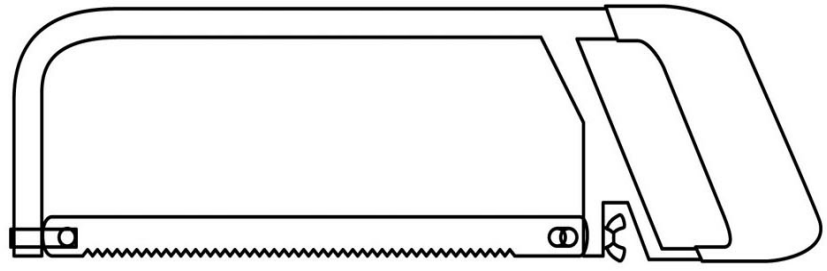


YELLOW / GREEN
EARTH

BROWN
LIVE

BLUE
NEUTRAL

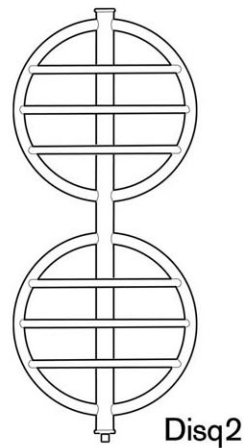
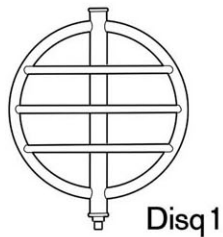
4



5. Disq

PARTS LIST ELECTRIC

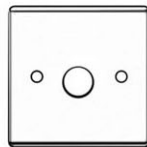
1 X MAIN RAIL



2 X FIXING CUPS



1 X ELECTRIC PLATE



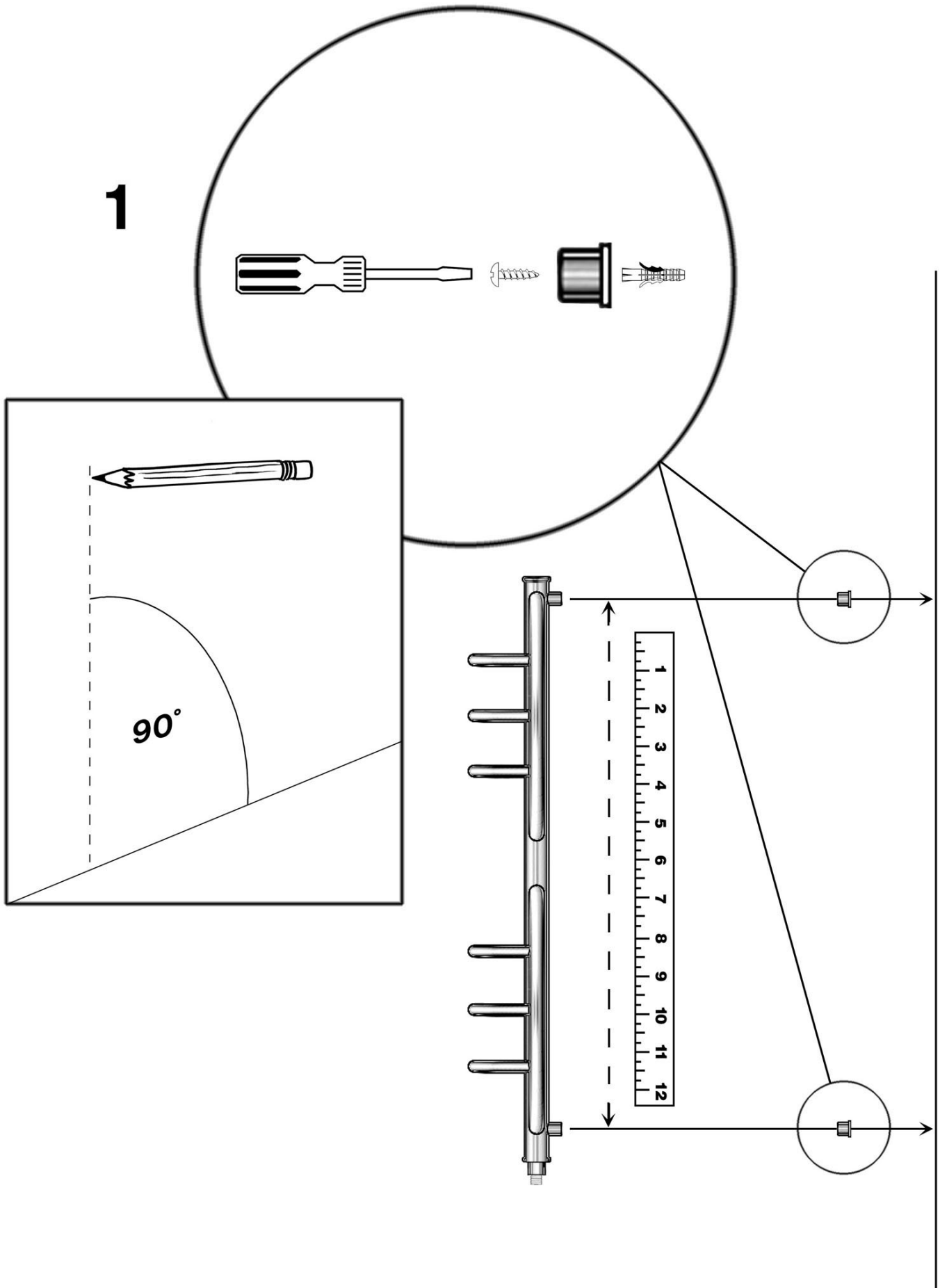
1 X FLEXI-CONDUIT



1 X CABLE TIE

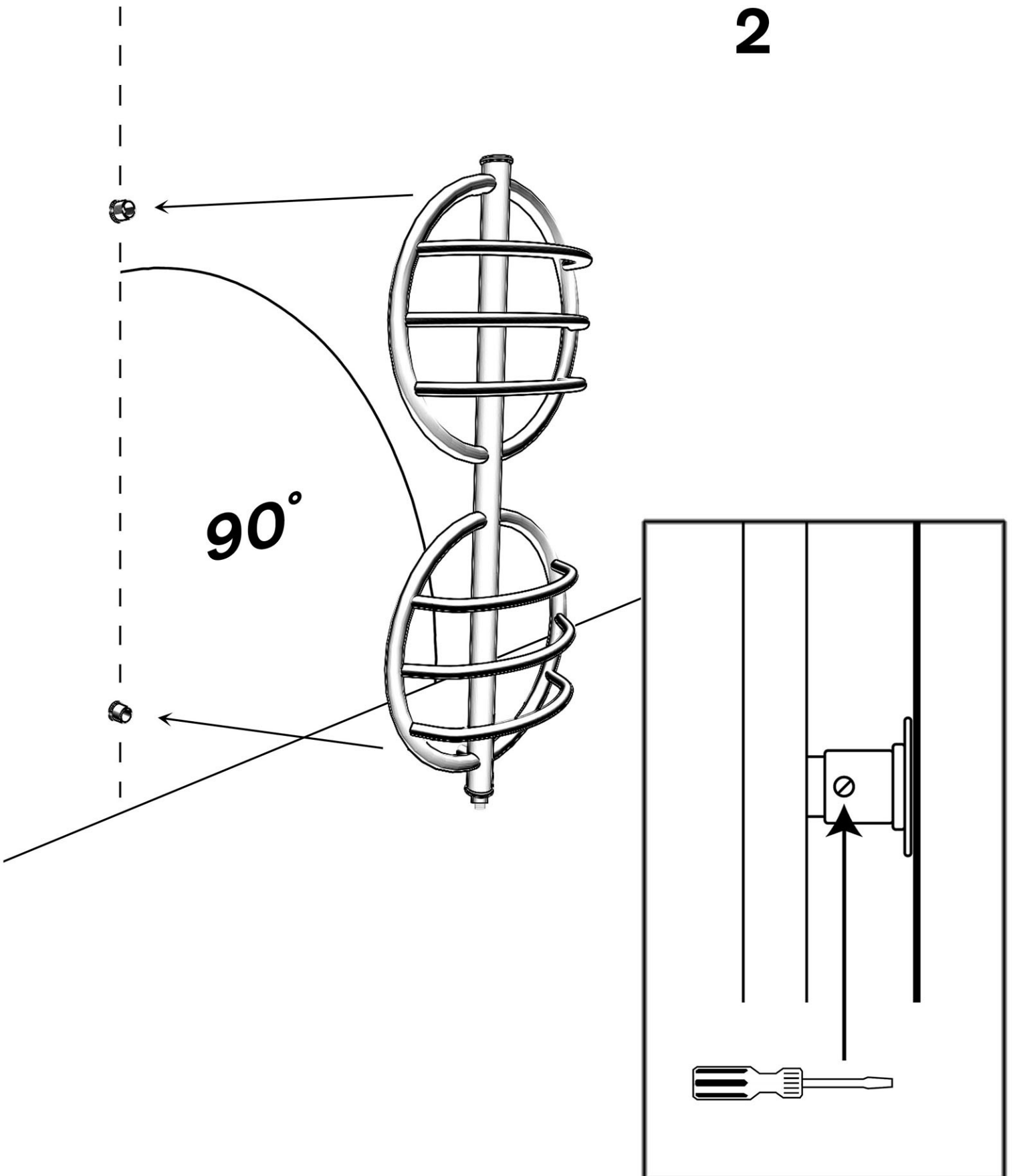


1. Position the rail in the chosen location using a spirit level to make sure the rail is square to the wall and floor. Mark the wall/floor with screw positions. Screw the cups to the wall (each cup allows for adjustment prior to final tightening). Make sure to use suitable fixing plugs, e.g. suitable for plasterboard, concrete, wood etc.



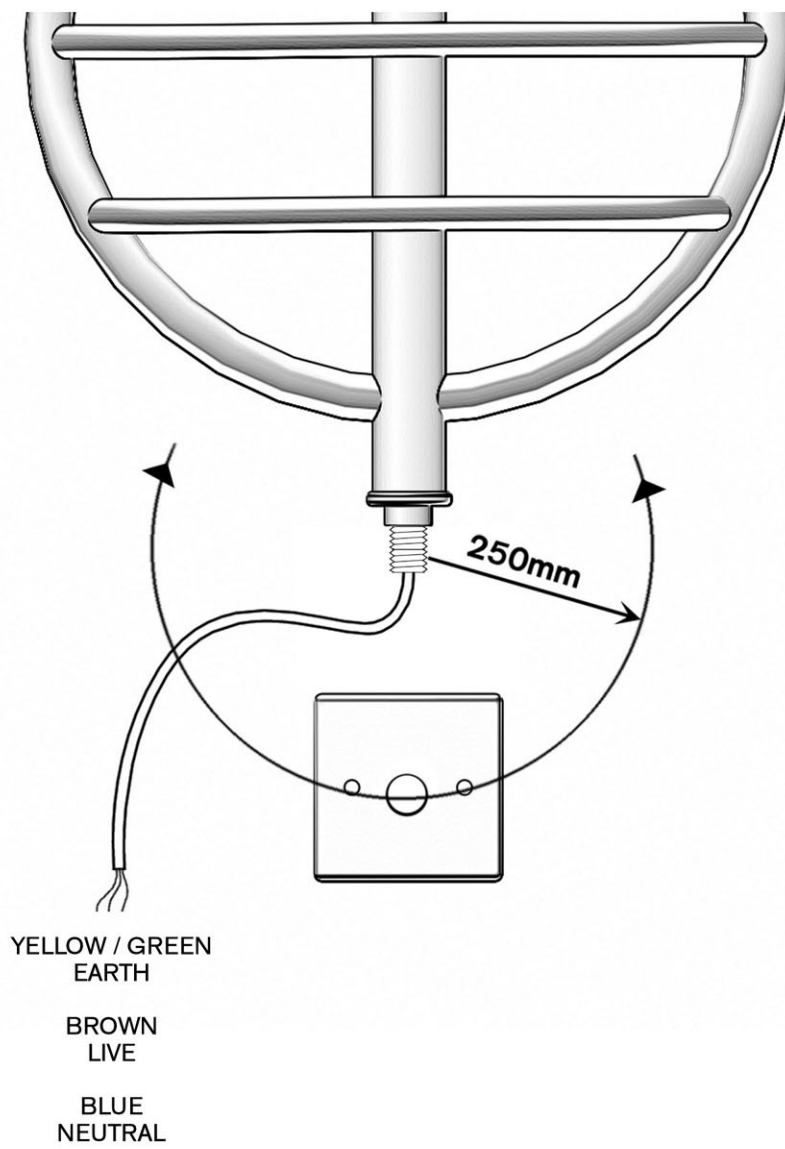
2. Place rail into cups and fix by tightening the side screw on each cup.

2



3 and 4. Connect the electric components as shown.

3



4

