

CUTTING LINE DRAWING

BC2270

INSTALLATION INSTRUCTION

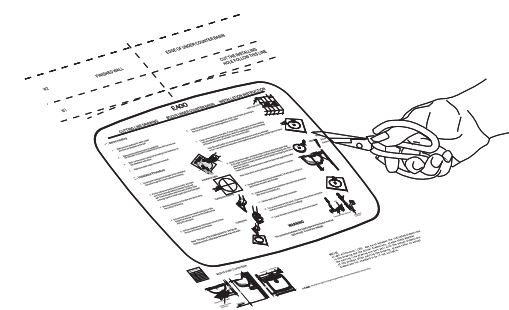
BC2270 UNDER COUNTER BASIN

一、 Before installing

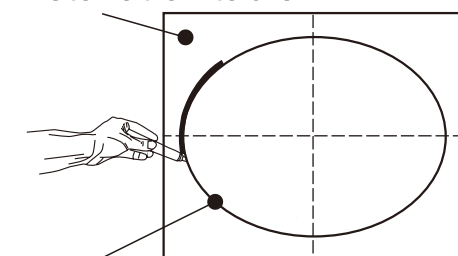
1. Make sure the pipelines for water supply and drain are prepared on the wall
2. Make sure the existing incision is suitable for the new basin if you want to replace the old one with the new one.
3. Mark out the correct cutting line according to the illustration on the installation instruction.
4. Make sure water supply has been turned off.

二、 Installation Procedure

1. Cut along the cutting line illustrated on the installation instruction to get the correct cutting line drawing.
2. Put the cutting line drawing onto the table, and make sure there is enough distance between faucet and wall. Check the space under the basin whether there is enough space to install supply pipes and drainpipes.



Installation table

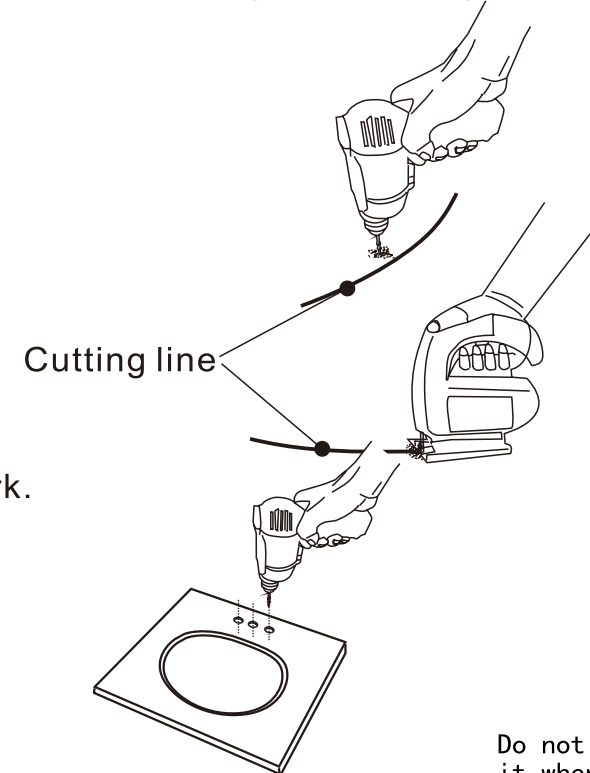


Cutting line drawing

3. Mark the cutting line on the table with pencil along the cutting line drawing.

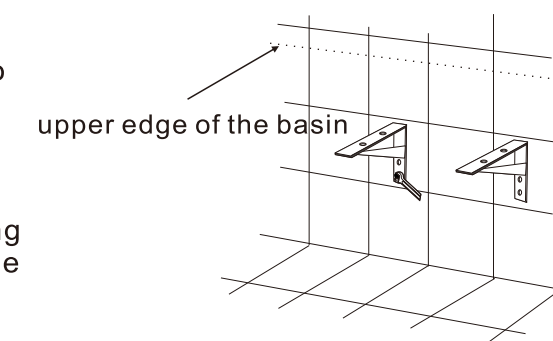
4. Drill one hole inside the marked cutting line a little distant from the line, and cut out the installing hole along the cutting line.

5. Drill the installing hole of the faucet correctly follow the size of the faucet and the table.



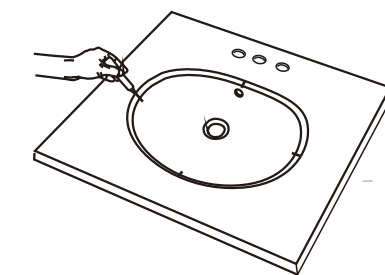
Note: The size of the installing hole for the faucet must be correct, otherwise the faucet may not work.

6. Install the metal brackets to fix and support the under counter basin according to the size of the basin and the installing position on the table.



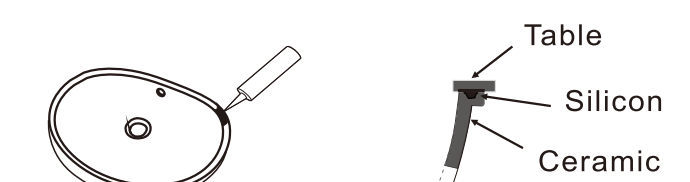
7. Clean up the sawdust on the table. Put the under counter basin onto the installing hole and adjust it to the right position. Mark the installing position along the edge of the basin with pencil on the table, then remove the basin.

Note: Be careful when you move and place the product to avoid any damages or hurt. Two persons are required to work together because the under counter basin is heavy.

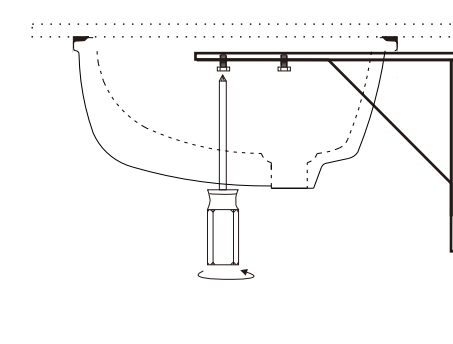


8. Check the position again, and daub a layer of silicon along the upper edge of the under counter basin. Aim the basin carefully to the installing hole, then adjust the position to make the basin and the marked line aligning and press the basin upwards. Fasten the screws of the bracket to make the basin well against the table.

Note: Daub silicon evenly with daubing knife if the silicon is uneven.



9. Scrape off the extrusive silicon immediately. Fill with silicon if there is gap between the basin and the table.

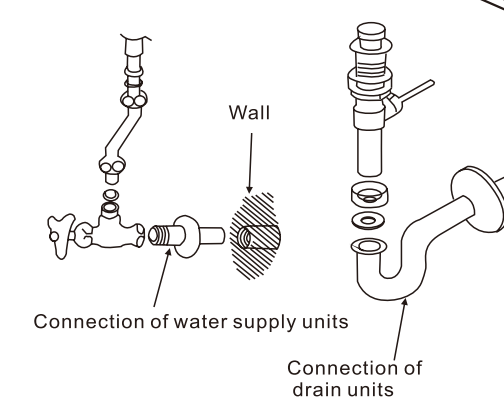


10. Install the faucet follow the installation instruction and procedure after silicon is completely dry.

11. Get the supply pipe and the drain connected.

12. Turn on the faucet and the switch. Check the units and the connection carefully to make sure there is no leakage.

13. Clean the basin and the table with uncorrosive cleaner.



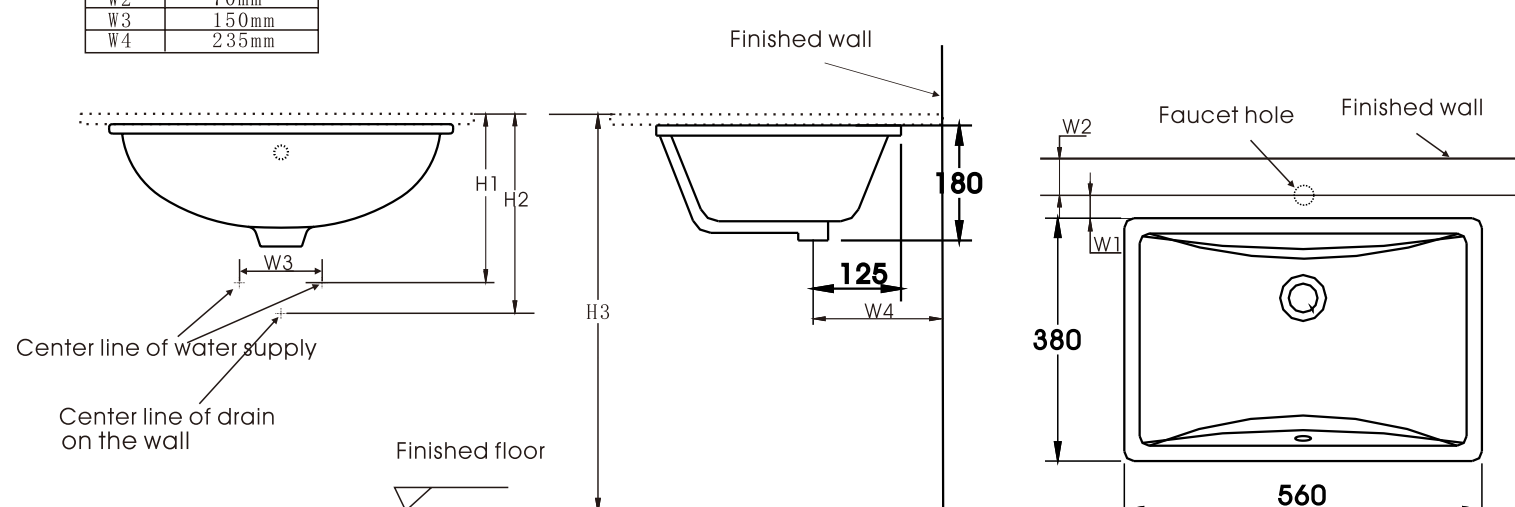
WARNING

The connection between the supply pipe and the faucet must be tight enough to avoid any leakage.

Do not use the product when the water temperature is 0°C below, please stop using it when the temperature is under 0 degree centigrade, and clean away the surplus water in it, otherwise the product will be damaged when the water icing and expanded.

BC2270

Suggestion of installing size	
H1	230mm
H2	320mm
H3	820mm
W1	40mm
W2	70mm
W3	150mm
W4	235mm



* We retain the right to change the specification and size of the product without notice.