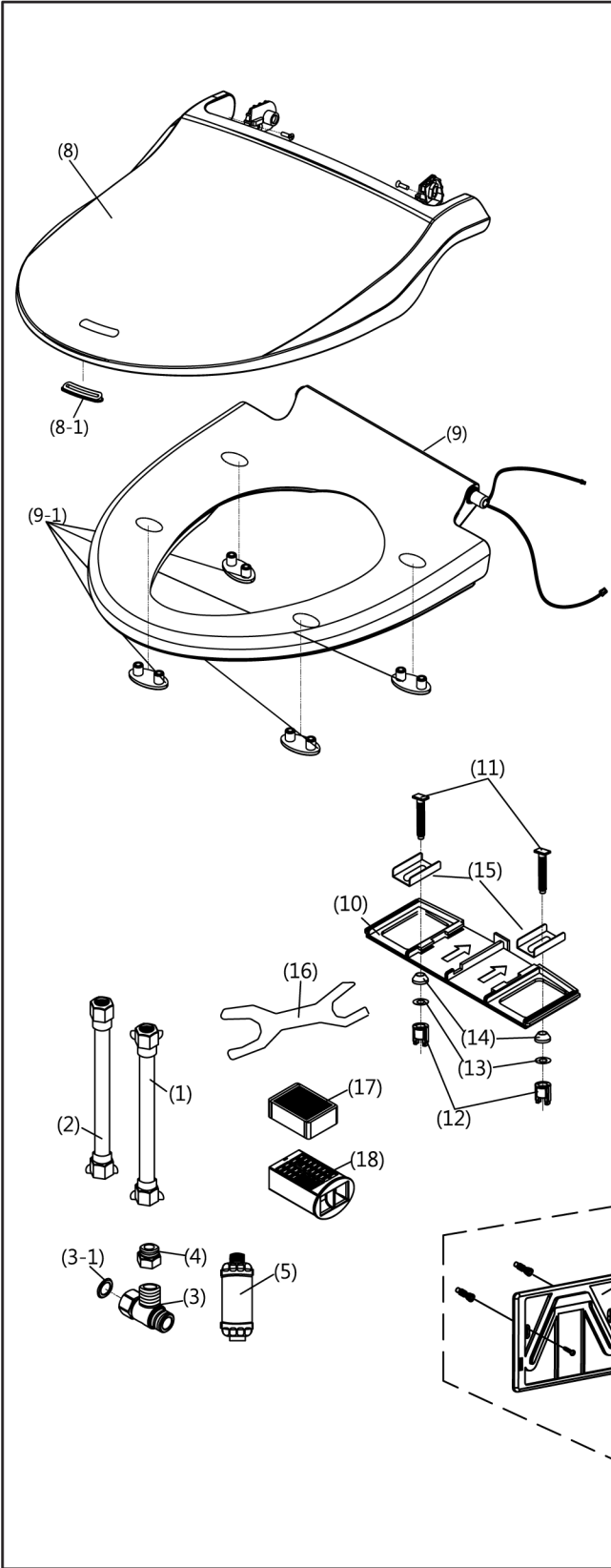


BB-800 / BB-1000

BB-800 - Round for Power Toilet Seats
 BB-1000 - Round for Power Toilet Seats
 BB-800 - Elongated for Power Toilet Seats
 BB-1000 - Elongated for Power Toilet Seats



Item	Part	Description
1	4330-0008-00	HOSE-FLEXIBLE(BIDET)
2	4330-0009-00	HOSE-FLEXIBLE(TANK)
3	4322-0002-00	T-VALVE
3-1	4082-0011-00	SPARE NUT HOLDER
4	4522-0003-00	SPARE NUT
5	4392-0006-00	WATER PURIFIER FILTER
6	8002-0114-00	REMOTE PART (BB-1000)
7	8002-0148-00	ASS'Y REMOTE HOLDER (BB-1000)
8	8002-0032-00	ASS'Y COVER SEAT
8-1	4072-0005-00	FOOT COVER
9	8012-0027-04	ASS'Y SEAT
9-1	4072-0003-00	FOOT SEAT(A)
10	4502-0003-00	CATCH PLATE
11	4512-0002-00	BOLT HOLDER
12	4522-0002-00	NUT HOLDER
13	5712-0001-00	WASHER BOLT HOLDER
14	4082-0006-00	GASKET BOLT HOLDER
15	4502-0002-00	BKT-HOLDER
16	0612-0001-00	SPANNER
17	0600-0002-00	FILTER DEODORANT
18	8012-0031-00	ASS'Y DEODORANT
19	8002-0047-00	ASS'Y CONTROL PART (BB-800)

Product Number Explanations

Seat Combo	Colors
(800s) BIO BIDET 800 Model Round	White & Beige
(800L) BIO BIDET 800 Model Elongated	
(1000s) BIO BIDET 1000 Model Round	
(1000L) BIO BIDET 1000 Model Elongated	

