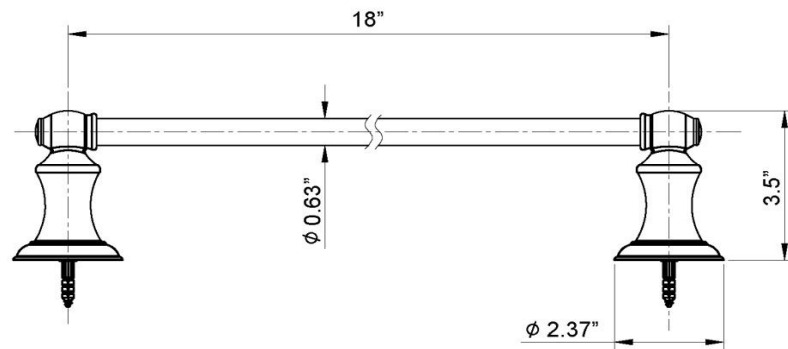
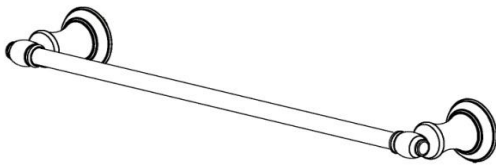


TECHNICAL DATA

#BA35 Series 18" Towel Bar



Specifications :

- * Towel Bar ~ Material : Aluminum or Steel
 - ~ Finish : Chrome / SN - Aluminum by Anodization
 - : ORB - Steel by Electro-plating
 - ~ Bar Diameter : 0.63"
- * Mounting Brackets x 2pcs ~ Material : Zinc alloy
 - ~ Finish : Chrome / SN / ORB - by Electro-plating
- * Mounting Hardware Included
 - : #10 x 1" Panhead Zinc-plated Steel Mounting Screws x 4 pcs
 - : Plastic anchor x 4 pcs



Arista Bath Hardware

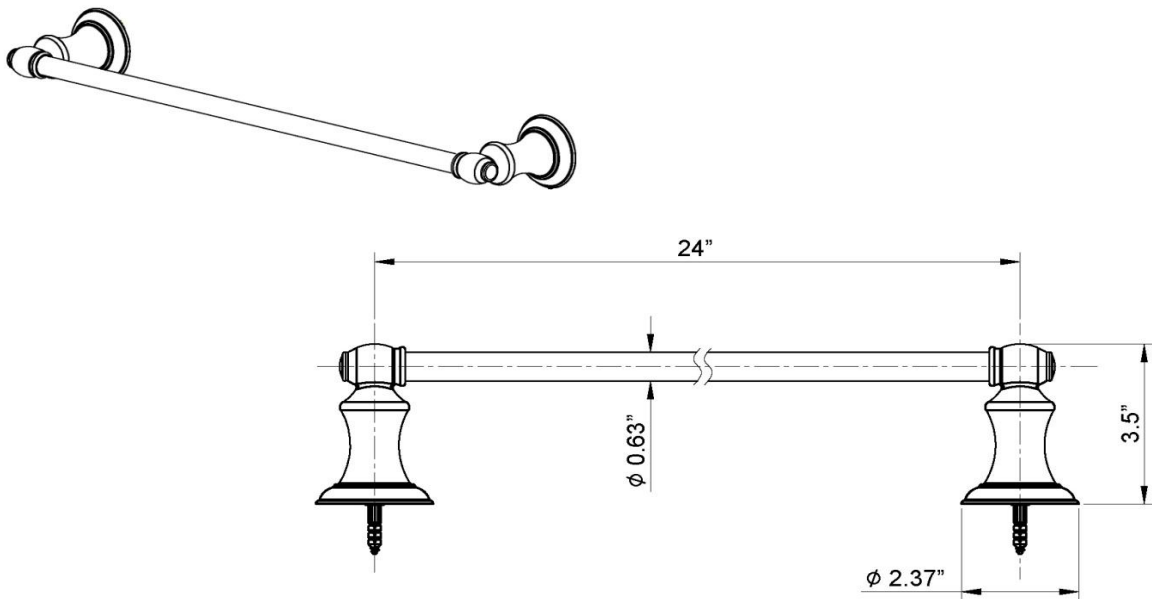
WT International Inc.

4100 CEDAR COMMERCIAL DR., CEDAR SPRINGS, MI 49319, USA



TECHNICAL DATA

#BA35 Series 24" Towel Bar



Specifications :

- * Towel Bar ~ Material : Aluminum or Steel
 - ~ Finish : Chrome / SN - Aluminum by Anodization
 - : ORB - Steel by Electro-plating
 - ~ Bar Diameter : 0.63"
- * Mounting Brackets x 2pcs ~ Material : Zinc alloy
 - ~ Finish : Chrome / SN / ORB - by Electro-plating
- * Mounting Hardware Included
 - : #10 x 1" Panhead Zinc-plated Steel Mounting Screws x 4 pcs
 - : Plastic anchor x 4 pcs



Arista Bath Hardware

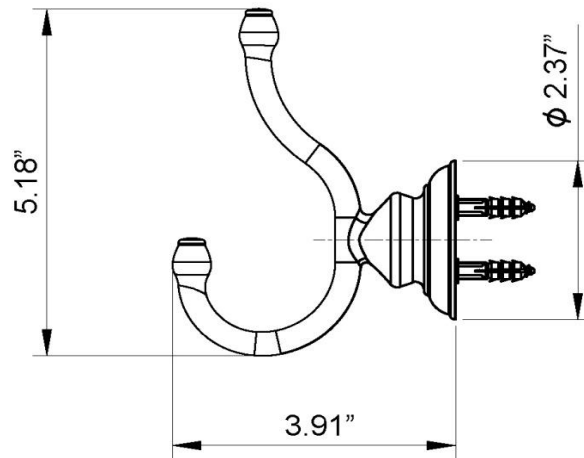
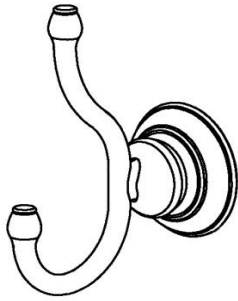
WT International Inc.

4100 CEDAR COMMERCIAL DR., CEDAR SPRINGS, MI 49319, USA



TECHNICAL DATA

#BA35 Series Robe Hook



Specifications :

- * Robe Hook (in one-piece) ~ Material : Zinc alloy
~ Finish : Chrome / SN / ORB - by Electro-plating
- * Mounting Hardware Included
 - : #10 x 1" Panhead Zinc-plated Steel Mounting Screws x 2 pcs
 - : Plastic anchor x 2 pcs



Arista Bath Hardware

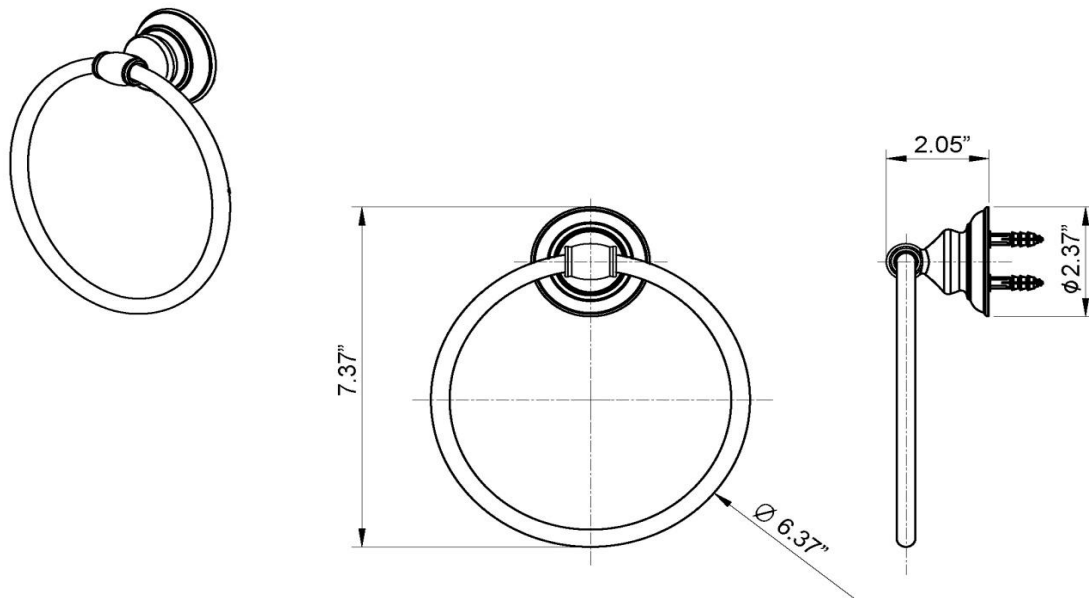
WT International Inc.

4100 CEDAR COMMERCIAL DR., CEDAR SPRINGS, MI 49319, USA



TECHNICAL DATA

#BA35 Series Towel Ring



Specifications :

- * Towel Ring ~ Material : Aluminum or Steel
 - ~ Finish : Chrome / SN - Aluminum by Anodization
 - : ORB - Steel by Electro-plating
 - ~ Ring Dia. : 7.37"
- * Mounting Bracket ~ Material : Zinc alloy
 - ~ Finish : Chrome / SN / ORB - by Electro-plating
- * Mounting Hardware Included
 - : #10 x 1" Panhead Zinc-plated Steel Mounting Screws x 2 pcs
 - : Plastic anchor x 2 pcs



Arista Bath Hardware

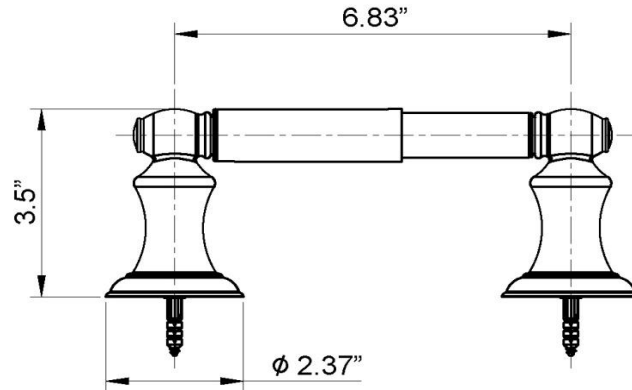
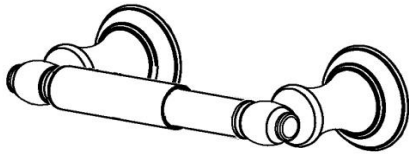
WT International Inc.

4100 CEDAR COMMERCIAL DR., CEDAR SPRINGS, MI 49319, USA



TECHNICAL DATA

#BA35 Series Tissue Paper Holder



Specifications :

- * Tissue Paper Bar ~ Material : Plastic ABS
~ Finish : Chrome / SN / ORB - by Electro-plating
- * Mounting Bracket ~ Material : Zinc alloy
~ Finish : Chrome / SN / ORB - by Electro-plating
- * Mounting Hardware Included
 - : #10 x 1" Panhead Zinc-plated Steel Mounting Screws x 2 pcs
 - : Plastic anchor x 2 pcs



Arista Bath Hardware

WT International Inc.

4100 CEDAR COMMERCIAL DR., CEDAR SPRINGS, MI 49319, USA

